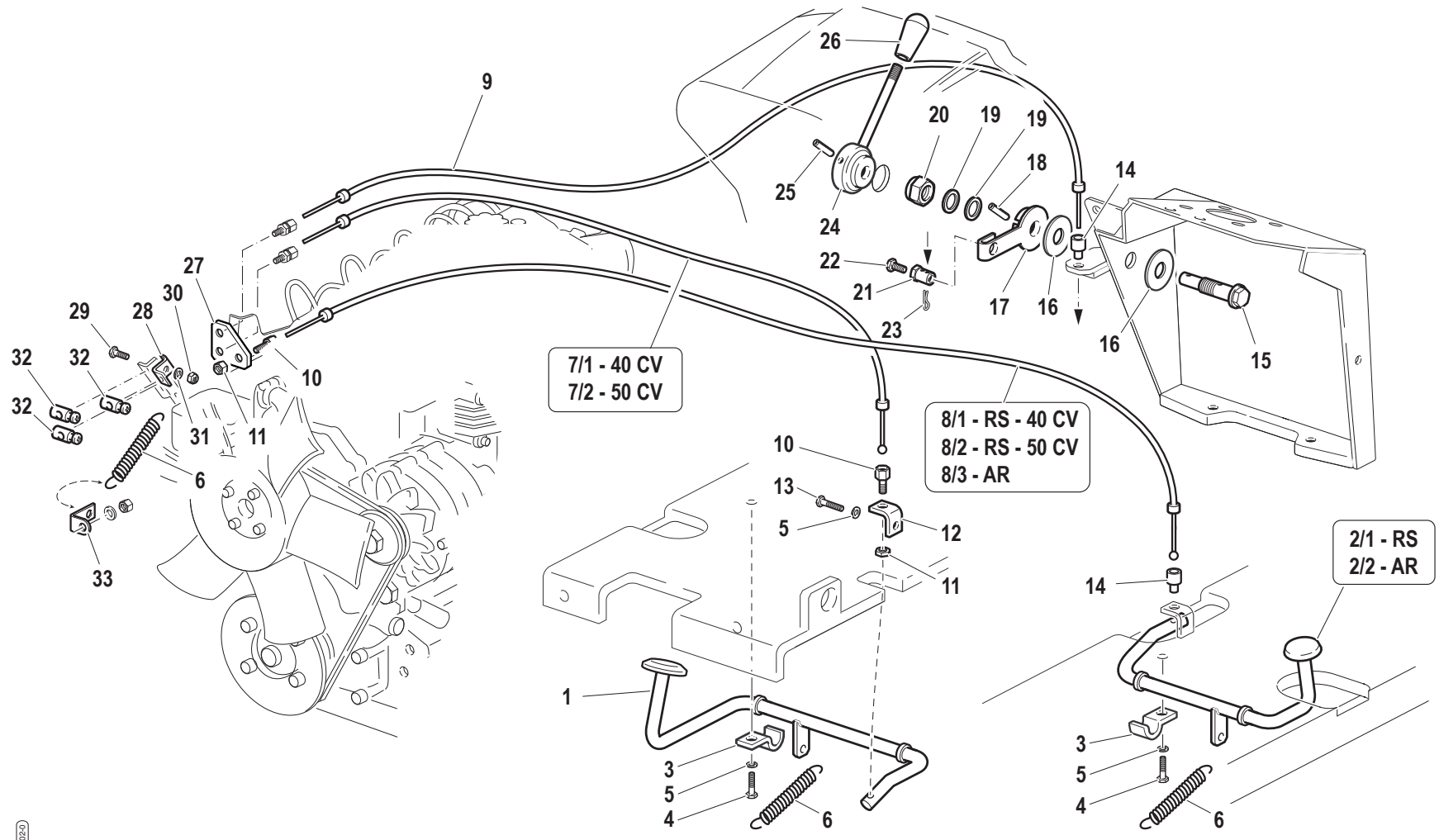


Inhoudsopgave

Nummer Index	146
Achteras Aandrijving	32
Achteras Huis	112
Dashbord	98
Differentieel Slot	36
Driepunt	78
Electrisch	48
Gaskabels Voet & Handgas	4
Hef Cilinders	56
Hydrauliek	132
Ingaande As	114
Knikstuk & Koppelingsplaat	108
Koppeling	22
Koppeling Pedalen	118
Luchtfiler	8
Motor Lombardini	88
Motorkap	12
PTO	38
PTO Schakeling	42
PTO / Diff. Hydraulische inst.	44
Radiator & Slangen	92
Remmen	24
Rolbeugel	14
Rem Pedalen	26
Schakelpoken & Gaffels	128
Spatschermen	94
Stickers	16
Tandwielen	120
Tank	10
Trekhaak	84
Vooras Huis	18
Vooras Aandrijving	20
Wiel Eindvertraging	34
Wielen & Banden	142
Zitting	102
Zitting Draaisysteem	106

Code	Description	Notes
A0202_0_2373	ACCELERATOR CONTROLS	
A0401_0_2427	AIR FILTER	
A0501_0_2443	FUEL TANK	
B0101_0_2468	BODY	
B0301_0_2700	ROLLBARS	
B0401_0_2718	PLATES	
C0102_0_2927	FRONT AXLE	
D0102_0_3082	FRONT TRANSMISSION	
D0201_0_3112	FRIZIONE CLUTCH	
D0401_0_3186	BRAKES	
D0504_0_3313	BRAKE CONTROL UNITS	
D0801_0_3420	COUNTERSHAFT AND CORRESPONDING GEARS	
D1001_0_3471	REAR TRANSMISSION	
D1102_0_3525	LATERAL REDUCTION GEARS	
D1202_0_3587	DIFFERENTIAL GEAR LOCK (WITH ELECTROHYDRAULIC CONTROL)	
D1401_0_3649	POWER TAKE-OFF WITH INDEPENDENT CLUTCH	
D1402_0_3708	INDIPENDENT CLUTCH - POWER TAKE-OFF CONTROLS	
D1501_0_3724	P.T.O. WITH INDEPENDENT CLUTCH - DIFFERENTIAL GEAR LOCK WITH ELECTROHYDRAULIC CO	
E0101_0_3772	FRONT ELECTRICAL SYSTEM	
E0201_0_3784	ENGINE ELECTRIC SYSTEM	
F0104_0_3949	STEERING HYDRAULIC SYSTEM	
G0101_0_3995	HYDRAULIC LIFT	
G0302_0_4169	ONE ADDITIONAL CONTROL VALVE FOR "AR"	
G0303_0_4180	TWO OR THREE ADDITIONAL CONTROL VALVES FOR "AR"	
H0101_0_4286	ELECTRONIC CONTROL LIFT (LIFT SUPPORT)	
H0202_0_4405	ELECTRONIC CONTROL LIFT (HYDRAULIC SYSTEM)	
H0302_0_4484	1 OR 2 ADDITIONAL CONTROL VALVES FOR "AR" WITH ELECTR. LIFT	
H0401_0_4504	ELECTRONIC CONTROL LIFT (ELECTRICAL SYSTEM)	
I0102_0_4552	AUXILIARY CONTROL VALVES FOR "AR"	
L0201_0_4601	ATTACHMENT HITCH (BASIC VERSION)	
L0202_0_4630	ATTACHMENT HITCH (VARIANT)	
L0203_0_4662	ATTACHMENT HITCH (STRAIGHT ARMS VERSION)	
L0301_0_4690	ATTACHMENT HITCH (DRAWBAR "A" CAT. VERSION)	
L0302_0_4700	ATTACHMENT HITCH (DRAWBAR "EEC" TYPE APPROVED VERSION)	

Code	Description	Notes
A0101_1_63226	ENGINE (40 CV)	Power: 40 CV
A0102_1_63249	ENGINE (50 CV)	Power: 50 CV
A0301_1_63276	RADIATOR	
B0204_1_63633	MUD-GUARDS AND FLOOR BOARDS	
B0501_1_42781	DASHBOARD AND STEERING WHEEL	
B0602_0_63791	SEAT "GT60-M91"	
B0604_0_63758	SEAT (KAB P1)	
B0703_1_65989	SEAT CONNECTION	
C0202_2_64535	INTERMEDIATE SECTION	
C0302_1_72740	REAR AXLE	
D0203_1_43188	CLUTCH/INPUT SHAFT : POWER TAKE-OFF WITH INDEPENDENT	
D0203_2_72897	CLUTCH/INPUT SHAFT : POWER TAKE-OFF WITH INDEPENDENT	
D0302_1_43271	TRANSMISSION CLUTCH CONTROLS	
D0601_2_72925	INPUT SHAFT AND GEARS (SYNCHRONIZED REVERSER)	
D0701_2_72962	SECONDARY SHAFT GEARS	
D0801_1_72999	COUNTERSHAFT AND CORRESPONDING GEARS	
D0901_2_72753	CHANGE GEAR CONTROLS	
E0302_1_65057	REAR ELECTRICAL SYSTEM	
G0202_1_65175	HYDRAULIC SYSTEM	
M0101_1_65511	POSITION AND DRAFT CONTROL LIFT	
W0101_0_65465	WHEELS AND TYRES	



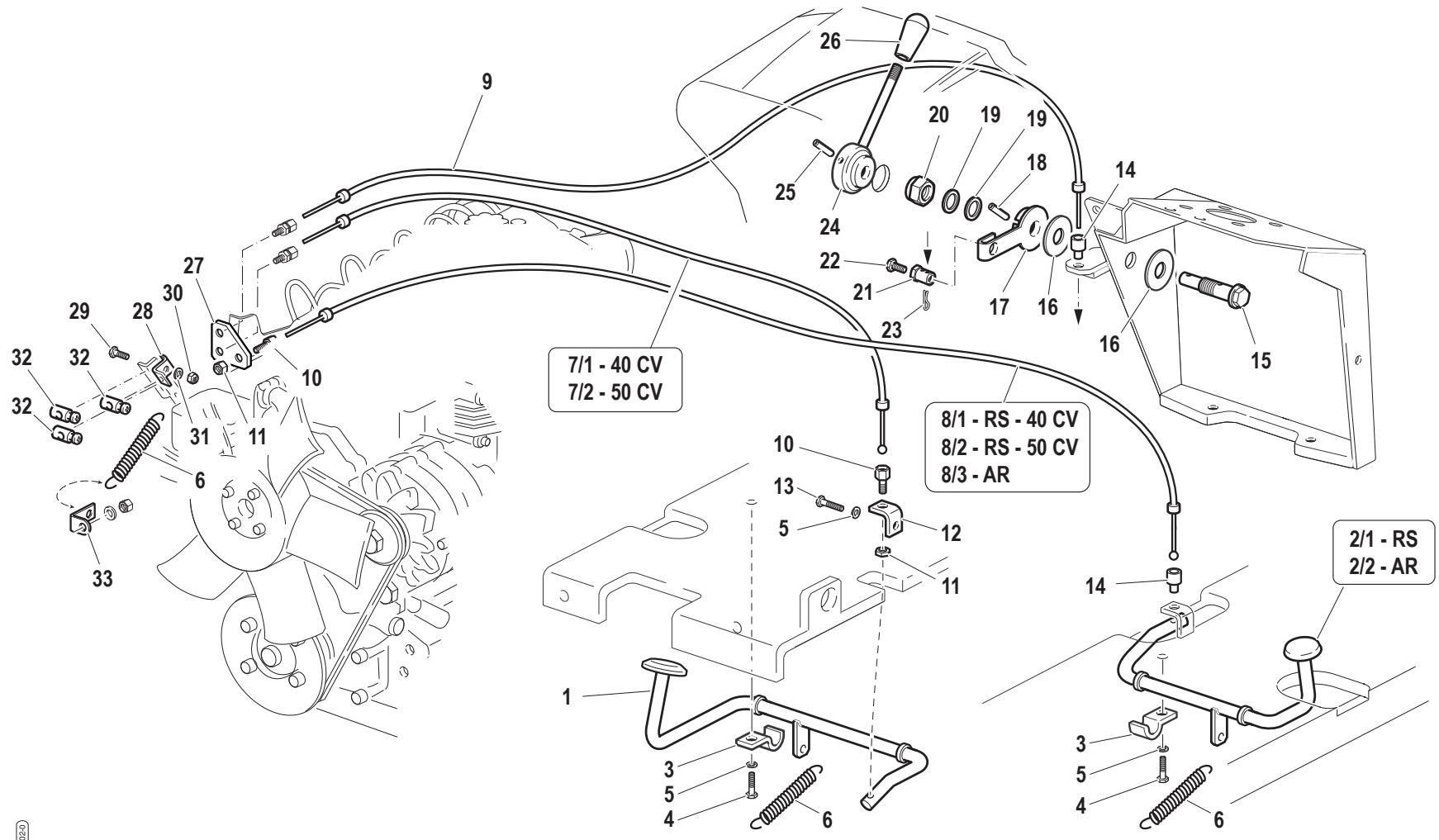
Pos.	Code	Q.ty	Description	Notes
1	59074303	0	ACCEL. PEDAL	
2/1	59074354	0	ACCEL. PEDAL	
2/2	59074355	0	ACCEL. PEDAL	
3	56071768	0	PLATE	
4	31112148	0	SCREW TE M8X18 UNI 5739 8G	
5	F0843643060	0	WASHER 8	
6	F0831125000	0	SPRING	
7/1	58071375	0	CABLE	
7/2	58072074	0	CABLE	
8/1	58074420	0	CABLE	
8/2	58074421	0	CABLE	
8/3	58074690	0	CABLE	
9	58073167	1	CABLE	
10	F0858021000	0	REGISTER	
11	31231080	0	NUT M8	
12	56173211	0	PLATE	
13	31112150	0	SCREW TE M8X20 UNI 5739 8G	
14	56170491	0	STOP	
15	59070422	0	PIN	
16	58170420	0	CLUTCH DISC	
17	59070421	0	LEVER	
18	34213035	0	ROLL PIN	
19	F0843927050	0	SPRING WASHER 14	
20	31241142	0	SELFLOCK NUT M14x1,5	
21	56170419	0	PIN	
22	31112090	0	SCREW TE M6X16 UNI 5739 8G	
23	F0810505010	0	SPLIT PIN A2,0X201336	
24	59070423	0	ACCELERATOR LEVER	
25	F0851159050	0	PIN 4X40 DIN 1481 CL:C72	
26	P29533200000	0	GRIP	
27	59074357	0	BRACKET	
28	56174358	0	BRACKET	
29	F0862479035	0	SCREW M6X16 7380	
30	31211060	0	NUT M6	

SERIAL

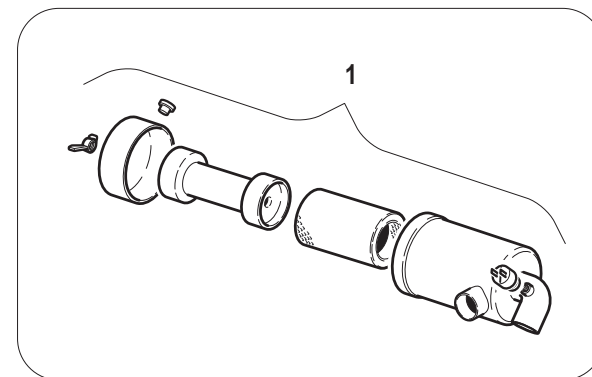
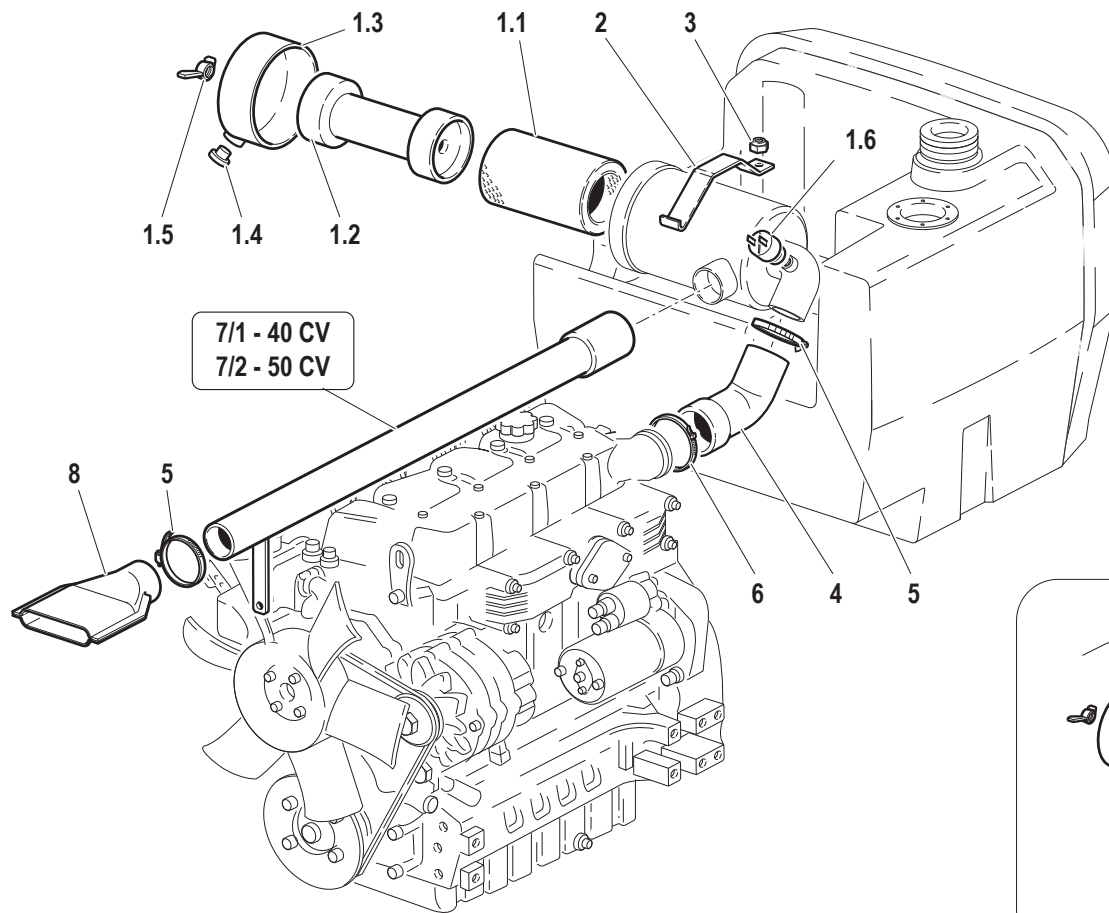
ACCELERATOR CONTROLS

CODE REV

A0202_0_2373



Pos.	Code	Q.ty	Description	Notes
31	F0843570000	0	WASHER 6	
32	58048002	0	CLAMPING SCREW	
33	56173210	0	PLATE	



Pos.	Code	Q.ty	Description	Notes
1	58171749	0	AIR FILTER	
1.1	58172773	0	AIR FILTER CARTRIDGE	
1.2	59900144	0	FILTER INSERT	
1.3	59900145	0	COVER	
1.4	59900146	0	VALVE	
1.5	59900147	0	WINGNUT	
1.6	58171029	0	INDICATOR	
2	56171760	0	FIXING BRACKET	
3	F0814585000	0	SELFLOCK NUT M8	
4	55171751	0	SLEEVE	
5	F0817568000	0	CLAMP	
6	F0817568100	0	CLAMP	
7/1	59074279	0	PIPE	
7/2	59074308	0	PIPE	
8	57371825	0	SOCKET	

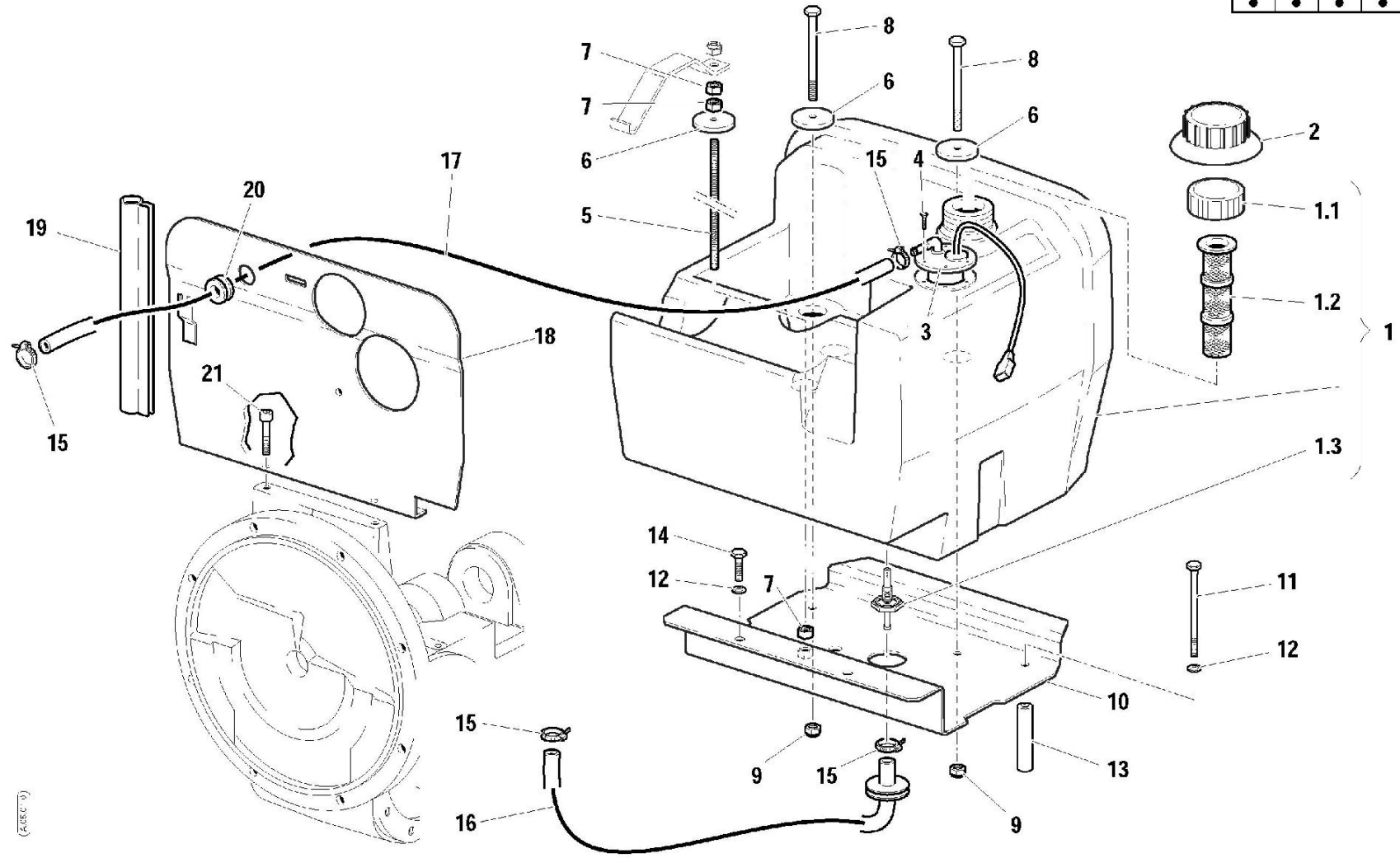


SERBATOIO CARBURANTE
 FUEL TANK
 RESERVOIR A CARBURANT
 KRAFTSTOFF BEHÄLTER
 DEPOSITO CARBURANTE

Tavola **A.05.01** Rev. **0** 11/2001

1/1

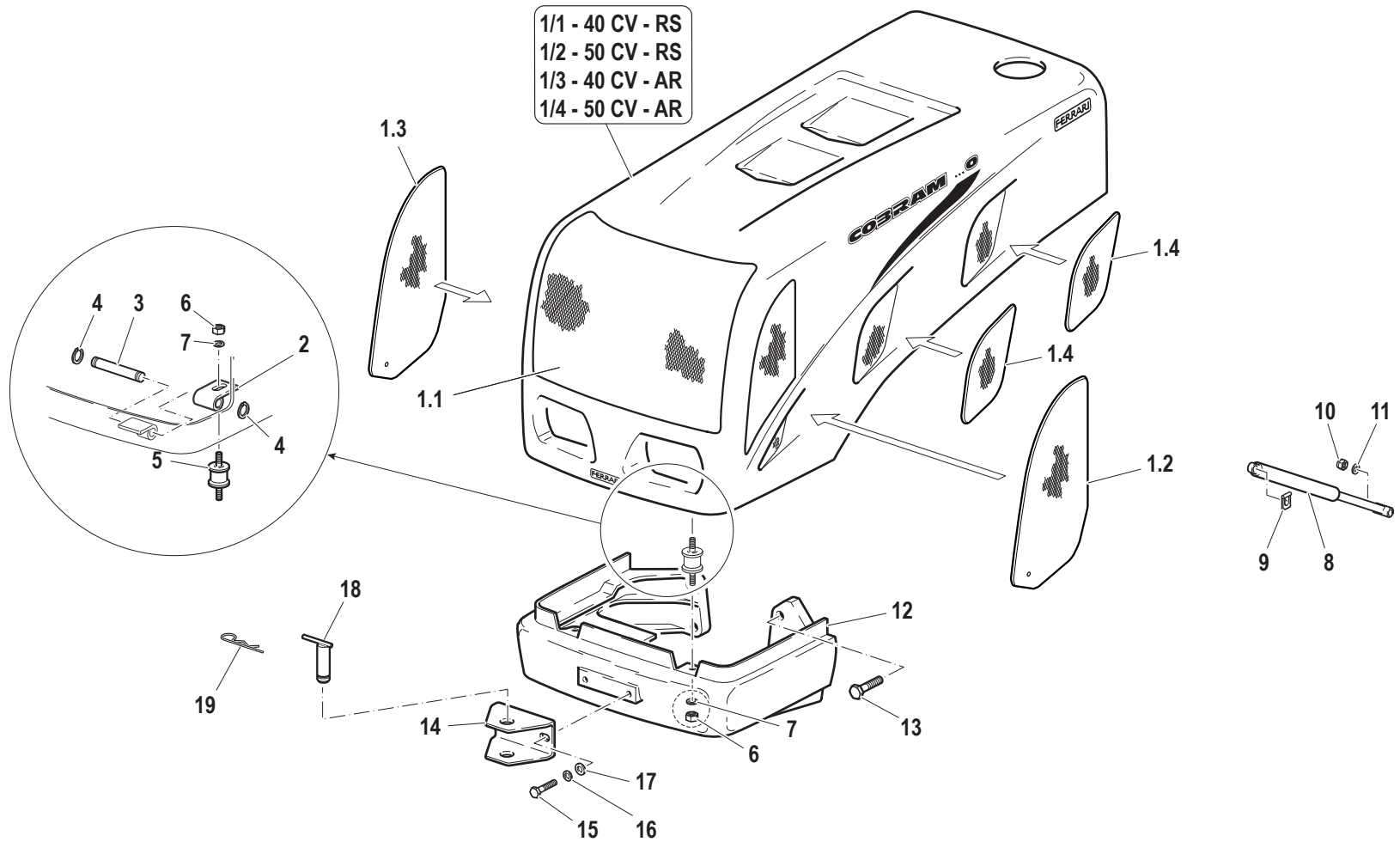
RS-M	RS-R	AR-M	AR-R
•	•	•	•



(A.B.C.)

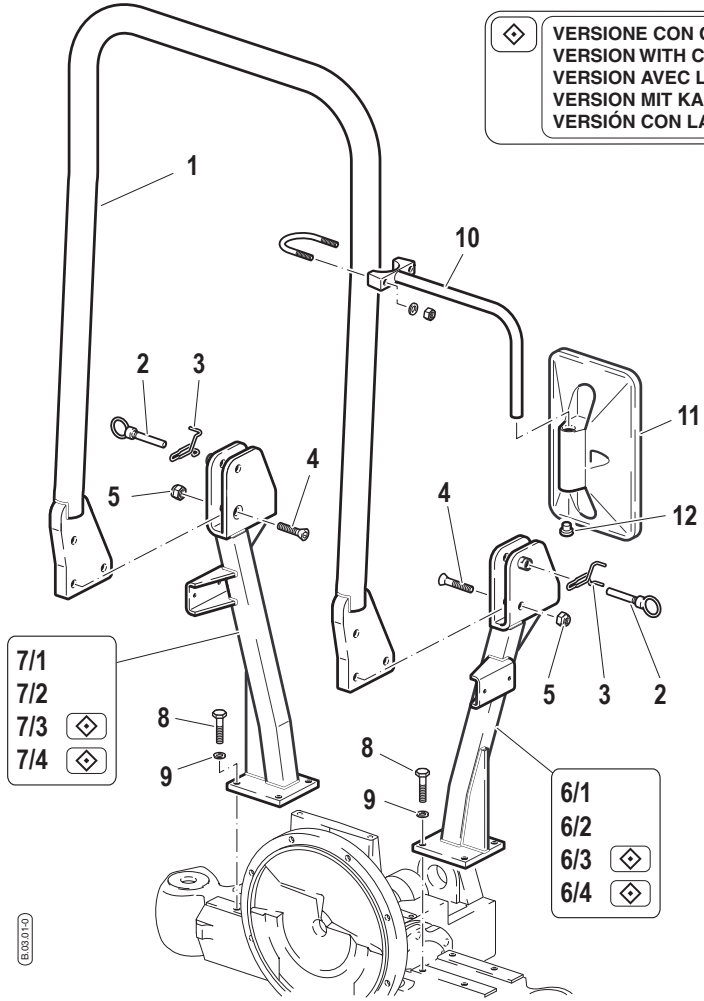
Pos.	Code	Q.ty	Description	Notes
1	55274164	0	FUEL TANK	
1.1	F0849500001	0	TANK COVER	
1.2	F0849500002	0	FILTER	
1.3	57174884	0	PIPE FITTING	
2	57371900	0	LINING	
3	58170238	0	CONTROL	
4	F0861867050	0	SCREW M4,2X19 DIN 7981	
5	56170274	0	ROD	
6	56170275	0	SPACER	
7	F0814574000	0	NUT M8	
8	F0863097150	0	SCREW M8X190 UNI 5737	
9	31241080	0	SELFLOCK NUT M8	
10	59072491	0	TANK SUPPORT	
11	31112224	0	SCREW TE M10X130 UNI 5737	
12	F0843755000	0	WASHER 10	
13	56171775	0	SPACER	
14	31112210	0	SCREW TE M10X20 UNI 5739	
15	F0817512000	0	CLAMP	
16	58073237	0	PIPE	
17	58070690	0	PIPE	
18	56174307	0	GUARD	
19	58171212	0	GASKET	
20	58171901	0	CABLE GLAND 15,5-24-32-2	
21	F0862464050	0	SCREW UNI 5931	

1/1 - 40 CV - RS
 1/2 - 50 CV - RS
 1/3 - 40 CV - AR
 1/4 - 50 CV - AR



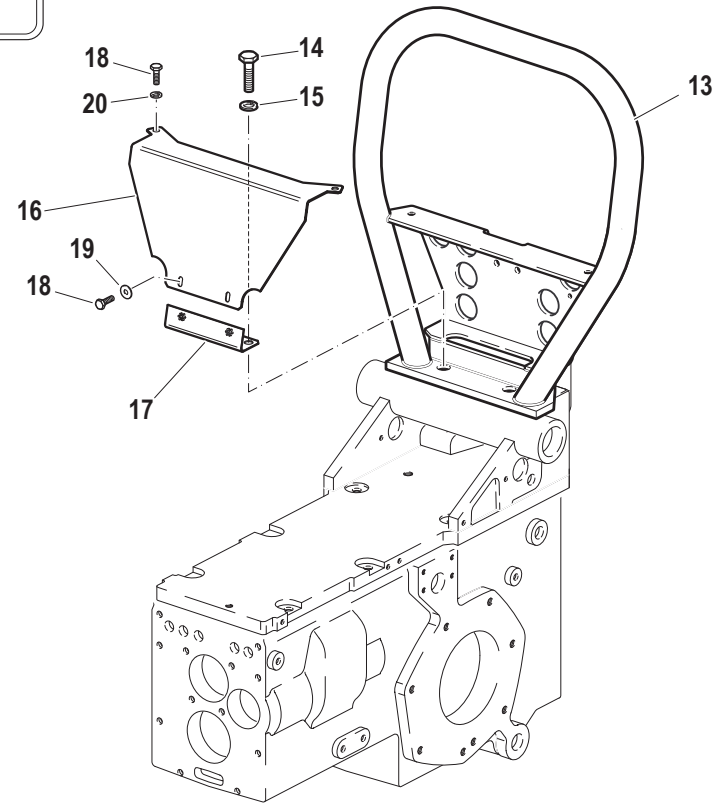
Pos.	Code	Q.ty	Description	Notes
1.1	56174424	0	FRONT GRILL	
1/1	59900248	0	COMPLETE HOOD	
1/2	59900249	0	COMPLETE HOOD	
1.2	56174426	0	FRONT GRILL	
1/3	59900250	0	COMPLETE HOOD	
1.3	56174425	0	FRONT GRILL	
1/4	59900251	0	COMPLETE HOOD	
1.4	56174427	0	FRONT GRILL	
2	56071684	0	BRACKET	
3	56071681	0	HINGE PIN	
4	35211060	0	SEEGER RING E 6 UNI 7434	
5	F0849211010	0	SILENT-BLOCK	
6	F0814629010	0	NUT M10	
7	F0843755000	0	WASHER 10	
8	58171868	0	SPRING	
9	58170436	0	CLIP	
10	F0814585000	0	SELFLOCK NUT M8	
11	31411084	0	WASHER 8,4x17	
12	51174228	0	FRONT SUPPORT	
13	F0864351050	0	SCREW M16X1,5X50UNI5738	
14	56174873	0	TOW HOOK	
15	31112328	0	SCREW TE M14X35 UNI 5739	
16	F0843921030	0	WASHER 14	
17	31411150	0	WASHER 15x28	
18	59075283	1	PIN	
19	F0851497000	1	SPLIT PIN	

◆ VERSIONE CON CABINA
 VERSION WITH CAB
 VERSION AVEC LA CABINE
 VERSION MIT KABINE
 VERSIÓN CON LA CABINA



- 7/1
- 7/2
- 7/3
- 7/4

- 6/1
- 6/2
- 6/3
- 6/4



810301-0

Pos.	Code	Q.ty	Description	Notes
1	59071147	0	SAFETY ROLL BAR	
2	56171704	0	HINGE PIN	
3	58070097	0	SPRING	
4	F0864309100	0	SCREW M14X60 UNI 5933	
5	31241140	0	SELFLOCK NUT M14	
6/1	59071956	0	SUPPORT	
6/2	59072131	0	SUPPORT	
6/3	59076172	1	WING HOLDER	
6/4	59076181	1	WING HOLDER	
7/1	59071955	0	SUPPORT	
7/2	59072140	0	SUPPORT	
7/3	59076171	1	WING HOLDER	
7/4	59076182	1	WING HOLDER	
8	31112272	0	SCREW TE M12X30 UNI 5739	
9	F0843843060	0	WASHER 12	
10	59070591	0	SUPPORT	
11	30000514	0	REAR VIEW MIRROR	
12	58170968	0	PLUG	
13	59072114	0	SAFETY ROLL BAR	
14	31112264	0	SCREW TE M12X35 UNI 5739	
15	F0843843060	0	WASHER 12	
16	59075765	1	STRIKER PLATE	
17	59075766	1	LAMINATION	
18	31112082	1	SCREW TE M6X12 UNI 5739 8G	
19	31411064	1	WASHER 6,4x12,5	
20	F0843570000	1	WASHER 6	

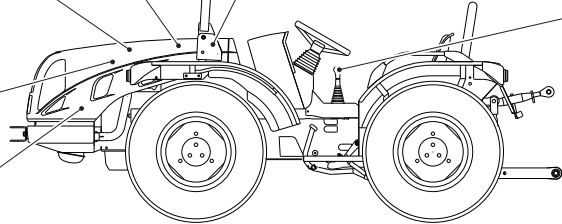
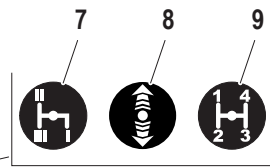
1/1
COBRAM 40
1/2
COBRAM 50

FERRARI

TYPE DP09
EE APPR. N.: SV 2 e1 0012
MADE BY BCS S.p.A. ITALY

TYPE DP10
EE APPR. N.: SV 2 e1 0013
MADE BY BCS S.p.A. ITALY

6/1 - RS
6/2 - AR



4/1 **RS**
4/2 **AR**

Made by BCS S.p.a. - Abbiategrosso Italy
STABILIMENTO di LUZZARA (RE)

TIPO: _____

OMOLOGAZIONE NUMERO: _____

NUMERO DI IDENTIFIC.: _____

MASSA MAX. AMMISSIBILE KG: _____

MASSA MAX ASSE ANTERIORE KG: _____

MASSA MAX ASSE POSTERIORE KG: _____

MASSE MASSIME RIMORCHIABILI (KG)

SENZA FRENI	CON FRENI INDIPENDENTI
CON FRENI AD INERZIA	CON FREMAT. ASSISTITA

COEFF. DI ASSORBIMENTO: m-1 _____ ANNO: _____

CONFEZIONATO (SECONDO DIRETTIVA CEE 77/937)

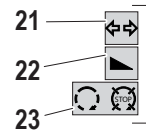


18/1- MONO
18/2- REV

15 - AR

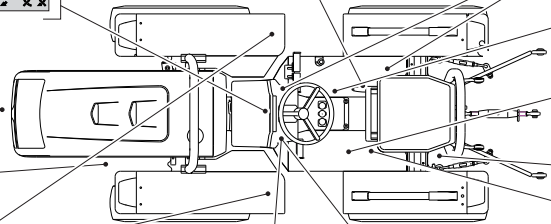
ATTENZIONE - WARNING
ATTENTION - ACHTUNG
ATENCIÓN - ATENCAO

⊗ - NON PRESENTE CON FRIZIONE INDIPENDENTE
- MISSING WITH INDEPENDENT CLUTCH
- NE PAS PRÉSENT AVEC EMBRAYAGE INDEPENDANT
- FEHLEND MIT UNABHÄNGIGER KUPPLUNG
- AUSENTE CON EMBRAGUE INDEPENDIENTE



20

FERRARI



24

H

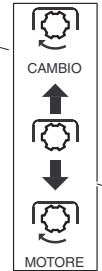
16 POS DRAFT

MEM 17

- SOLLEVATORE ELETTRONICO - VEDI TAVOLA...
- ELECTRONIC CONTROL LIFT- SEE TABLE...
- RÉLÈVEUR ÉLECTRONIQUE- VOIR TABLE...
- ELEKTRONISCHE HEBER - SIEHE TAFEL...
- ELEVADOR ELECTRONICO- MIRAR TABLA...

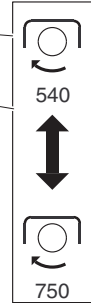
H.04.01-0

⊗ 19



13

⊗ 12

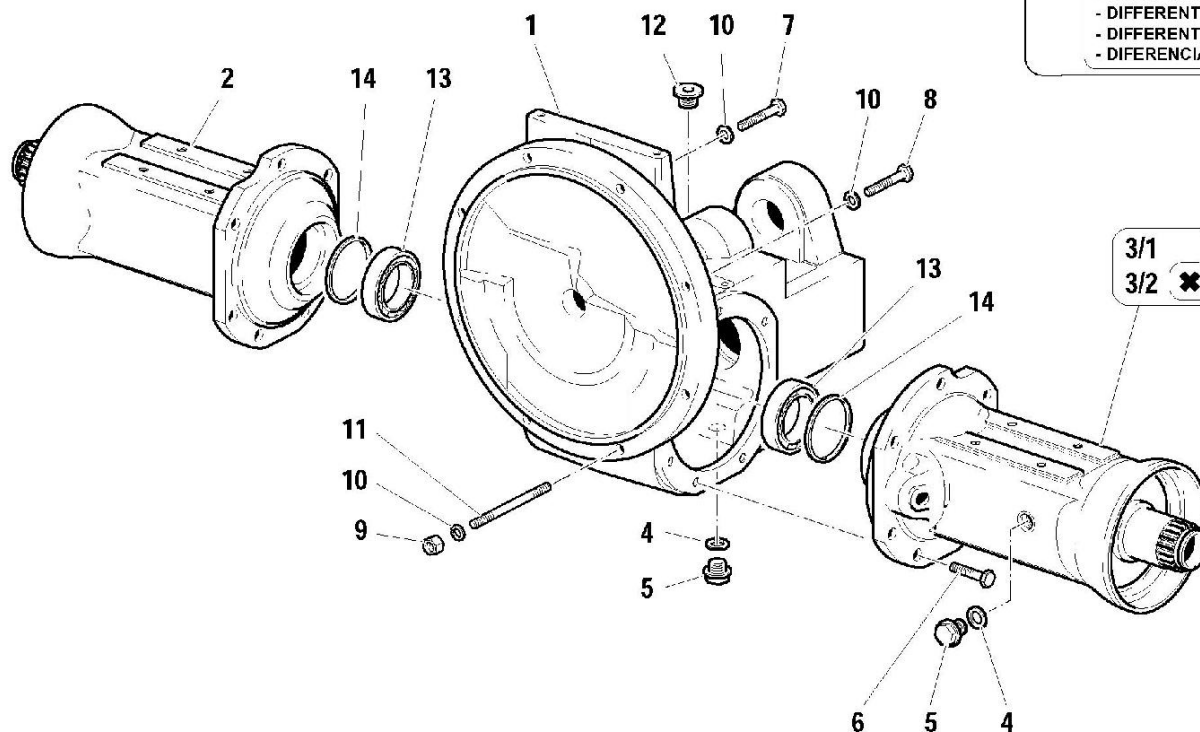


0.04.01.0

Pos.	Code	Q.ty	Description	Notes
1/1	58074380	0	DECAL	
1/2	58074381	0	DECAL	
2	58073549	0	DECAL	
3	58073548	0	DECAL	
4/1	58073553	0	DECAL	
4/2	58073552	0	DECAL	
5	58073554	0	DECAL	
6/1	58073646	0	PLATE	
6/2	58073647	0	PLATE	
7	58074223	0	DECAL	
8	58074220	0	DECAL	
9	58074222	0	DECAL	
10	58072737	0	PLATE	
11	F0808518050	0	RIVET 3,5x6,5	
12	58072573	0	PLATE	
13	58072575	0	PLATE	
14	F0854067050	0	PLATE	
15	58073156	0	PLATE	
16	58073018	0	PLATE	
17	58073019	0	PLATE	
18/1	F0907170114	0	TECHN. MANUAL COBRAM	
18/2	F0907170115	0	TECH. MANUAL COBRAM REVER	
19	58072520	0	INSTRUCTION PLATE	
20	58072510	1	INSTRUCTION PLATE	
21	58072509	1	INSTRUCTION PLATE	
22	58072517	1	INSTRUCTION PLATE	
23	58072511	1	INSTRUCTION PLATE	
24	58076077	1	DECAL	

RS-M	RS-R	AR-M	AR-R
		•	•

✘ - DIFFERENZIALE CON BLOCCAGGIO ELETTROIDRAUL.
- DIFFERENTIAL WITH ELECTROHYDRAULIC LOCKING
- DIFFERENTIEL AVEC BLOCAGE ÉLECTROHYDR.
- DIFFERENTIAL MIT ELEKTROHYDR. SPERRE
- DIFERENCIAL CON BLOQUEO ELECTROHIDRÁULICO



3/1
3/2 ✘

Pos.	Code	Q.ty	Description	Notes
1	51171614	0	FRONT AXLE HOUSING	
2	512A0909	1	FRONT AXLE HOUSING	
3/1	512A0908	1	FRONT AXLE HOUSING	
3/2	512A0910	1	FRONT AXLE HOUSING	
4	F0844273090	0	GASKET 22X28X1,5 CU 99,5	
5	58173495	0	PLUG	
6	31112264	0	SCREW TE M12X35 UNI 5739	
7	31112214	0	SCREW TE M10X45 UNI 5739	
8	31112211	0	SCREW TE M10X30 UNI 5739	
9	31211100	0	NUT M10	
10	F0843755000	0	WASHER 10	
11	F0838475000	0	STUD BOLT M10X90 UNI 5911 8.8	
12	58071790	0	PLUG	
13	F0812895000	0	BEARING 32008 (40X68X19)	
14	56371582	0	RING	
14	56371583	0	RING	
14	56371584	0	RING	
14	56371585	0	RING	
14	56371586	0	RING	

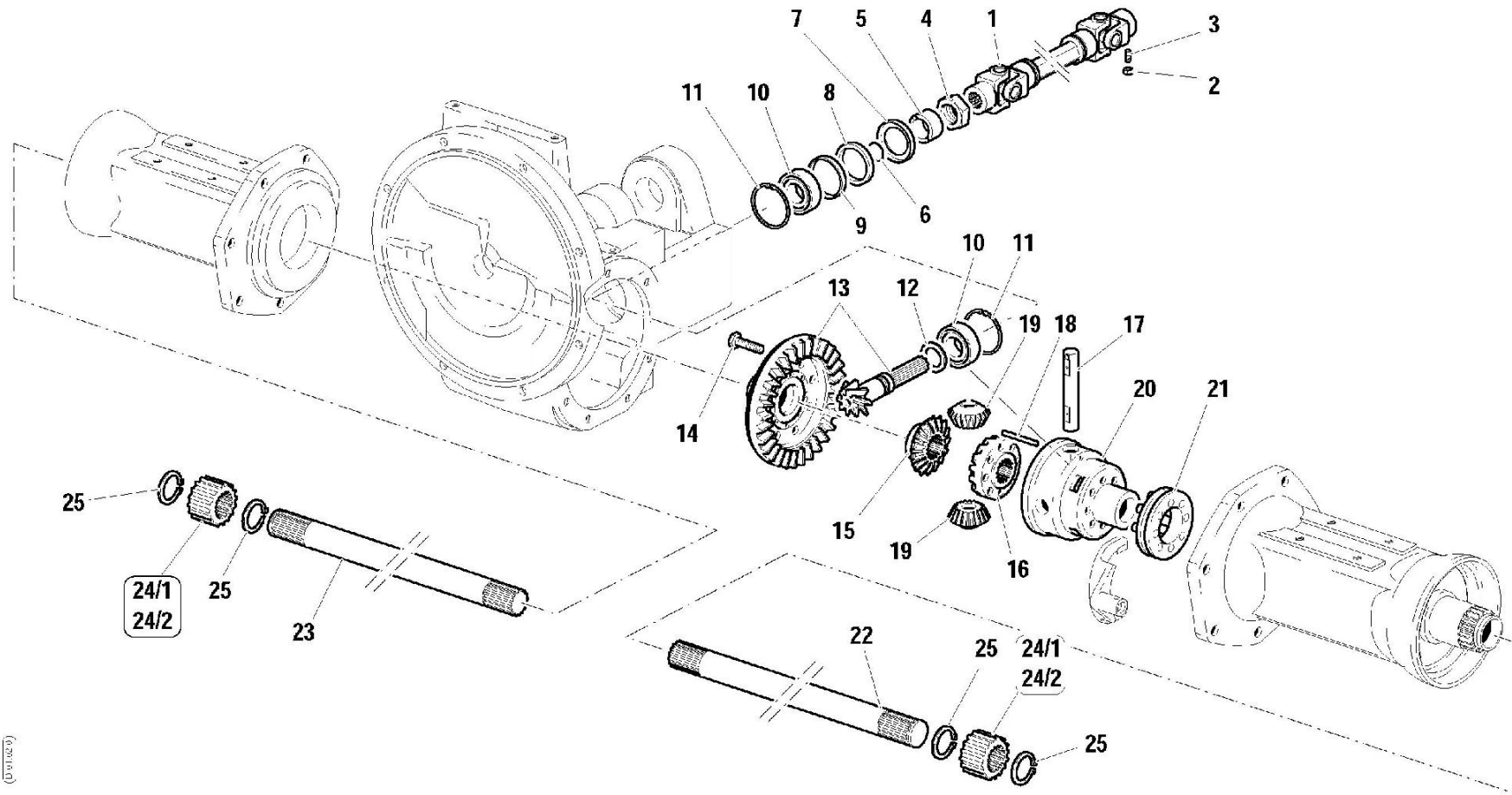


TRASMISSIONE ANTERIORE
 FRONT TRANSMISSION
 AVANT TRANSMISSION
 VORDERANTRIEB
 TRANSMISION DELANTERA

Tavola _____ Rev. _____
D.01.02 - **0** 11/2001

1/1

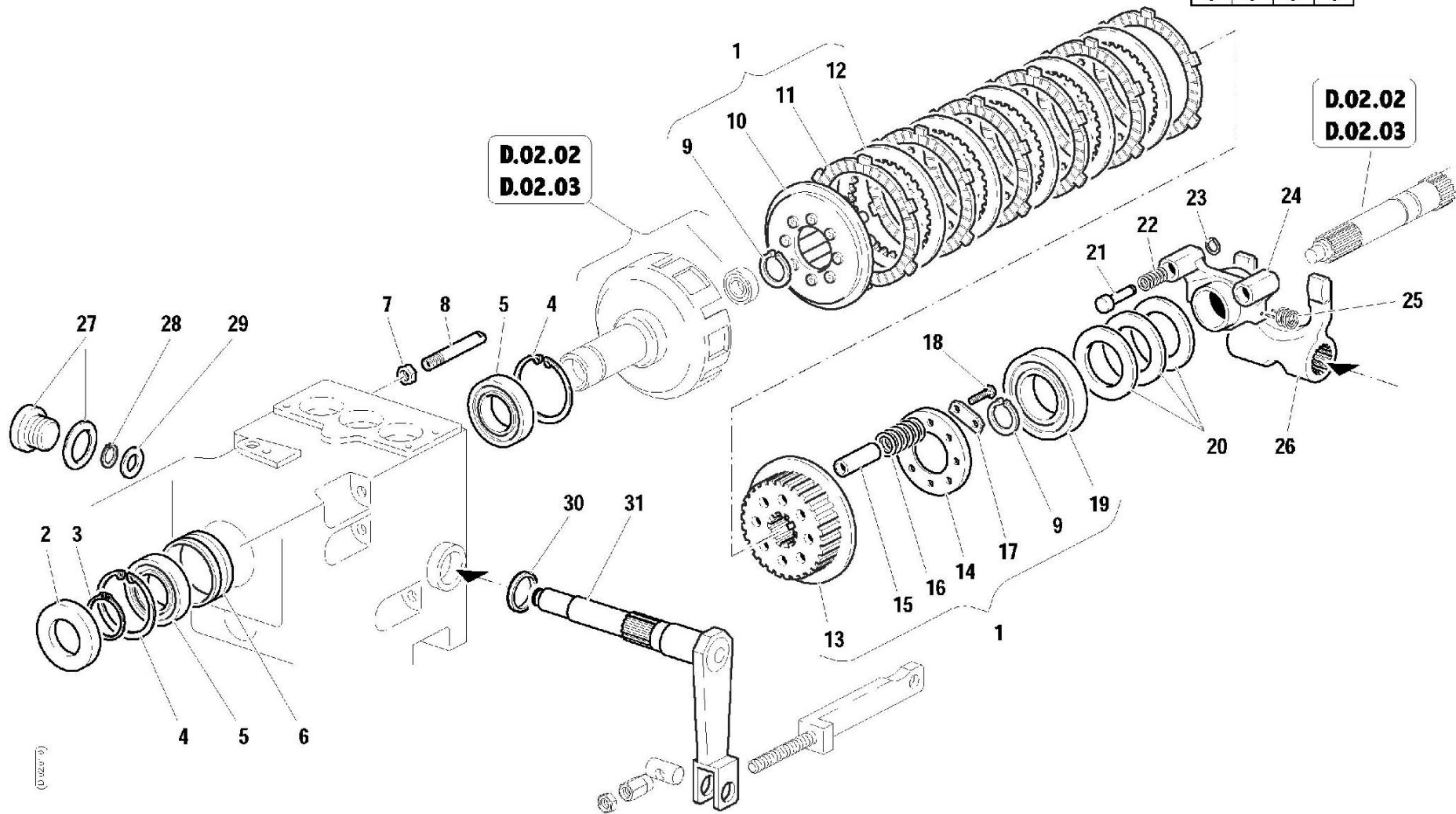
RS-M	RS-R	AR-M	AR-R
		•	•



DIPINTO

Pos.	Code	Q.ty	Description	Notes
1	58171673	0	CONSTANT VEL. JOINT	
2	F0814574000	0	NUT M8	
3	F0862657000	0	GRAIN	
4	56371666	0	RING NUT	
5	56471665	0	SPACER	
6	38112670	0	O-RING	
7	56171671	0	PROTECTIVE RING D=62	
8	F0802190010	0	SEAL 42x62/7	
9	56171672	0	SPACER	
10	37221300	0	CYL. ROLLER BEARING	
11	35111063	0	SEEGER RING I 62 UNI 7438	
12	56371667	0	SHIM	
12	56371668	0	SHIM	
12	56371669	0	SHIM	
12	56371670	0	SHIM	
13	59371466	0	BEVEL GEAR	
14	F0863267050	0	SCREW M10x25	
15	52471513	0	CROWN WHEEL	
16	52471516	0	CROWN WHEEL	
17	56471508	0	PIN	
18	56371994	0	PIN	
19	52471509	0	PLANETARY GEAR	
20	51374866	0	HOUSING	
21	59071518	0	SLEEVE	
22	56572623	0	AXLE SHAFT	
23	56572624	0	AXLE SHAFT	
24/1	52471532	0	CROWN WHEEL	
24/2	52473922	0	CROWN WHEEL	
25	F0801175050	0	SEEGER RING E 24X1,75 UNI 7436	

RS-M	RS-R	AR-M	AR-R
•	•	•	•



Pos.	Code	Q.ty	Description	Notes
1	59900224	0	CLUTCH KIT	
2	F0802187050	0	OIL SEAL 40x68/10	
3	35121040	0	SEEGER RING E 40 DIN 471	
4	F0801408000	0	SEEGER RING I 68 UNI 7437	
5	37111400	0	BEARING	
6	56171847	0	SPACER	
7	F0814689050	0	NUT M12X1,75 CH.17/H7	
8	56171934	0	PIPE	
9	F0801241010	0	SEEGER RING E 30 UNI 7436	
10	59271501	0	CLUTCH DISC	
11	58171558	0	CLUTCH DISC	
12	58171559	0	DISC	
13	52471502	0	DISC HUB	
14	56371551	0	FLANGE	
15	56171499	0	SPACER	
16	58071552	0	COUPLING SPRING	
17	52071702	0	CLAMPING PLATE	
18	31111091	0	SCREW E M6X14 UNI 5739 8G	
19	37111460	0	BEARING	
20	F0850104000	0	SHIM 54,8x47,2/0,2	
20	F0850104010	0	SHIM	
20	F0850104020	0	SHIM	
21	56471728	0	PISTON	
22	58071734	0	SPRING	
23	F0801028000	0	SEEGER RING E 8 UNI 7435	
24	51171842	0	SLEEVE	
25	F0819180080	0	SPRING	
26	52371733	0	CLUTCH FORK	
27	58071790	0	PLUG	
28	F0801094000	0	SEEGER RING E 14 UNI 7435	
29	52171744	0	SHIM	
30	38212503	0	OIL SEAL 25x35/7	
31	59271720	0	SHAFT	

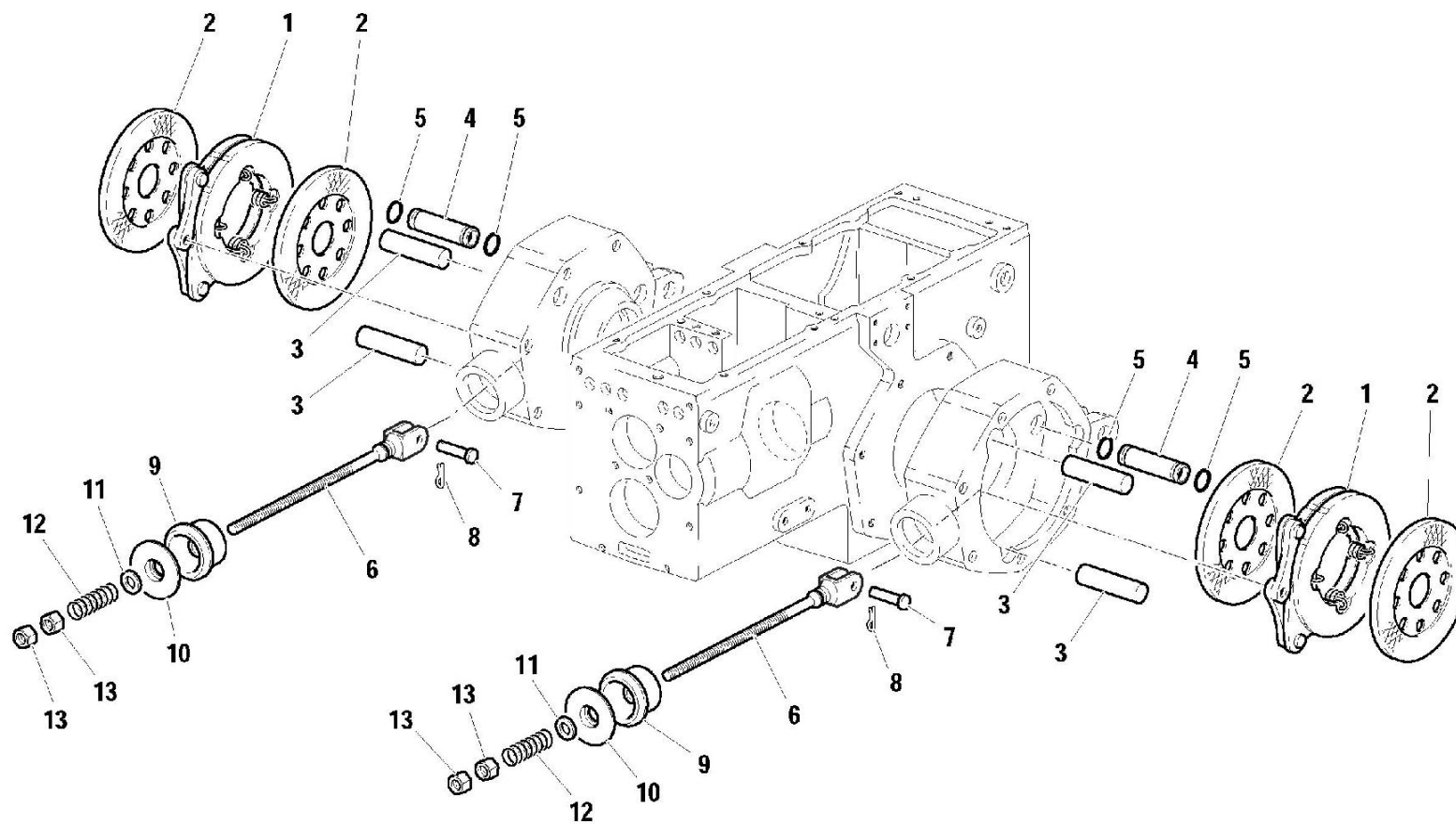
SERIAL

FRIZIONE CLUTCH

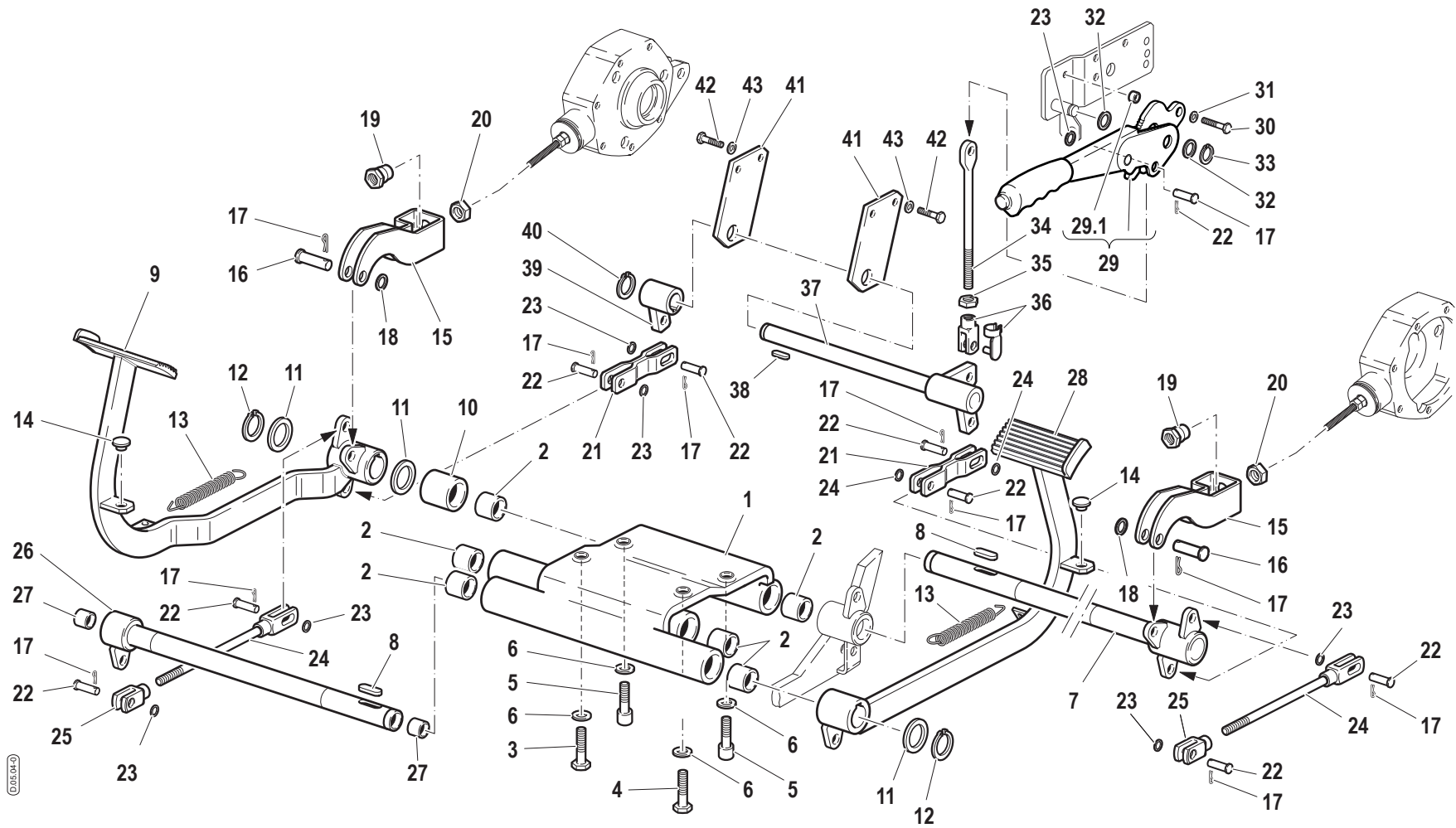
CODE REV

D0201_0_3112

RS-M	RS-R	AR-M	AR-R
•	•	•	•



Pos.	Code	Q.ty	Description	Notes
1	58171706	0	BRAKE	
2	58171707	0	BRAKE DISC	
3	56371606	0	PIN	
4	56371605	0	PIN	
5	F0803186000	0	O-RING 123	
6	56371708	0	ROD	
7	56471709	0	PIN	
8	F0810510000	0	SPLIT PIN A2,0X20 UNI 1336	
9	55170047	0	BOOT	
10	56170043	0	COVER	
11	31411130	0	WASHER 13x24	
12	58070366	0	RETAINING SPRING	
13	F0814689020	0	NUT M12 UNI 5589 CL:8	



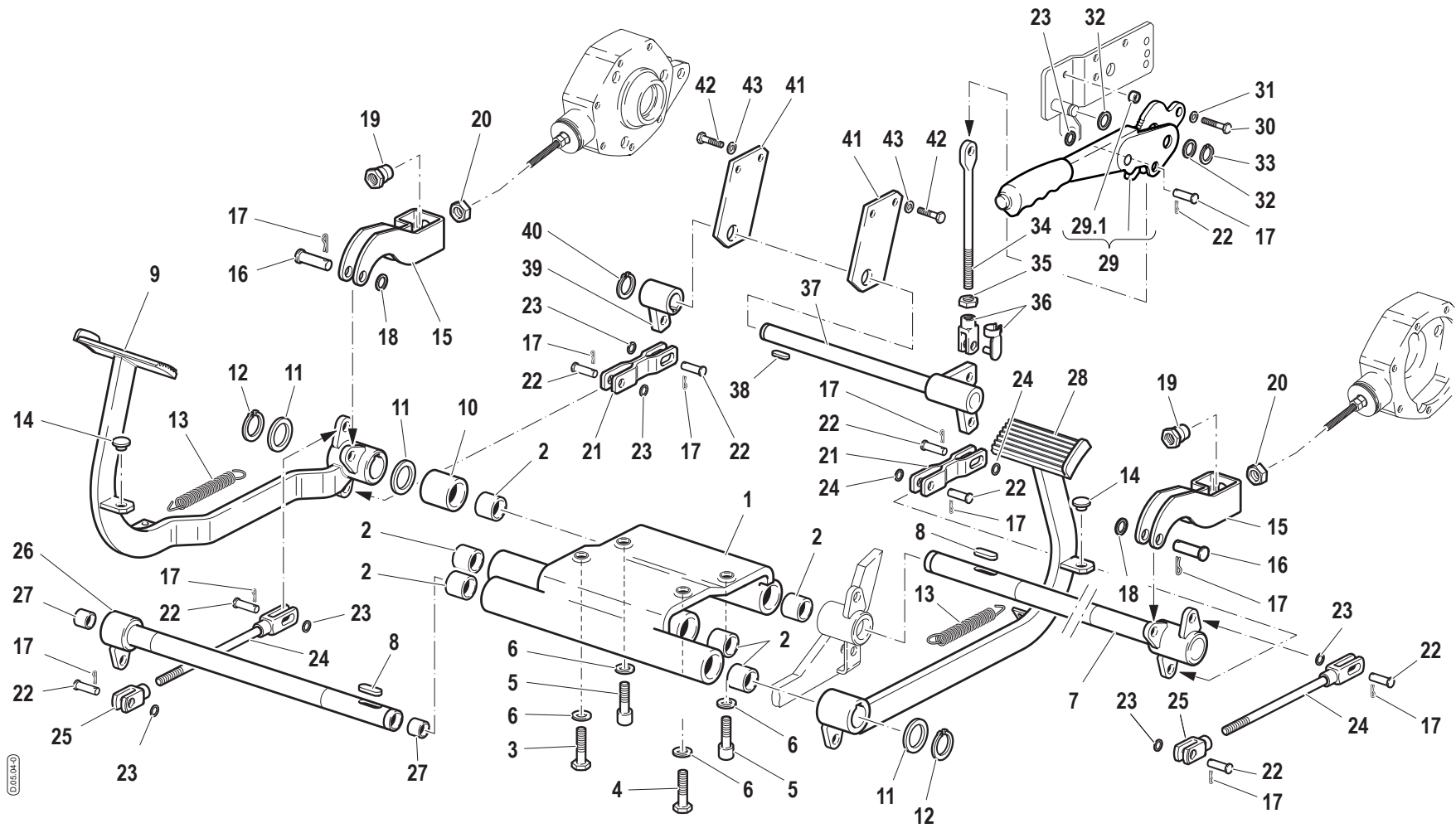
Pos.	Code	Q.ty	Description	Notes
1	51172891	0	SUPPORT	
2	58171596	0	BUSHING	
3	31112215	0	SCREW TE M10X60 UNI 5737	
4	31112216	0	SCREW TE M10X65 UNI 5737	
5	31152102	0	SCREW TCEI M10X55 UNI 5931	
6	F0843755000	0	WASHER 10	
7	59072435	0	SHAFT	
8	F0806533000	0	KEY 8X7X30 UNI 6604/A	
9	59072431	0	BRAKE PEDAL	
10	56172436	0	SPACER	
11	56349629	1	RING	
12	35131026	0	SEEGER RING E 25X2 UNI 7436	
13	58070373	0	RESTORING SPRING	
14	F0822537050	0	BUFFER	
15	56171787	0	BRACKET	
16	56470797	0	PIN	
17	F0810510000	0	SPLIT PIN A2,0X20 UNI 1336	
18	31411130	0	WASHER 13x24	
19	52373177	0	NUT	
20	F0814689020	0	NUT M12 UNI 5589 CL:8	
21	59071912	0	U BOLT	
22	56470365	0	PIN	
23	31411105	0	WASHER 10,5x21	
24	59073066	0	ROD	
25	F0860091010	0	FORK	
26	59074317	0	DEFLECTION SHAFT	
27	F0804051000	0	BUSHING 18X14/24,8	
28	59072432	0	BRAKE PEDAL	
29	58178960	1	HANDBRAKE LEVER	
30	31112151	0	SCREW TE M8X25 UNI 5739 8G	
31	F0843643060	0	WASHER 8	
32	31411150	0	WASHER 15x28	
33	F0801095000	0	SEEGER RING E 14 7435	
34	56371917	0	ROD	

SERIAL

BRAKE CONTROL UNITS

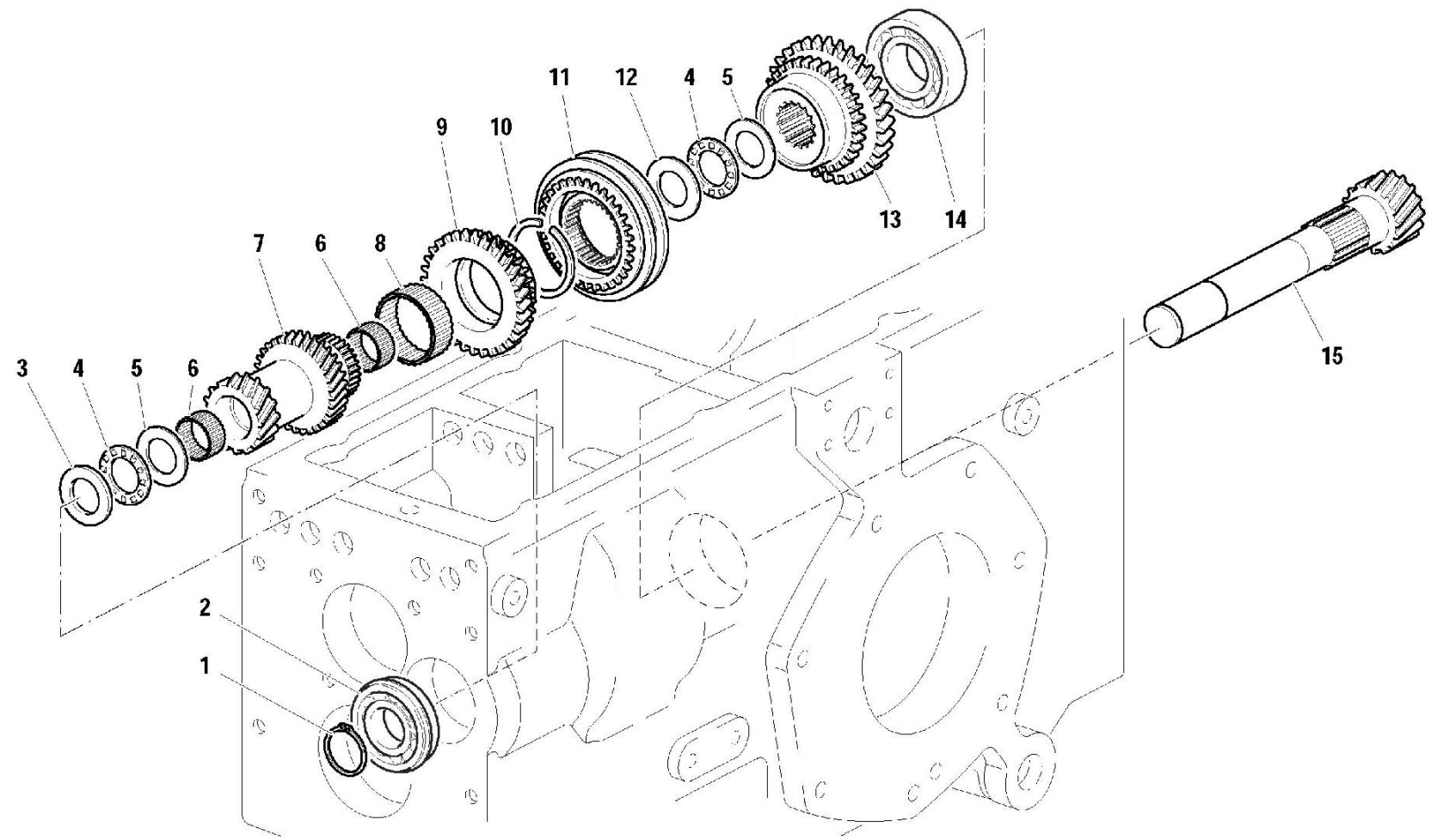
CODE REV

D0504_0_3313

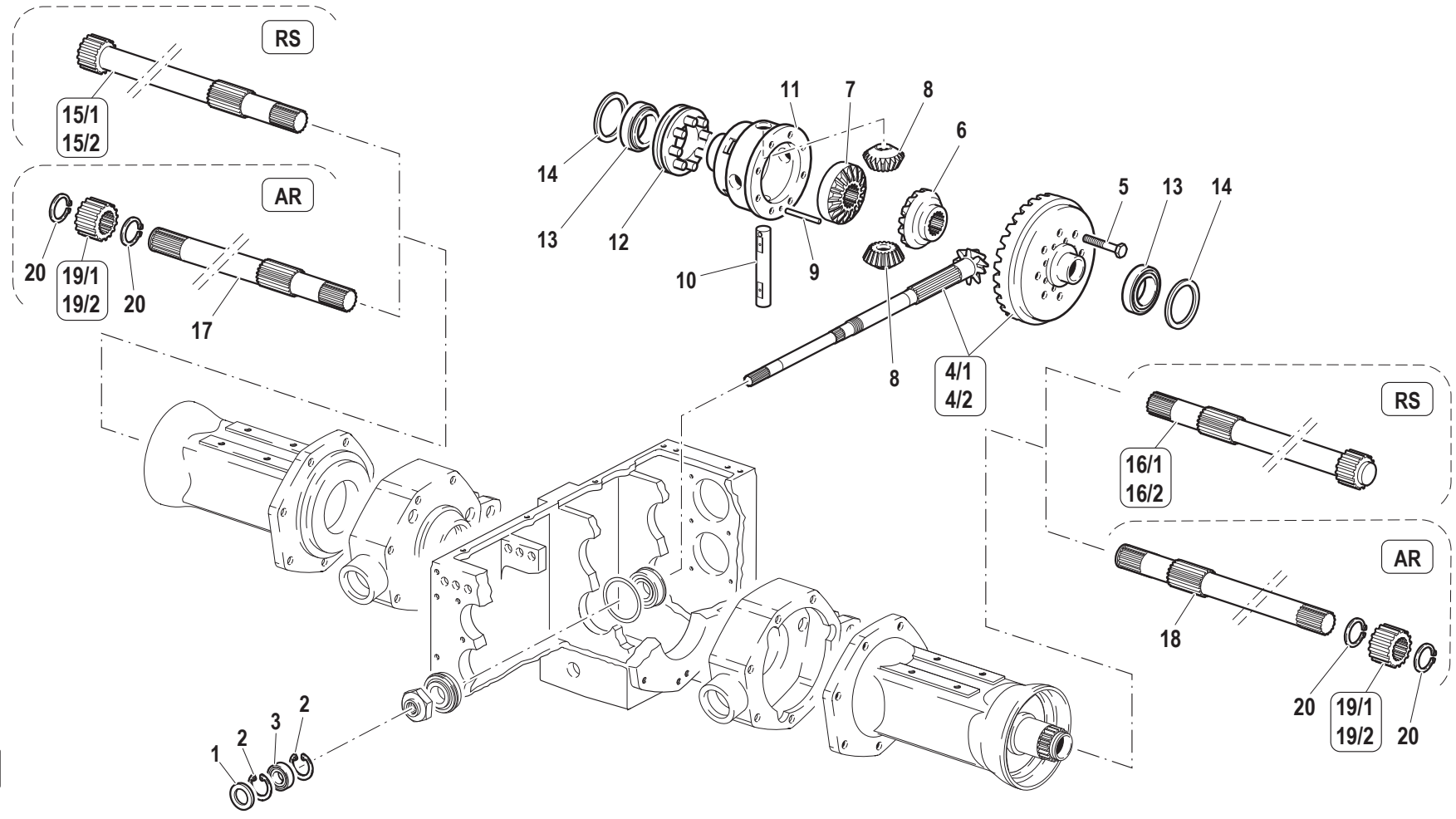


Pos.	Code	Q.ty	Description	Notes
35	F0814627000	0	NUT M10	
36	F0860090000	0	COMPLETE FORK	
37	59071921	0	SHAFT	
38	34321062	0	KEY 6X6X25	
39	59071916	0	SHAFT HUB	
40	F0801130050	0	SEEGER RING E 18 UNI 7436	
41	59071918	0	SUPPORTO ALBERO FRENO A MANO	
42	31112208	0	SCREW TE M10X16 UNI 5739	
43	F0843755050	0	WASHER D.10 DIN 128 TYPE B	
44	56171936	1	SPACER	

RS-M	RS-R	AR-M	AR-R
•	•	•	•



Pos.	Code	Q.ty	Description	Notes
1	35131026	0	SEEGER RING E 25X2 UNI 7436	
2	F0812709000	0	BEARING 6205-NR (25x52x15)	
3	52473815	0	THRUST PLATE	
3	52474239	0	THRUST PLATE	
3	52473791	0	THRUST PLATE	
4	58173790	0	BEARING	
5	58173792	0	THRUST PLATE	
6	F0812689000	0	ROLLER CAGE K 25X30/20 H	
7	52473713	0	GEAR	
8	F0812918050	0	ROLLER CAGE K 42X47/17	
9	52473719	0	GEAR	
10	58072505	0	SHOULDERED WASHER	
11	58172571	0	LOCK SYNCHRONIZER	
12	52473793	0	THRUST PLATE	
13	52473720	0	GEAR	
14	37111299	0	BEARING	
15	52473722	0	DRIVE SHAFT	



Pos.	Code	Q.ty	Description	Notes
1	38212003	0	OIL SEAL 20x42/7	
2	35111042	0	SEEGER RING I 42 DIN 472	
3	F0812631000	0	BEARING 6004 (20X42/12)	
4/1	59373783	1	BEVEL GEAR	
4/2	593A0890	1	BEVEL GEAR	
5	F0863267050	0	SCREW M10x25	
6	52471513	0	CROWN WHEEL	
7	52471516	0	CROWN WHEEL	
8	52471509	0	PLANETARY GEAR	
9	56371994	0	PIN	
10	56471508	0	PIN	
11	51374866	0	HOUSING	
12	59071518	0	SLEEVE	
13	F0812895000	0	BEARING 32008 (40X68X19)	
14	56371582	0	RING	
14	56371583	0	RING	
14	56371584	0	RING	
14	56371585	0	RING	
14	56371586	0	RING	
15/1	52471511	0	REAR AXLE SHAFT	
15/2	52473923	0	REAR AXLE SHAFT	
16/1	52471512	0	REAR AXLE SHAFT	
16/2	52473924	0	REAR AXLE SHAFT	
17	52572606	0	REAR AXLE SHAFT	
18	52572605	0	REAR AXLE SHAFT	
19/1	52471532	0	CROWN WHEEL	
19/2	52473922	0	CROWN WHEEL	
20	F0801175050	0	SEEGER RING E 24X1,75 UNI 7436	

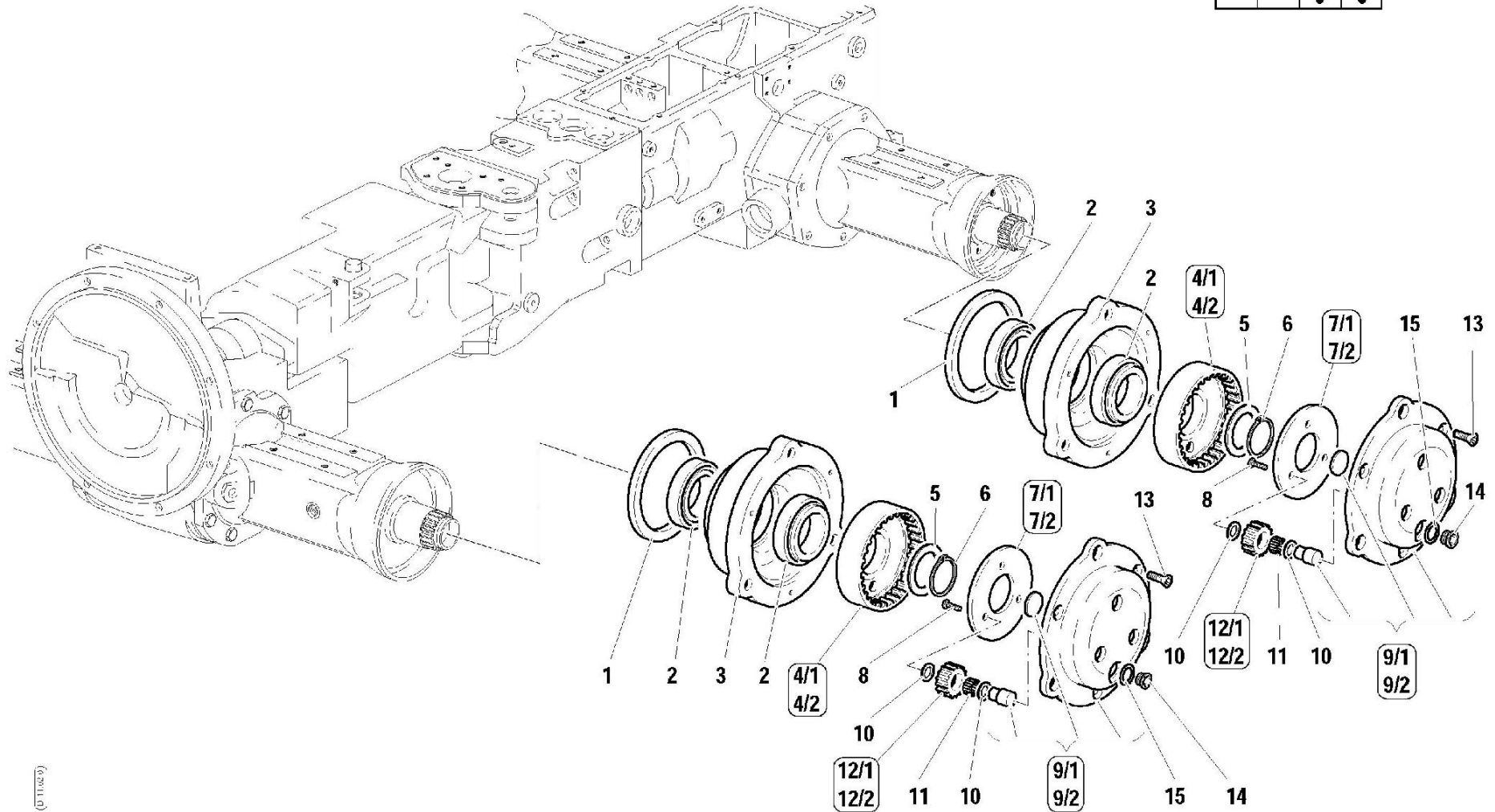


RIDOTTORI LATERALI
 LATERAL REDUCTION GEARS
 REDUCTEURS LATÉRAUX
 SEITLICHE UNTERSETZER
 REDUCTORES LATERALES

Tavola _____ Rev. _____
D.11.02 - **0** 11/2001

1/1

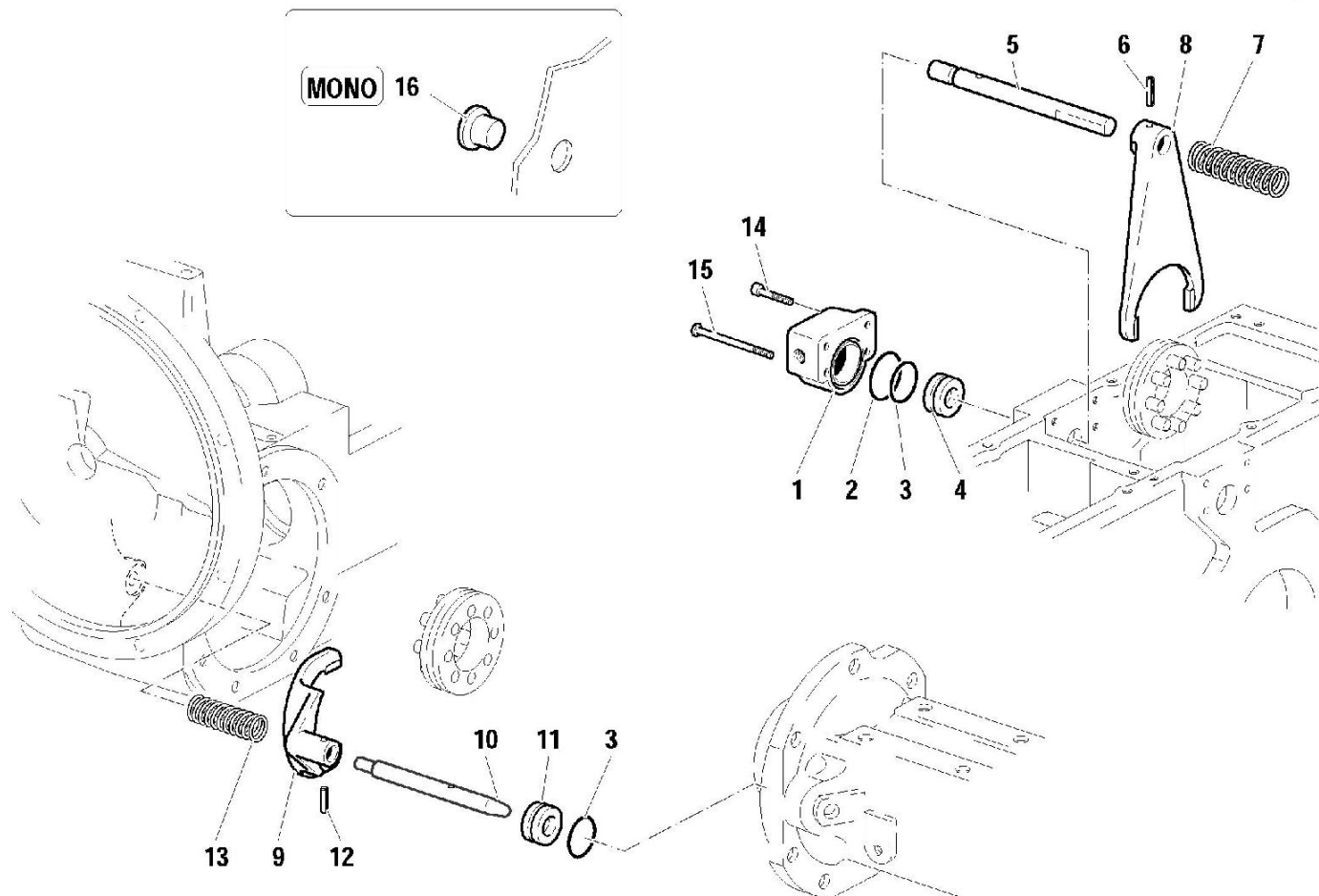
RS-M	RS-R	AR-M	AR-R
		•	•



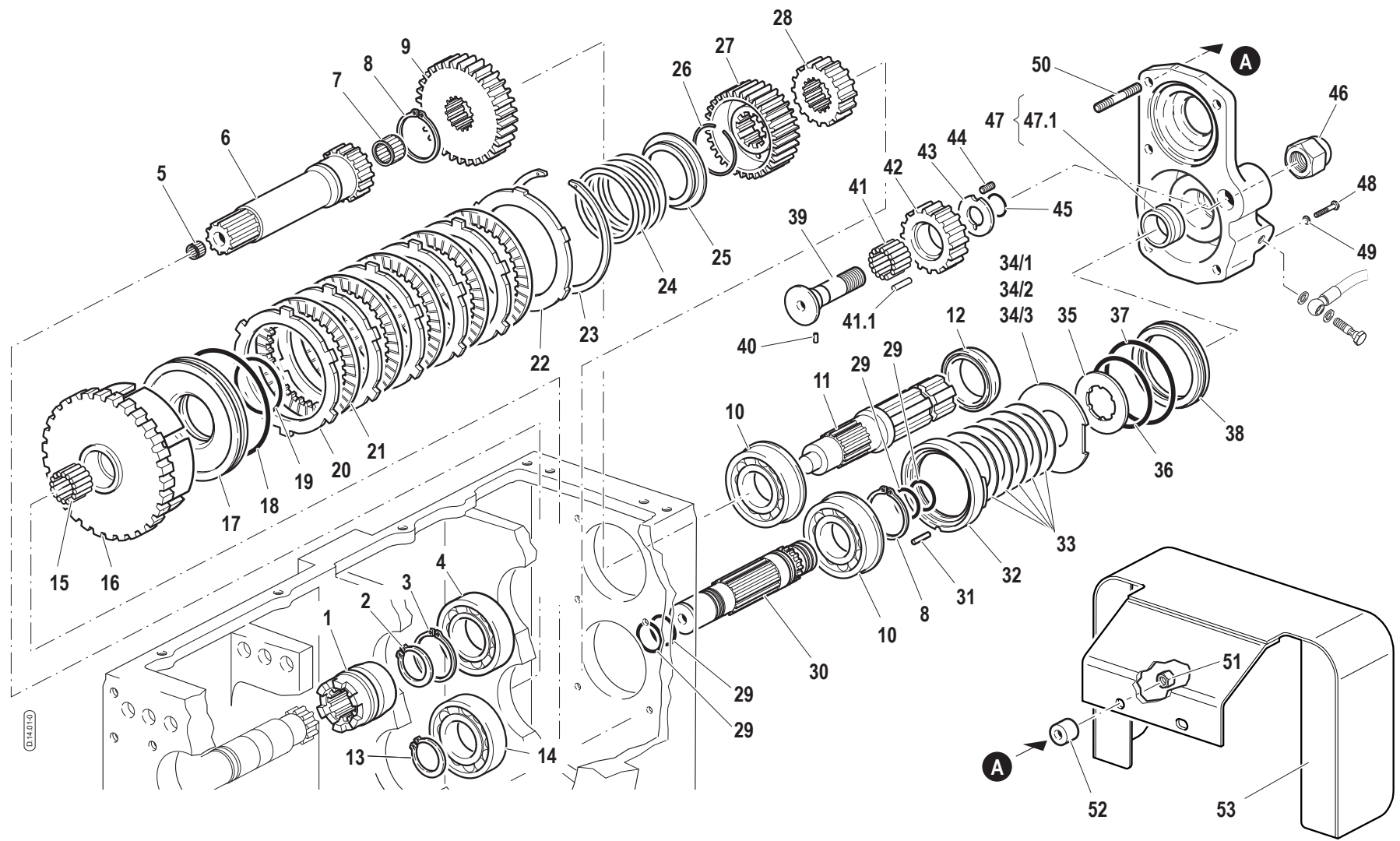
(D 11.02.01)

Pos.	Code	Q.ty	Description	Notes
1	F0802700150	0	SEAL 125x150x12	
2	F0812973000	0	BEARING 32011X	
3	51172508	0	HUB	
4/1	52471533	0	CROWN WHEEL	
4/2	52473920	0	CROWN WHEEL	
5	56371575	0	SHIM	
5	56371576	0	SHIM	
5	56371577	0	SHIM	
5	56371578	0	SHIM	
5	56371579	0	SHIM	
5	56373349	0	SHIM	
5	56373350	0	SHIM	
6	F0801346000	0	SEEGER RING E 48 UNI 7436	
7/1	56171568	0	ADJUSTING RING	
7/2	56173919	0	ADJUSTING RING	
8	F0862090000	0	SCREW M6X16 8.8	
9/1	59273878	0	COVER	
9/2	59273944	0	COVER	
10	58171567	0	SHIM	
11	58171653	0	ROLLER	
12/1	52471531	0	PLANETARY GEAR	
12/2	52473921	0	PLANETARY GEAR	
13	F0862655000	0	SCREW M8X25-5933	
14	56370081	0	PLUG	
15	F0844273090	0	GASKET 22X28X1,5 CU 99,5	

RS-M	RS-R	AR-M	AR-R
•	•	•	•



Pos.	Code	Q.ty	Description	Notes
1	52372343	0	SMALL BLOCK	
2	F0803209000	0	O-RING 3156	
3	58170195	0	GASKET	
4	56370187	0	PISTON	
5	56371646	0	LOCKING DEVICE	
6	F0851267050	0	PIN 6X30 DIN 7343 CL:C72	
7	58070198	0	SPRING	
8	51271647	0	FORK	
9	51271615	0	FORK	
10	56371613	0	LOCKING DEVICE	
11	56370583	0	PISTON	
12	F0851260000	0	PIN 6X24 DIN 1481	
13	58070205	0	SPRING	
14	31152085	0	SCREW TCEI M8X25 UNI 5931	
15	31112161	0	SCREW TE M8X50 UNI 5737 8G	
16	F0852516020	0	CABLE GLAND D.32	



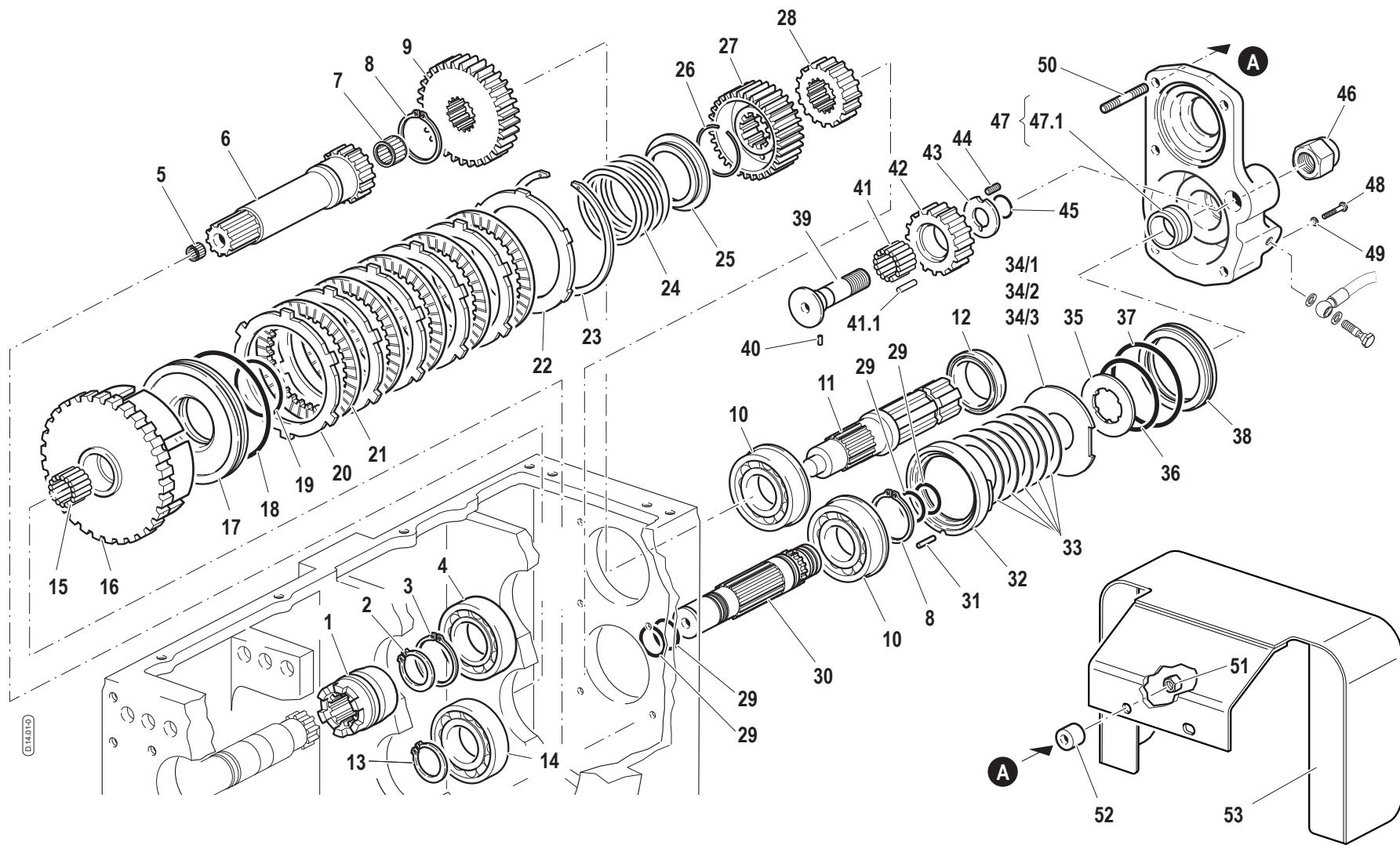
Pos.	Code	Q.ty	Description	Notes
1	52474190	0	GEAR SLEEVE	
2	35121030	0	SEEGER RING E 30 DIN 471	
3	35121035	0	SEEGER RING E 35 DIN 471	
4	37111353	0	BEARING	
5	F0812525100	0	BUSHING HK1210-B	
6	52472272	0	CONTROL SHAFT	
7	F0812599090	0	ROLLER CAGE K 18x24/20	
8	F0801264050	0	SEEGER RING E 35X2,5 U/7436	
9	52472325	0	DRIVEN GEAR	
10	F0812849100	0	BEARING 6207-NR	
11	52472273	0	SHAFT	
12	F0802190010	0	SEAL 42x62/7	
13	F0801241010	0	SEEGER RING E 30 UNI 7436	
14	37111303	0	BEARING	
15	F0812736010	0	ROLLER CAGE K 30X35/20 H	
16	59272426	0	CLUTCH HOUSING	
17	53272293	0	PISTON	
18	58172400	0	GASKET	
19	58172402	0	GASKET	
20	58172447	0	DISC	
21	58172448	0	DISC	
22	52372292	0	RING	
23	58072389	0	CIRCLIP	
24	58074092	0	RESTORING SPRING	
25	56372282	0	RING	
26	58072399	0	SAFETY RING	
27	52472342	0	DISC HUB	
28	52472322	0	DRIVEN GEAR	
29	58072398	0	SEAL	
30	59275946	1	SHAFT	
31	F0851226000	0	PIN 6X12 UNI 1707 CL:C20	
32	56472368	0	SPACER	
33	58072382	0	CUP SPRING	
34/1	56472374	0	BRAKE DISC	

SERIAL

POWER TAKE-OFF WITH INDEPENDENT CLUTCH

CODE REV

D1401_0_3649



Pos.	Code	Q.ty	Description	Notes
34/2	56472375	0	BRAKE DISC	
34/3	56472376	0	BRAKE DISC	
35	56472383	0	BRAKE DISC	
36	38116317	0	RING	
37	F0803286045	0	O-RING 4300	
38	53273000	0	PISTON	
39	52473001	0	GEAR PIN	
40	F0851018000	0	CYLINDRICAL PLUG 3X6 UNI 1707	
41	58172350	0	ROLLER BEARING	
41.1	58172351	0	ROLLER	
42	52472324	0	PTO GEAR	
43	56472390	0	SHIM	
44	F0862473050	0	GRAIN	
45	F0803186000	0	O-RING 123	
46	F0814797000	0	SELFLOCK NUT M16X1,5	
47	59272425	0	COVER	
47.1	56472377	1	BUSHING	
48	F0862448100	0	SCREW M8X10 UNI 5740	
49	F0843641000	0	COPPER WASHER 8x14/1,5	
50	F0838166018	0	STUD BOLT M8X45 UNI 5911 8.8	
51	F0814574000	0	NUT M8	
52	56172080	0	SPACER	
53	560A0221	1	P.T.O. PROTECTION	

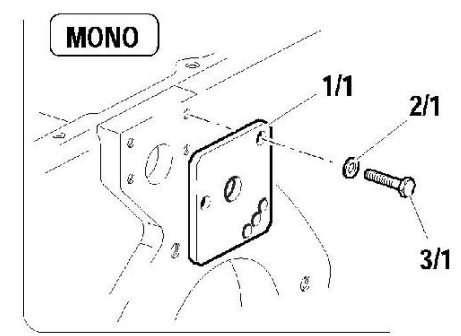
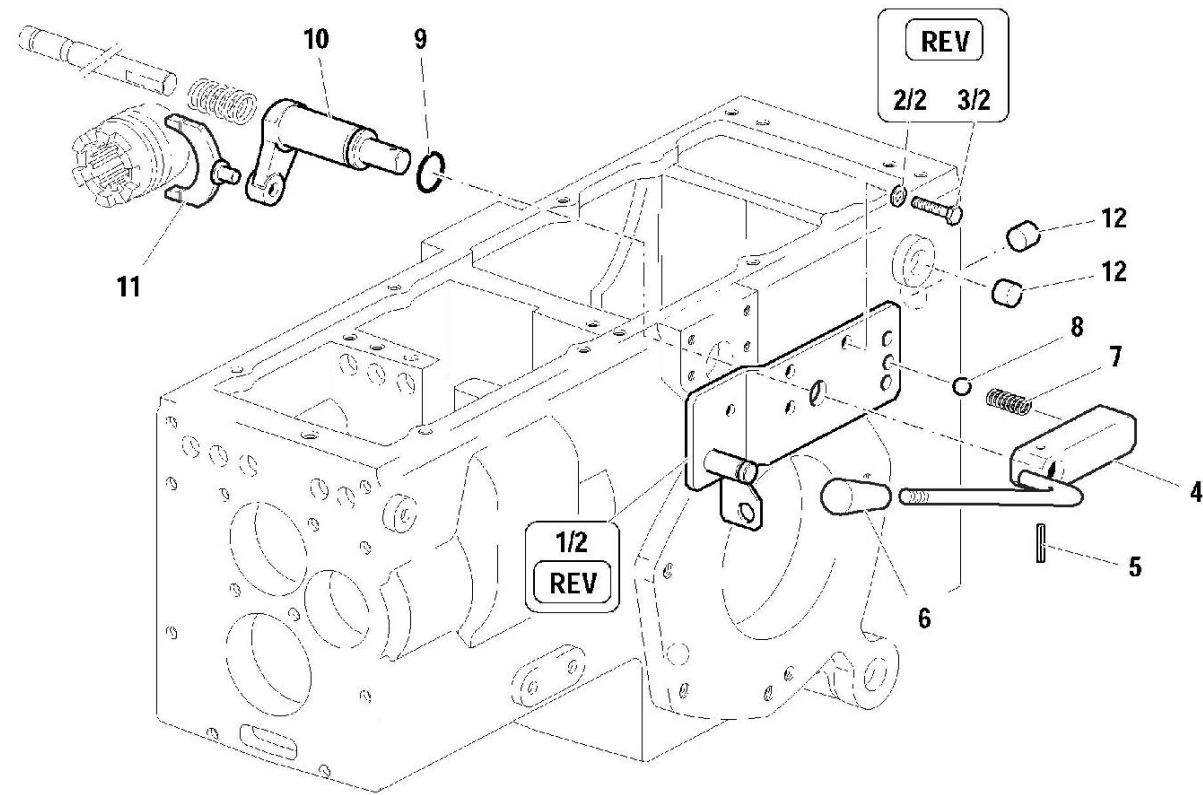


COMANDI PRESA DI FORZA - FRIZIONE INDIPENDENTE
 INDEPENDENT CLUTCH - POWER TAKE-OFF CONTROLS
 COMMANDES PRISE DE FORCE - EMBRAYAGE INDEPENDANT
 UNABHÄNGIGE KUPPLUNG - ZAPFWELLE STEUERUNGEN
 MANDOS TOMA DE FUERZA - EMBRAGUE INDEPENDIENTE

Tavola **D.14.02** Rev. **0** 11/2001

1/1

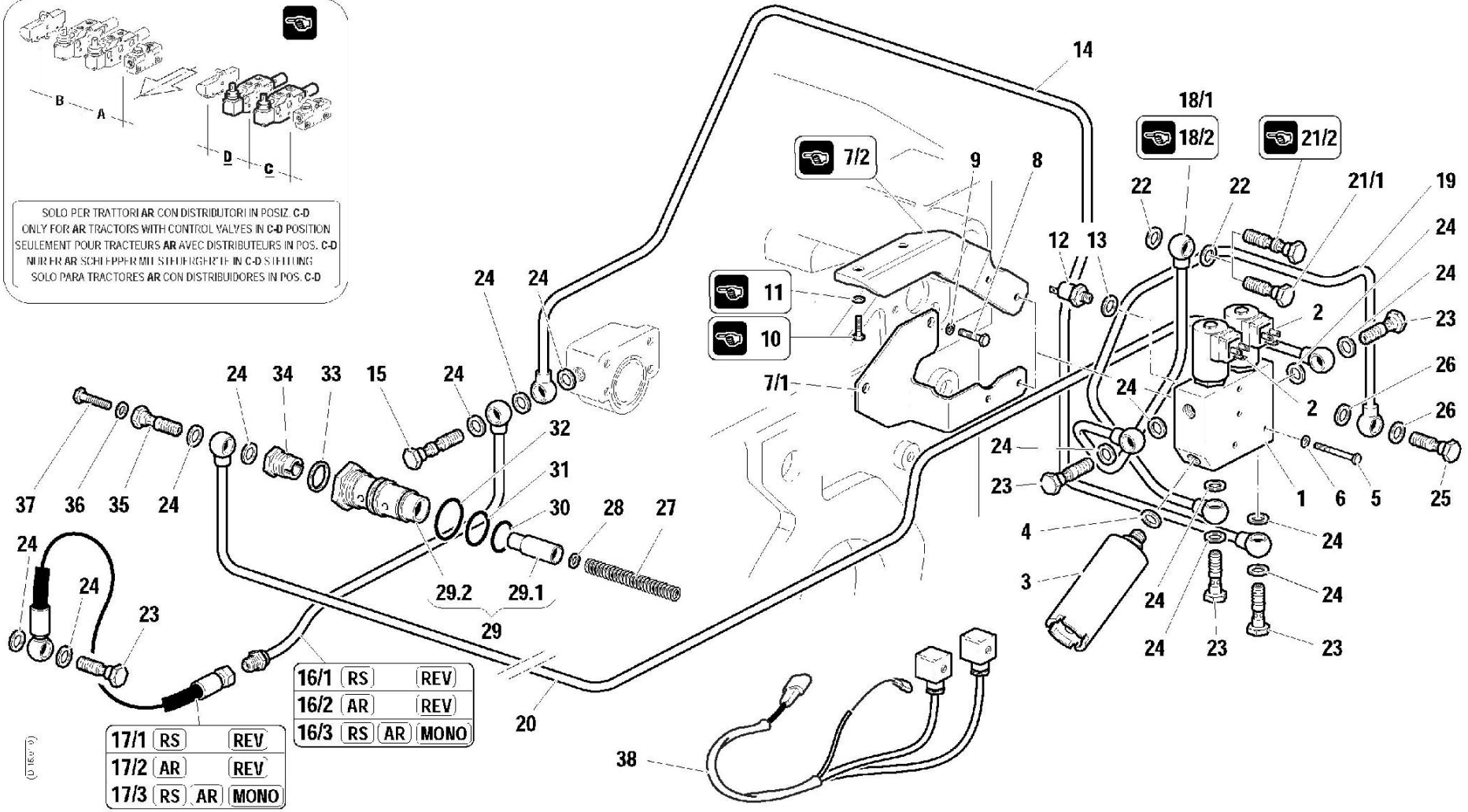
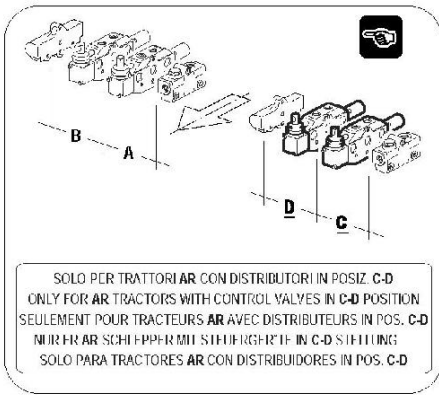
RS-M	RS-R	AR-M	AR-R
•	•	•	•



D.14.02/01

Pos.	Code	Q.ty	Description	Notes
1/1	59072754	0	PLATE	
1/2	59072753	0	PLATE	
2/1	F0843643060	0	WASHER 8	
2/2	F0843643060	0	WASHER 8	
3/1	31112150	0	SCREW TE M8X20 UNI 5739 8G	
3/2	31112147	0	SCREW TE M8X18 UNI 5739 8G	
4	59072761	0	LEVER	
5	34211054	0	ROLL PIN	
6	F0837534010	0	GRIP	
7	58070741	0	SPRING	
8	F0847434000	0	BALL	
9	38112200	0	O-RING 3087 (22,00X2,62)	
10	52371679	0	LEVER	
11	52472430	0	SELECTOR FORK	
12	56173016	0	PLUG	

RS-M	RS-R	AR-M	AR-R
•	•	•	•



16/1	RS	REV	
16/2	AR	REV	
16/3	RS	AR	MONO
17/1	RS	REV	
17/2	AR	REV	
17/3	RS	AR	MONO

(D REV 0)

Pos.	Code	Q.ty	Description	Notes
1	56172749	0	SMALL BLOCK	
2	58172463	0	ELECTRO VALVE	
3	59271011	0	UNIT	
4	F0843948000	0	COPPER WASHER 14,0x20/1,5	
5	F0862345000	0	SCREW M6X40 UNI 5737	
6	F0843570000	0	WASHER 6	
7/1	56172759	0	BRACKET	
7/2	56172751	0	BRACKET	
8	31112150	0	SCREW TE M8X20 UNI 5739 8G	
9	F0843643060	0	WASHER 8	
10	31112090	0	SCREW TE M6X16 UNI 5739 8G	
11	F0843570000	0	WASHER 6	
12	58173399	0	PRESSURE SWITCH	
13	F0843841000	0	COPPER WASHER 12,0x18/1,5	
14	59072788	0	PRESSURE PIPE	
15	56170413	0	PIPE FITTING	
16/1	59072790	0	PRESSURE PIPE	
16/2	59072791	0	PRESSURE PIPE	
16/3	59074343	0	PRESSURE PIPE	
17/1	58070416	0	FLEXIBLE HOSE	
17/2	58072792	0	FLEXIBLE HOSE	
17/3	58074344	0	FLEXIBLE HOSE	
18/1	59072780	0	EXHAUST	
18/2	59072782	0	EXHAUST	
19	59072783	0	PRESSURE PIPE	
20	59072779	0	PRESSURE PIPE	
21/1	F0843109020	0	PIPE FITTING	
21/2	58172589	0	THREADED TERMINAL END	
22	F0824110000	0	COPPER WASHER 3/8 GAS	
23	F0843107000	0	PIPE FITTING GAS 1/4	
24	F0843907000	0	COPPER WASHER 13,66x19/1,5	
25	F0843102000	0	THR. TERMINAL END M10X1,25X20	
26	F0843771000	0	COPPER WASHER 10,0x16/1	
27	58073183	0	SPRING	

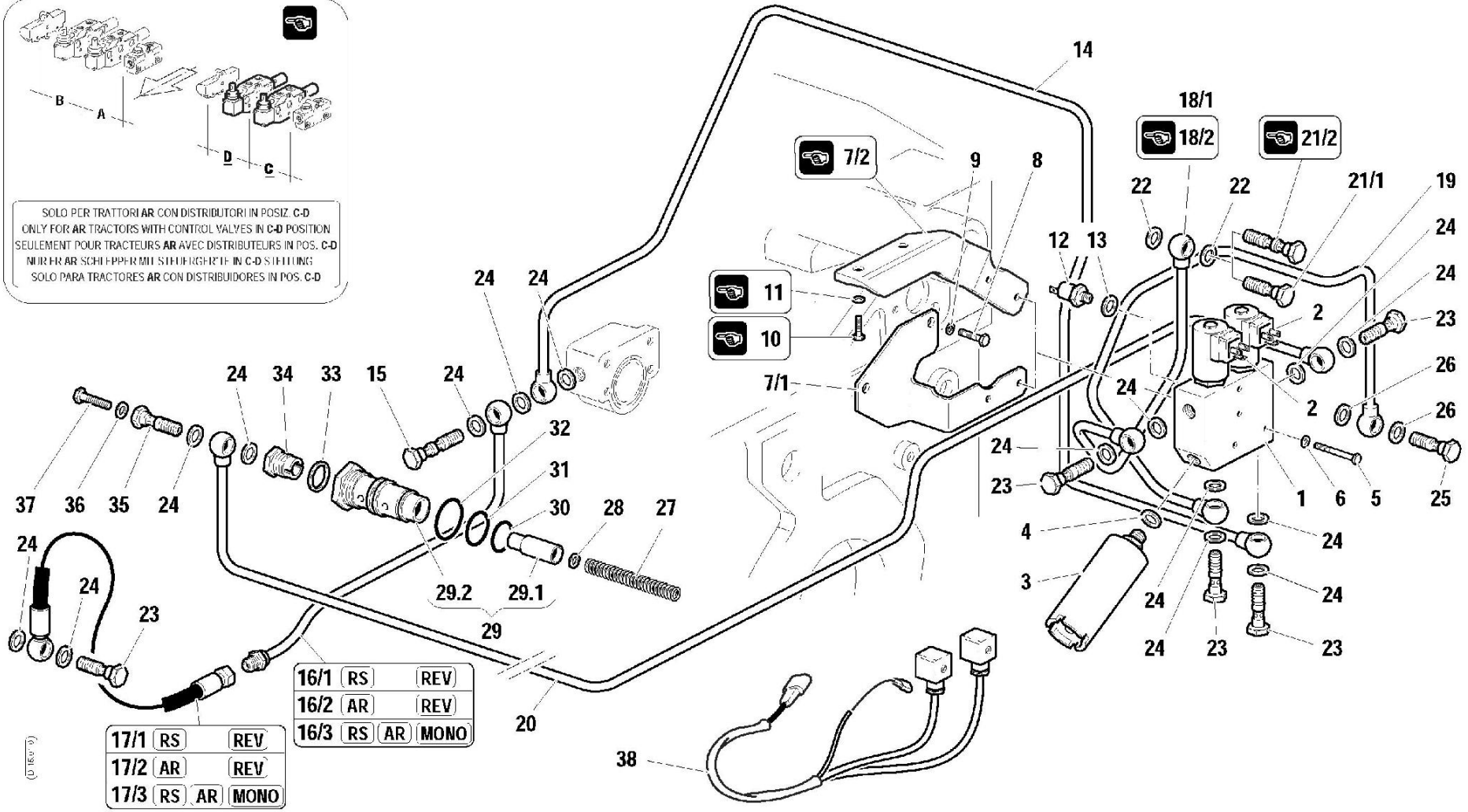
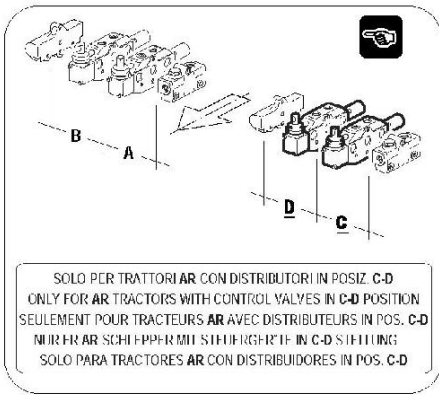
SERIAL

**P.T.O. WITH INDEPENDENT CLUTCH - DIFFERENTIAL GEAR LOCK WITH
ELECTROHYDRAULIC CO**

CODE REV

D1501_0_3724

RS-M	RS-R	AR-M	AR-R
•	•	•	•

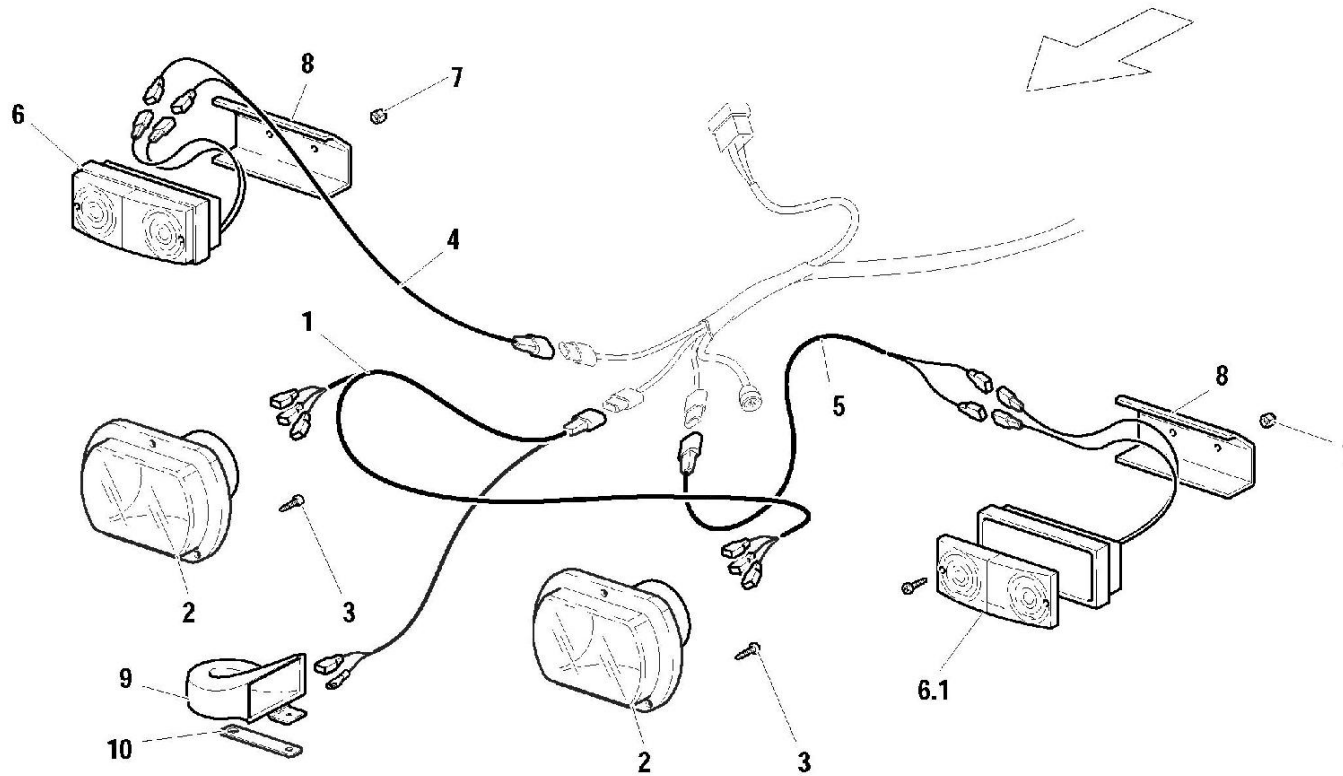


16/1	RS	REV	
16/2	AR	REV	
16/3	RS	AR	MONO
17/1	RS	REV	
17/2	AR	REV	
17/3	RS	AR	MONO

(D REV 0)

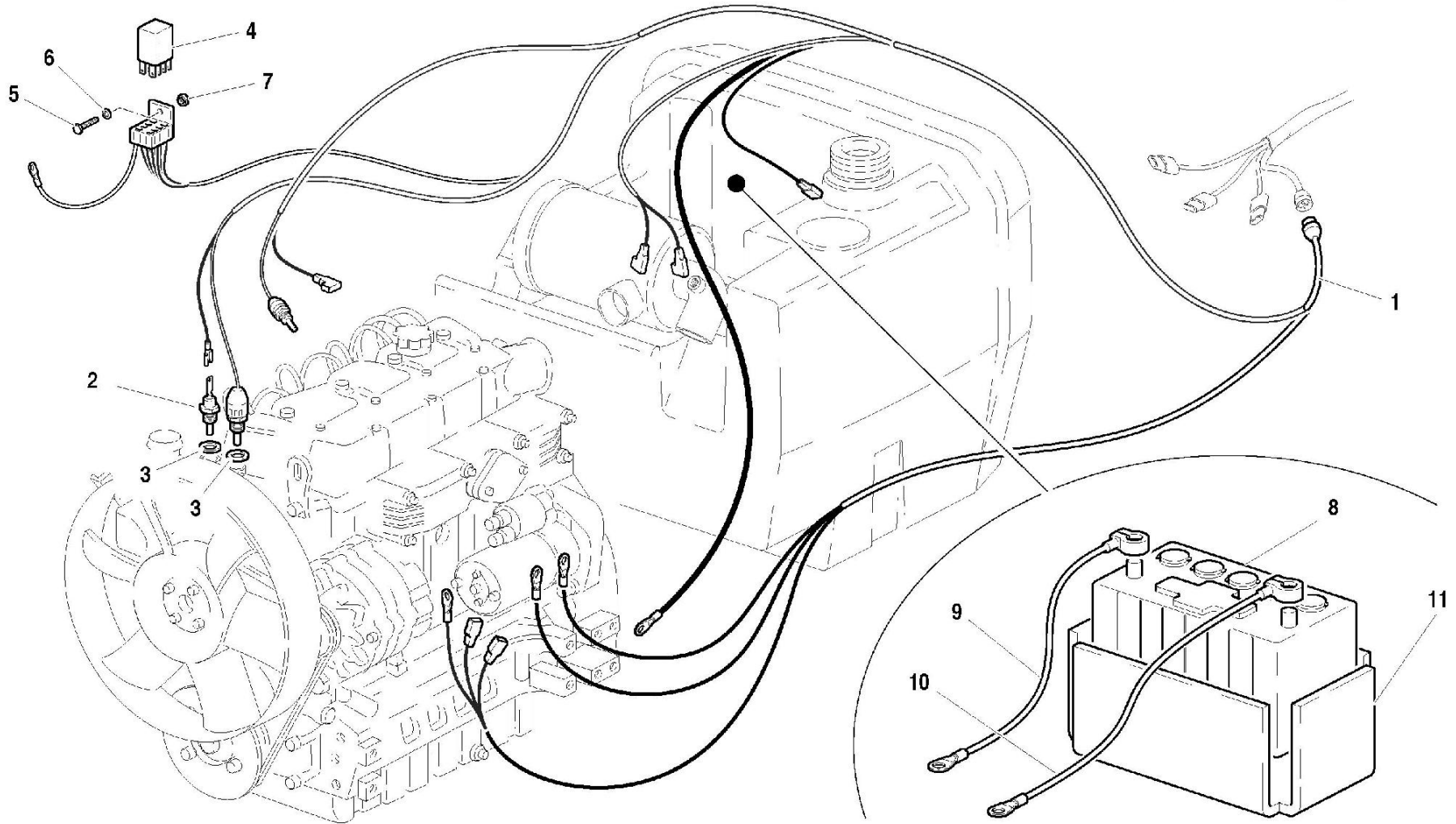
Pos.	Code	Q.ty	Description	Notes
28	F0843526000	0	WASHER 4,3x12/1,5	
29	59379589	1	COMPLETE MAX PRESSURE VALVE	
29.1	56470030	0	VALVE	
29.2	56572475	1	CASING	
30	F0803072050	0	O-RING 2093 (23,52x1,78)	
31	F0803204000	0	O-RING 3093 (23,47x2,62)	
32	38112982	0	O-RING	
33	F0844200050	0	COPPER WASHER 20,0x26/1,5	
34	56372474	0	PIPE CONNECTION	
35	58071806	0	PIPE FITTING	
36	F0843641000	0	COPPER WASHER 8x14/1,5	
37	F0862448100	0	SCREW M8X10 UNI 5740	
38	58073407	0	CABLE	

RS-M	RS-R	AR-M	AR-R
•	•	•	•



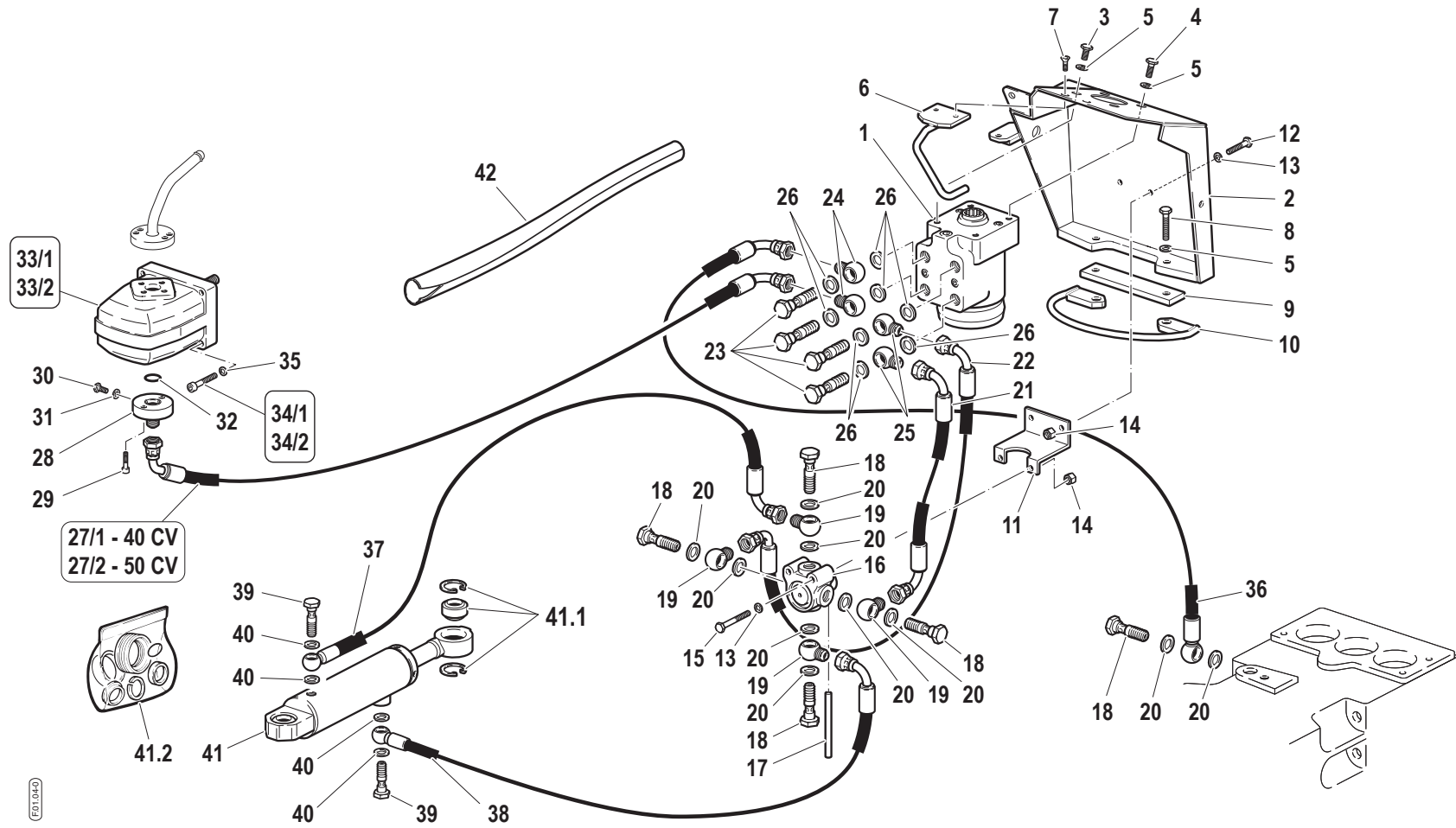
Pos.	Code	Q.ty	Description	Notes
1	58074377	0	CABLE	
2	F0825404050	0	HEADLIGHT	
3	F1000005108	0	SCREW A/F TCB 7981 4,8X13 ZNT	
4	58071308	0	CABLE	
5	58071307	0	CABLE	
6	F0825420500	0	LAMP	
6.1	F0825420560	0	GLASS	
7	F0814529080	0	SELFLOCK NUT M5	
8	56171938	0	BRACKET	
9	F0825417000	0	HORN	
10	56171233	0	SMALL PLATE	

RS-M	RS-R	AR-M	AR-R
•	•	•	•



(E.02.01)

Pos.	Code	Q.ty	Description	Notes
1	58073596	0	CABLE	
2	58175773	1	ELECTRONICAL THERMOMETER	
3	F0844030070	0	COPPER WASHER 16,0x22/1,5	
4	F0834378001	0	CENTRAL PROCESSING UNIT	
5	F0861929060	0	SCREW M5X12 UNI 5739	
6	F0843561000	0	WASHER 5	
7	F0814525000	0	NUT M5	
8	F0825469050	0	BATTERY	
9	58071313	0	CABLE	
10	58072081	0	CABLE	
11	F0190018909	0	LINING	



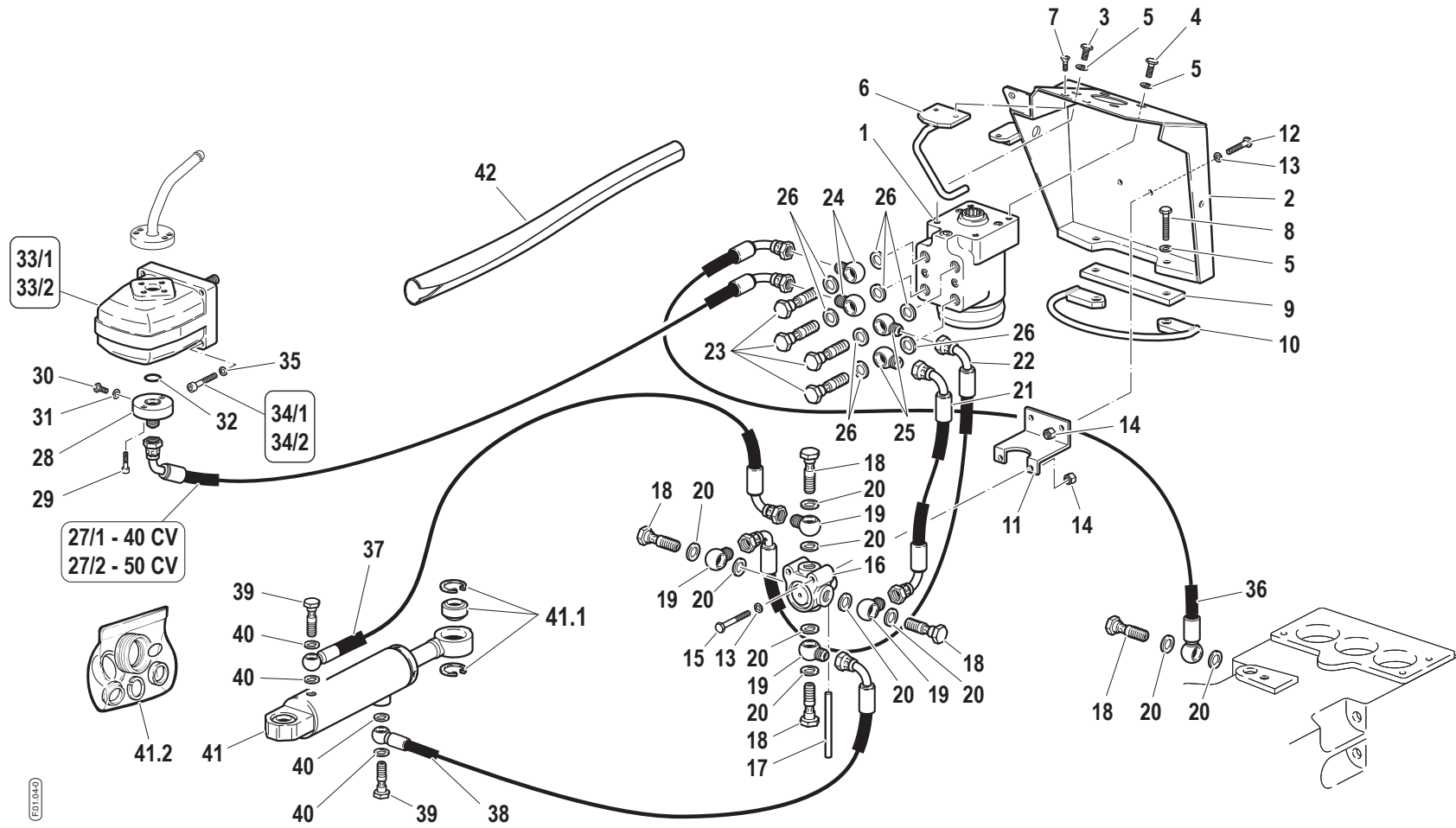
Pos.	Code	Q.ty	Description	Notes
1	58176717	1	HYDROSTEERING	
2	59072975	0	SUPPORT	
3	31112210	0	SCREW TE M10X20 UNI 5739	
4	31112219	0	SCREW TE M10X25 UNI 5739	
5	F0843755000	0	WASHER 10	
6	59071251	0	BRACKET	
7	F0861972000	0	SCREW M6X10 UNI 5933	
8	F0863328000	0	SCREW M10X35 UNI 5737	
9	56172856	0	SPACER	
10	59072739	0	BRACKET	
11	56172743	0	RETAINER	
12	31112147	0	SCREW TE M8X18 UNI 5739 8G	
13	F0843643060	0	WASHER 8	
14	31211080	0	NUT M8	
15	F0862785000	0	SCREW M8X40 UNI 5737	
16	58170243	0	SWITCH	
17	56172857	0	COMMAND LEVER	
18	F0843109020	0	PIPE FITTING	
19	F0842505010	0	EYELET	
20	F0824110000	0	COPPER WASHER 3/8 GAS	
21	58070426	0	FLEXIBLE HOSE	
22	58070429	0	FLEXIBLE HOSE	
23	F0843116000	0	PIPE FITTING 1/2	
24	F0842512000	0	PIPE FITTING	
25	F0835040030	0	PIPE FITTING	
26	F0824141000	0	COPPER WASHER 21x27/1,5	
27/1	58072802	0	FLEXIBLE HOSE	
27/2	58072801	0	FLEXIBLE HOSE	
28	F0825809000	0	PRESSURE PIPE CONNECTOR	
29	31152057	0	SCREW TCEI M6X16 UNI 5931	
30	F0862462010	0	SCREW M8X1/12 UNI5740	
31	F0824022000	0	SPECIAL GASKET D.8,4X12/1	
32	F0803185000	0	O-RING 3068 (17,12x2,62)	
33/1	58174414	1	PUMP	

SERIAL

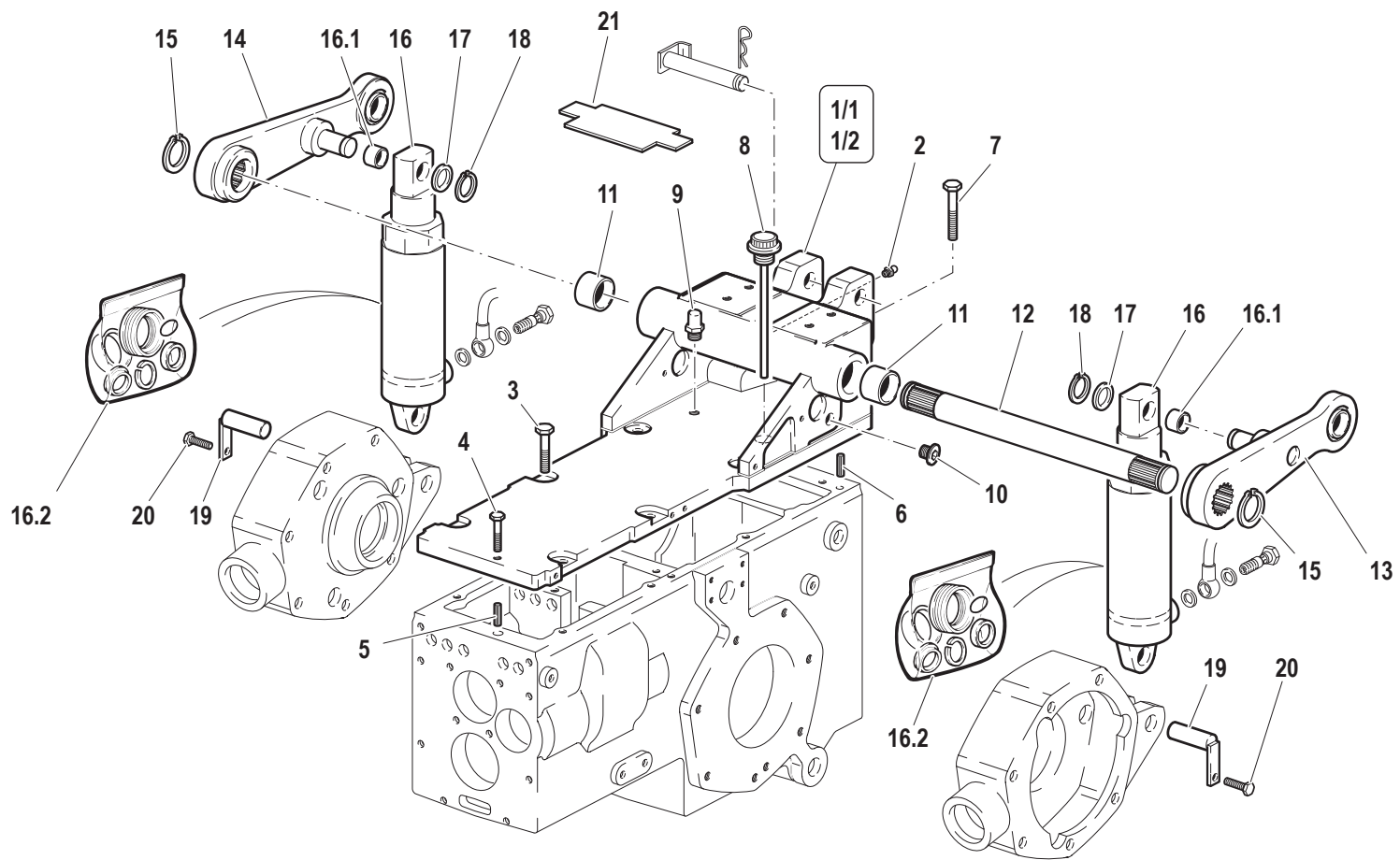
STEERING HYDRAULIC SYSTEM

CODE REV

F0104_0_3949

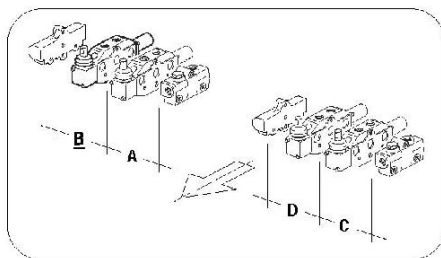


Pos.	Code	Q.ty	Description	Notes
33/2	58177758	1	PUMP	
34/1	31152063	1	SCREW TCEI M6X20 UNI 5931	
34/2	31152060	1	SCREW TCEI M6X30 UNI 5931	
35	31411064	0	WASHER 6,4x12,5	
36	58072804	0	FLEXIBLE HOSE	
37	58072797	0	FLEXIBLE HOSE	
38	58072798	0	FLEXIBLE HOSE	
39	F0843109000	0	PIPE FITTING 14x1,5	
40	F0843948000	0	COPPER WASHER 14,0x20/1,5	
41	58174019	0	STEERING CYLINDER	
41.1	59900178	0	BUSHINGS KIT	
41.2	59900247	0	GASKET SET	
42	57371268	0	SHIELD	

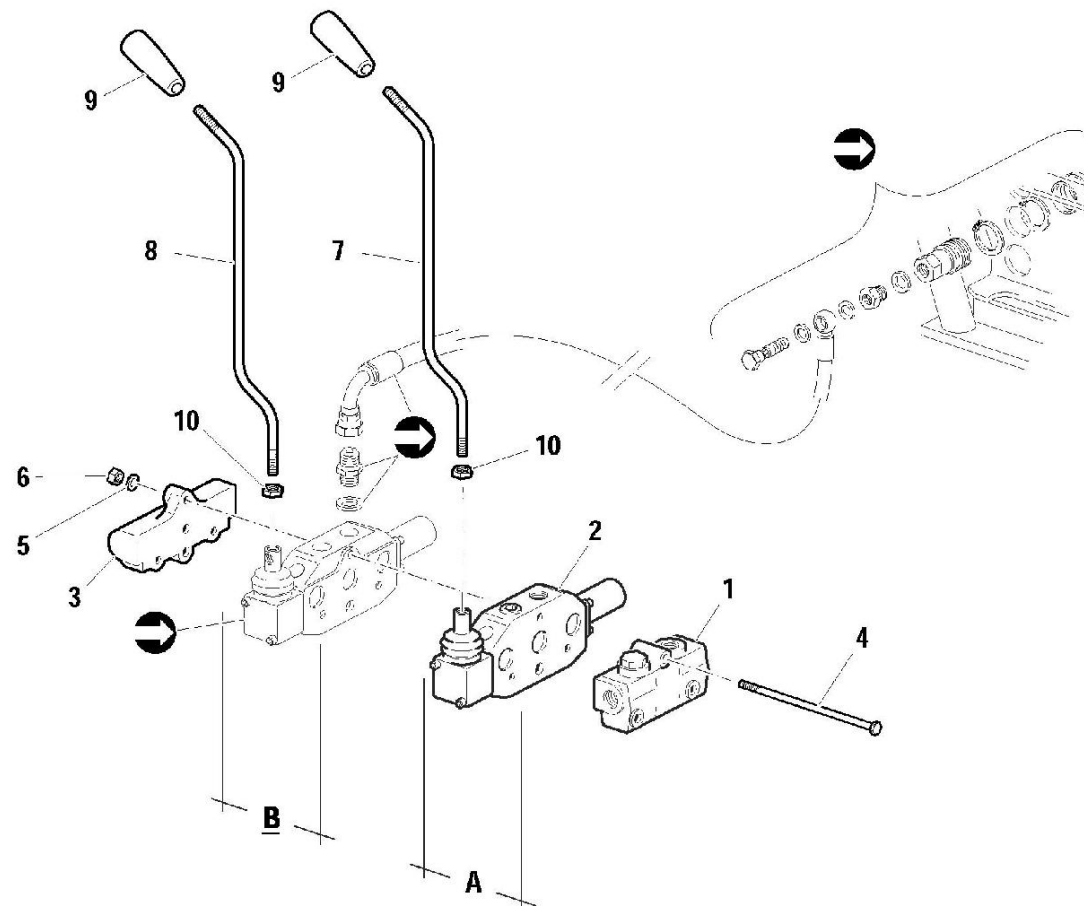


Pos.	Code	Q.ty	Description	Notes
1/1	51171641	1	SUPPORT	
1/2	51178584	1	SUPPORT	
2	F0826056000	0	LUBRICATOR M10 UNI 7663A	
3	31112219	0	SCREW TE M10X25 UNI 5739	
4	31112154	0	SCREW TE M8X40 UNI 5739 8G	
5	56170017	0	PIN	
6	56370228	0	CYLINDRICAL PLUG	
7	F0863328000	0	SCREW M10X35 UNI 5737	
8	58071805	0	PLUG	
9	30040005	0	PLUG	
10	58072045	0	PLUG	
11	58171861	0	BUSHING	
12	56571785	0	SHAFT	
13	59071783	0	LIFTING ARM	
14	59071771	0	RIGHT ARM	
15	F0801264050	0	SEEGER RING E 35X2,5 U/7436	
16	58071534	0	LIFTING CYLINDER	
16.1	59900180	0	BUSHING	
16.2	59900181	0	GASKET SET	
17	56172905	0	THRUST PLATE	
18	F0801149010	0	SEEGER RING E 20 7436D/471-2	
19	59071786	0	HINGE PIN	
20	31111151	0	SCREW TE M8X16 UNI 5739 8G	
21	573A0715	1	RUBBER	

RS-M	RS-R	AR-M	AR-R
		•	•



➔ - VEDI TAVOLA...
- SEE TABLE...
- VOIR TABLE...
- SIEHE TAFEL...
- MIRAR TABLA...
I.01.02-0



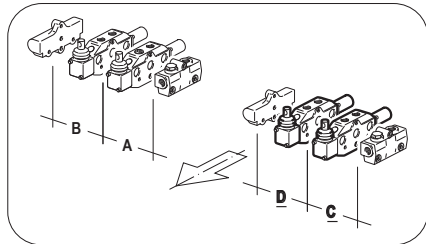
Pos.	Code	Q.ty	Description	Notes
1	58172304	0	HEAD	
2	58172011	0	S.A. VALVE	
3	58172489	0	COVER	
4	58172016	0	ROD	
5	F0843643060	0	WASHER 8	
6	31211080	0	NUT M8	
7	56172769	0	COMMAND LEVER	
8	56172770	0	COMMAND LEVER	
9	F0837534010	0	GRIP	
10	31211100	0	NUT M10	

SERIAL

ONE ADDITIONAL CONTROL VALVE FOR "AR"

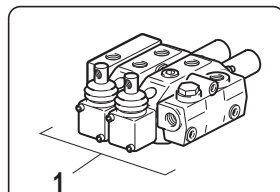
CODE REV

G0302_0_4169



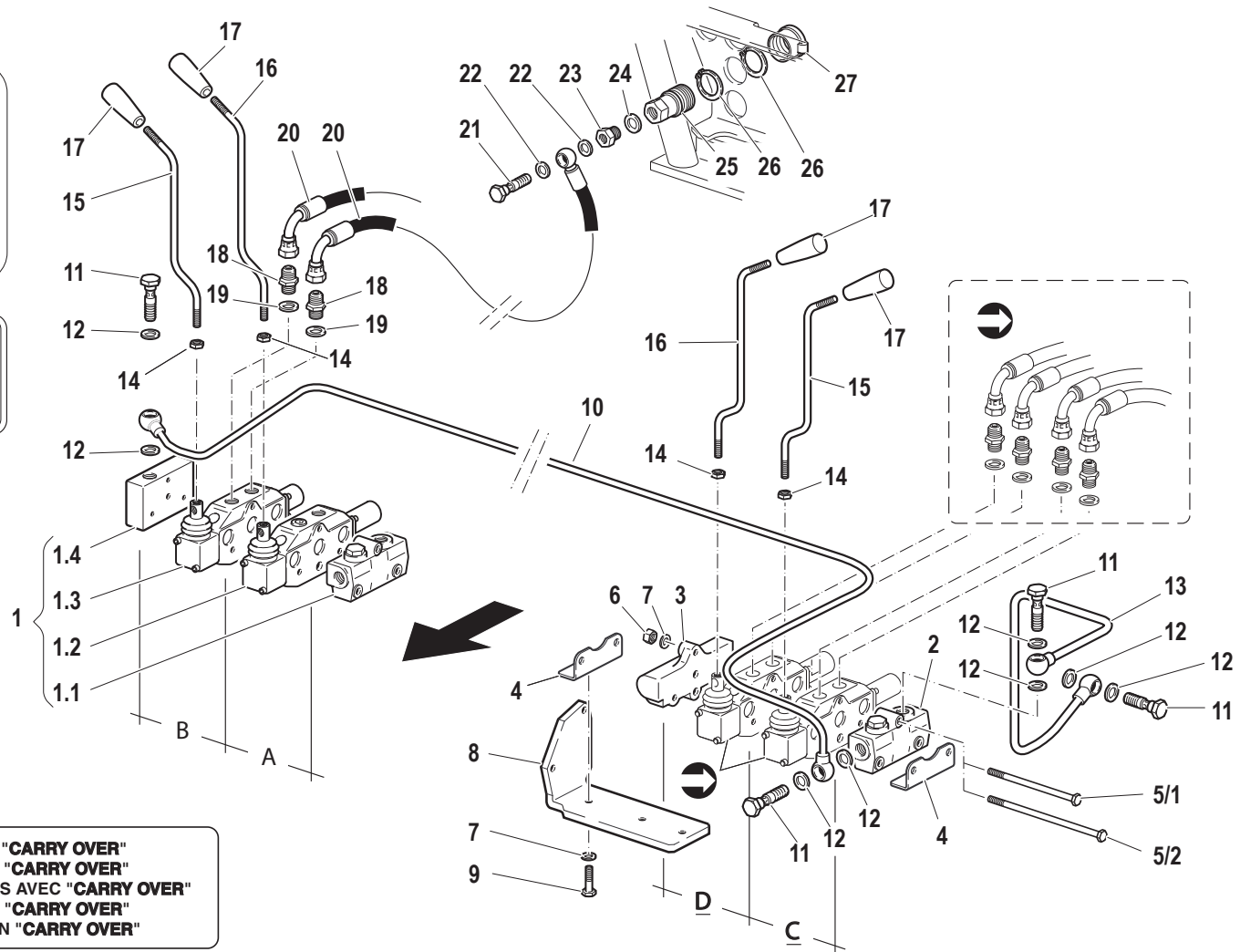
- VEDI TAVOLA...
 - SEE TABLE...
 - VOIR TABLE...
 - SIEHE TAFSEL...
 - MIRAR TABLA...

I.01.02-0

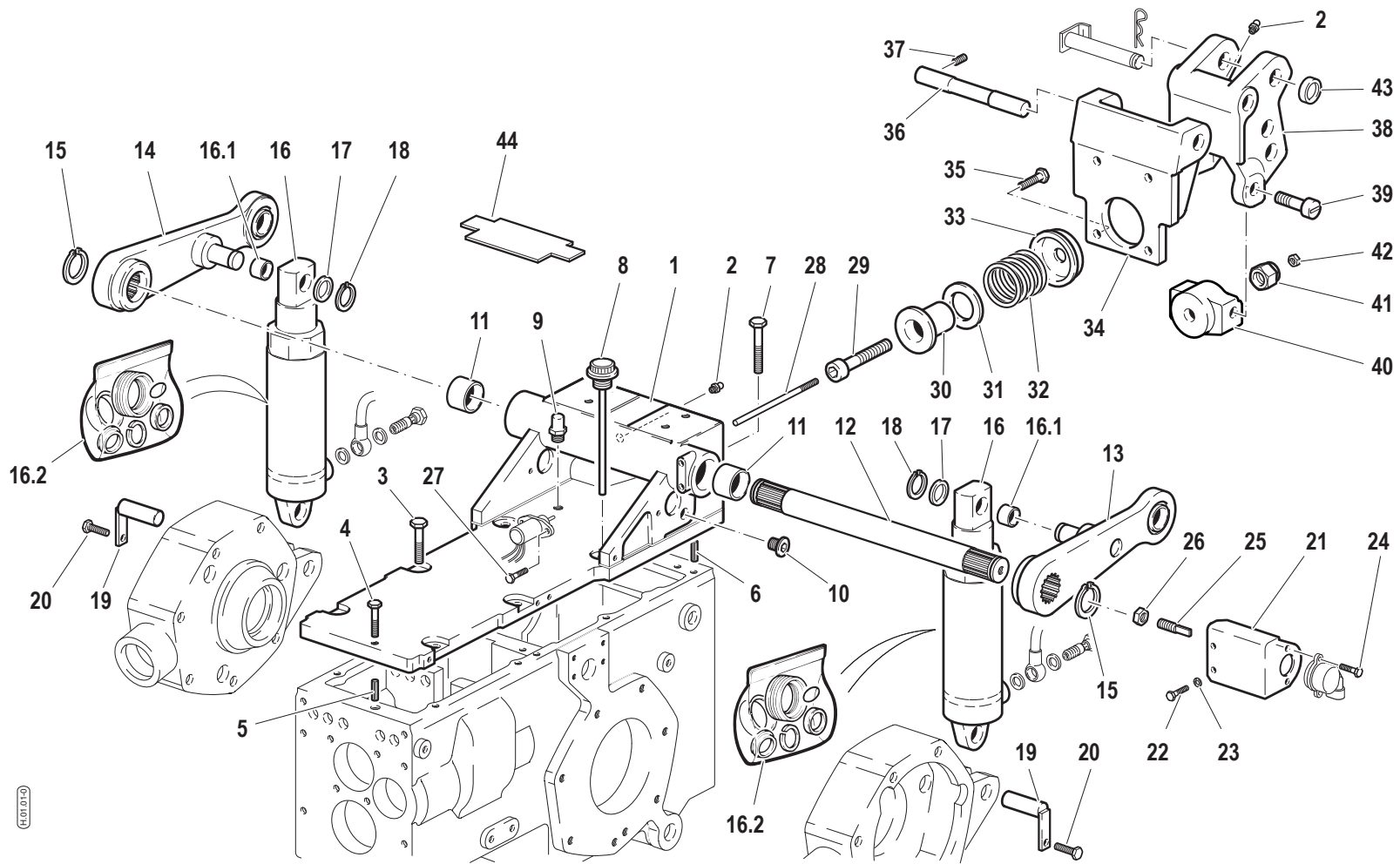


- GRUPPO DISTRIBUTORI CON "CARRY OVER"
 - CONTROL VALVES UNIT WITH "CARRY OVER"
 - GROUPE DES DISTRIBUTEURS AVEC "CARRY OVER"
 - STEUERGERÄTEGRUPPE MIT "CARRY OVER"
 - GRUPO DISTRIBUIDORES CON "CARRY OVER"

010102



Pos.	Code	Q.ty	Description	Notes
1	58172274	0	FLOATING DEVICE GROUP	
1.1	58172304	0	HEAD	
1.2	58172011	0	S.A. VALVE	
1.3	58172012	0	D.A. VALVE	
1.4	58173361	0	COVER	
3	58172489	0	COVER	
4	59072057	0	FIXING BRACKET	
5/1	58172490	0	ROD	
5/2	58172016	0	ROD	
6	31211080	0	NUT M8	
7	F0843643060	0	WASHER 8	
8	56172750	0	RETAINER	
9	31112146	0	SCREW TE M8X22 UNI 5739 8G	
10	59075593	1	PIPE	
11	F0843109020	0	PIPE FITTING	
12	F0824110000	0	COPPER WASHER 3/8 GAS	
13	59072787	0	EXHAUST	
14	31211100	0	NUT M10	
15	56172770	0	COMMAND LEVER	
16	56172769	0	COMMAND LEVER	
17	F0837534010	0	GRIP	
18	F0835023000	0	NIPPLE	
19	F0824110000	0	COPPER WASHER 3/8 GAS	
20	58072138	0	FLEXIBLE HOSE	
21	F0843107000	0	PIPE FITTING GAS 1/4	
22	F0843907000	0	COPPER WASHER 13,66x19/1,5	
23	F0835040020	0	REDUCTION	
24	F0824141000	0	COPPER WASHER 21x27/1,5	
25	F0825980030	0	COUPLING	
26	F0801297000	0	SEEGER RING E 40 UNI 7435	
27	F0852550010	0	GUARD	



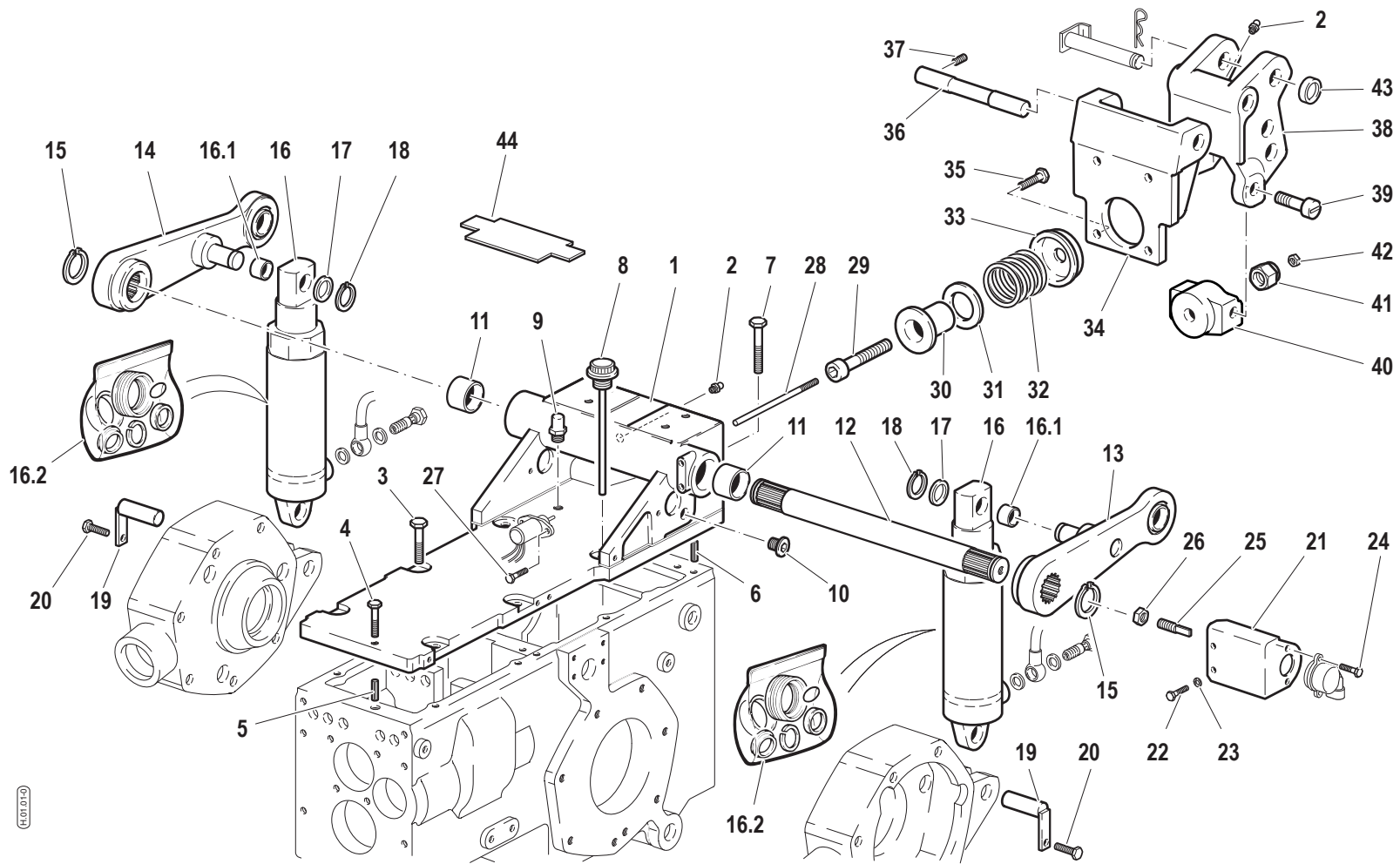
Pos.	Code	Q.ty	Description	Notes
1	51172366	0	SUPPORT	
2	F0826056000	0	LUBRICATOR M10 UNI 7663A	
3	31112219	0	SCREW TE M10X25 UNI 5739	
4	31112154	0	SCREW TE M8X40 UNI 5739 8G	
5	56170017	0	PIN	
6	56370228	0	CYLINDRICAL PLUG	
7	F0863358000	0	SCREW TE M10X40 UNI 5737	
8	58071805	0	PLUG	
9	30040005	0	PLUG	
10	58072045	0	PLUG	
11	58171861	0	BUSHING	
12	56571785	0	SHAFT	
13	59071783	0	LIFTING ARM	
14	59071771	0	RIGHT ARM	
15	F0801264050	0	SEEGER RING E 35X2,5 U/7436	
16	58071534	0	LIFTING CYLINDER	
16.1	59900180	0	BUSHING	
16.2	59900181	0	GASKET SET	
17	56172905	0	THRUST PLATE	
18	F0801149010	0	SEEGER RING E 20 7436D/471-2	
19	59071786	0	HINGE PIN	
20	31111151	0	SCREW TE M8X16 UNI 5739 8G	
21	56173022	0	SUPPORT	
22	31111091	0	SCREW E M6X14 UNI 5739 8G	
23	F0843570000	0	WASHER 6	
24	31112049	0	SCREW TE M4X10 UNI 5739 8G	
25	56172926	0	PIN	
26	F0814627000	0	NUT M10	
27	F0861929060	0	SCREW M5X12 UNI 5739	
28	56172483	0	PIN	
29	58072484	0	SCREW	
30	56072960	0	SLEEVE	
31	56372952	0	SHIM	
31	56372953	0	SHIM	

SERIAL

ELECTRONIC CONTROL LIFT (LIFT SUPPORT)

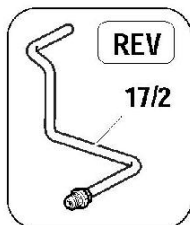
CODE REV

H0101_0_4286

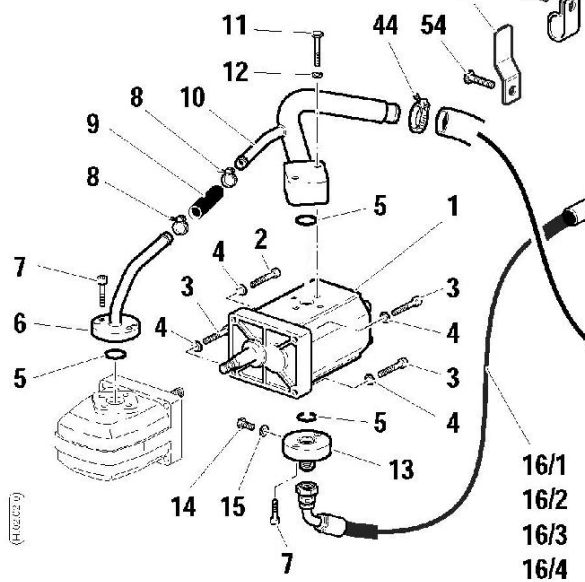
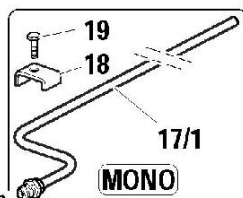
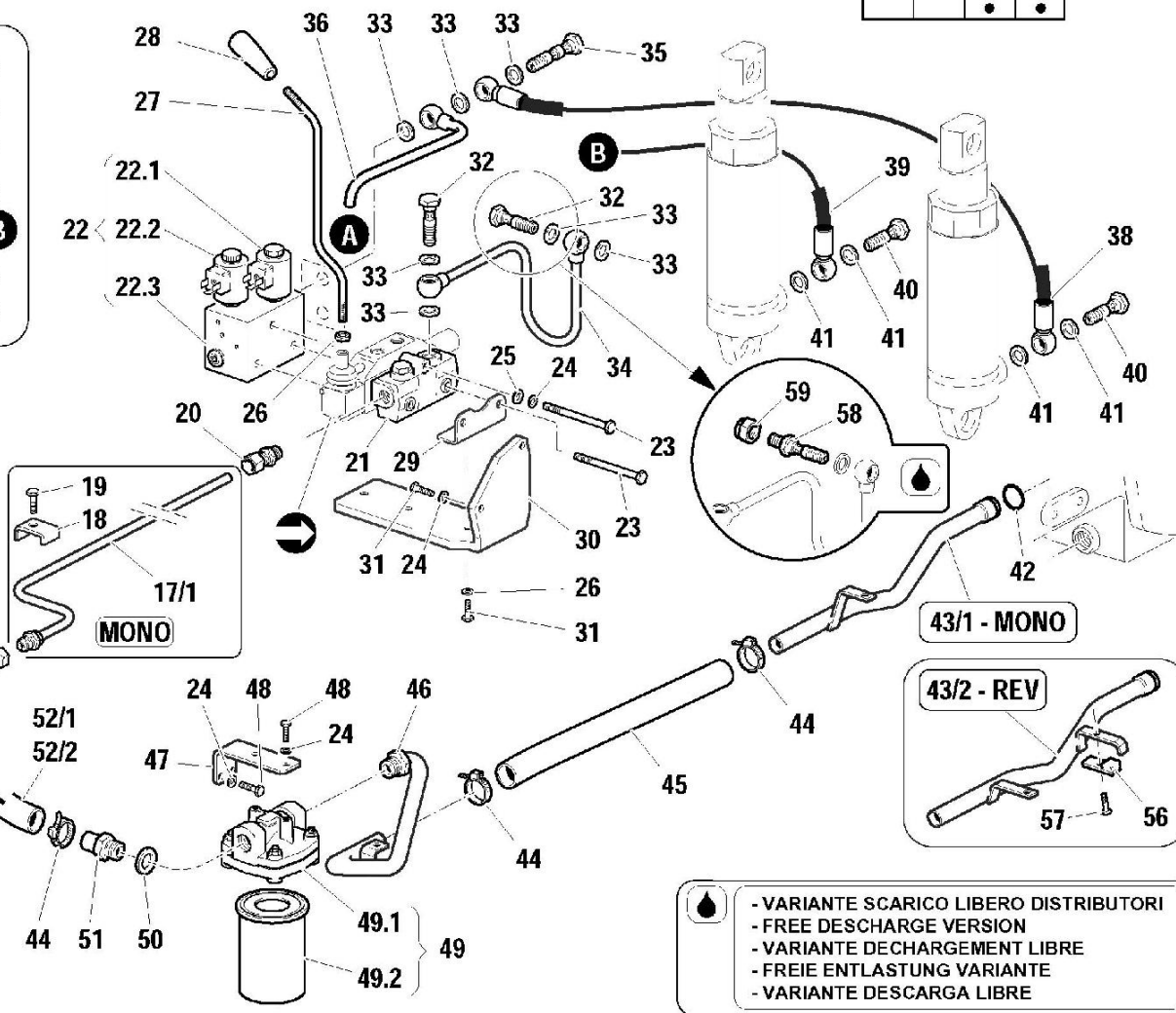
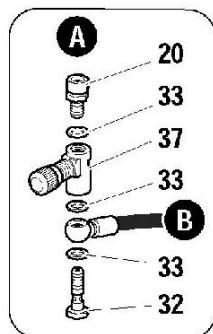


Pos.	Code	Q.ty	Description	Notes
31	56372954	0	SHIM	
31	56372955	0	SHIM	
32	58073192	0	SPRING	
33	56073148	0	SLEEVE	
34	51372479	0	BRACKET	
35	31112211	0	SCREW TE M10X30 UNI 5739	
36	56472318	0	HINGE PIN	
37	F0862443010	0	SCREW M8X10 UNI 5927	
38	51173115	0	THREE-POINT LINKAGE	
39	56572959	0	PIN	
40	51172962	0	SLEEVE	
41	31241142	0	SELFLOCK NUT M14x1,5	
42	F0814535050	0	NUT M6	
43	58071757	0	WASHER D.33x19,5/8	
44	573A0715	1	RUBBER	

RS-M	RS-R	AR-M	AR-R
		•	•



➔ - VEDI TAVOLA...
- SEE TABLE...
- VOIR TABLE...
- SIEHE TAFSEL...
- MIRAR TABLA...
I.01.02-0



• - VARIANTE SCARICO LIBERO DISTRIBUTORI
- FREE DISCHARGE VERSION
- VARIANTE DECHARGEMENT LIBRE
- FREIE ENTLASTUNG VARIANTE
- VARIANTE DESCARGA LIBRE

Pos.	Code	Q.ty	Description	Notes
1	58173636	0	LIFT PUMP	
2	31152060	0	SCREW TCEI M6X30 UNI 5931	
3	31152064	0	SCREW TCEI M6X25 UNI 5931	
4	31411064	0	WASHER 6,4x12,5	
5	F0803185000	0	O-RING 3068 (17,12x2,62)	
6	59074413	0	SUCTION PIPE	
7	31152057	0	SCREW TCEI M6X16 UNI 5931	
8	F0817514000	0	CLAMP	
9	F0256612913	0	PIPE	
10	59074412	0	SUCTION PIPE	
11	F0862345000	0	SCREW M6X40 UNI 5737	
12	F0843570000	0	WASHER 6	
13	F0825809000	0	PRESSURE PIPE CONNECTOR	
14	F0862462010	0	SCREW M8X1/12 UNI5740	
15	F0824022000	0	SPECIAL GASKET D.8,4X12/1	
16/1	58072470	0	FLEXIBLE HOSE	
16/2	58072800	0	FLEXIBLE HOSE	
16/3	58072132	0	FLEXIBLE HOSE	
16/4	58072799	0	FLEXIBLE HOSE	
17/1	59072145	0	PIPE	
17/2	59072785	0	PRESSURE PIPE	
18	56172183	0	BRACKET	
19	31112146	0	SCREW TE M8X22 UNI 5739 8G	
20	58172015	0	PIPE FITTING	
21	58172304	0	HEAD	
22	58173143	0	UNIT	
22.1	59900231	0	PRESSURE VALVE	
22.2	59900232	0	BLOW VALVE	
22.3	59900225	0	BLOCCH SOLL ELETTR SF/C 36-48	
23	31112158	0	SCREW TE M8X70 UNI 5737 8G	
24	F0843643060	0	WASHER 8	
25	31411084	0	WASHER 8,4x17	
26	31211100	0	NUT M10	
27	56172769	0	COMMAND LEVER	

SERIAL

ELECTRONIC CONTROL LIFT (HYDRAULIC SYSTEM)

CODE REV

H0202_0_4405

Pos.	Code	Q.ty	Description	Notes
28	F0837534010	0	GRIP	
29	59072057	0	FIXING BRACKET	
30	56172561	0	RETAINER	
31	31112146	0	SCREW TE M8X22 UNI 5739 8G	
32	F0843109020	0	PIPE FITTING	
33	F0824110000	0	COPPER WASHER 3/8 GAS	
34	59073160	0	EXHAUST	
35	58172589	0	THREADED TERMINAL END	
36	59074664	0	PRESSURE PIPE	
37	P24117100000	0	VALVE	
38	58073020	0	FLEXIBLE HOSE	
39	58073544	0	FLEXIBLE HOSE	
40	F0843107000	0	PIPE FITTING GAS 1/4	
41	F0843907000	0	COPPER WASHER 13,66x19/1,5	
42	38112507	0	O-RING 3100 (25,07X2,62)	
43/1	59072410	0	SUCTION PIPE	
43/2	59072893	0	SUCTION PIPE	
44	F0817523010	0	CLAMP	
45	58170352	0	FLEXIBLE HOSE	
46	59072408	0	SUCTION PIPE	
47	56172411	0	FILTER SUPPORT	
48	31111151	0	SCREW TE M8X16 UNI 5739 8G	
49	F0825718000	0	FILTER	
49.1	F0825718010	0	FILTER HEAD	
49.2	F0825718020	0	FILTER INSERT	
50	F0824185000	0	COPPER WASHER 26X34X1,5	
51	56170350	0	PIPE FITTING	
52/1	58172607	0	FLEXIBLE HOSE	
52/2	58172907	0	FLEXIBLE HOSE	
53	56173247	0	BRACKET	
54	31112270	0	SCREW TE M12X20 UNI 5739	
55	58073300	0	HOSE CLIP	
56	59072826	0	BRACKET	
57	31112089	0	SCREW TE M6X25 UNI 5739 8G	

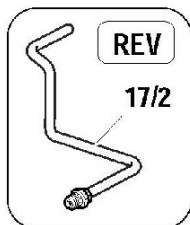
SERIAL

ELECTRONIC CONTROL LIFT (HYDRAULIC SYSTEM)

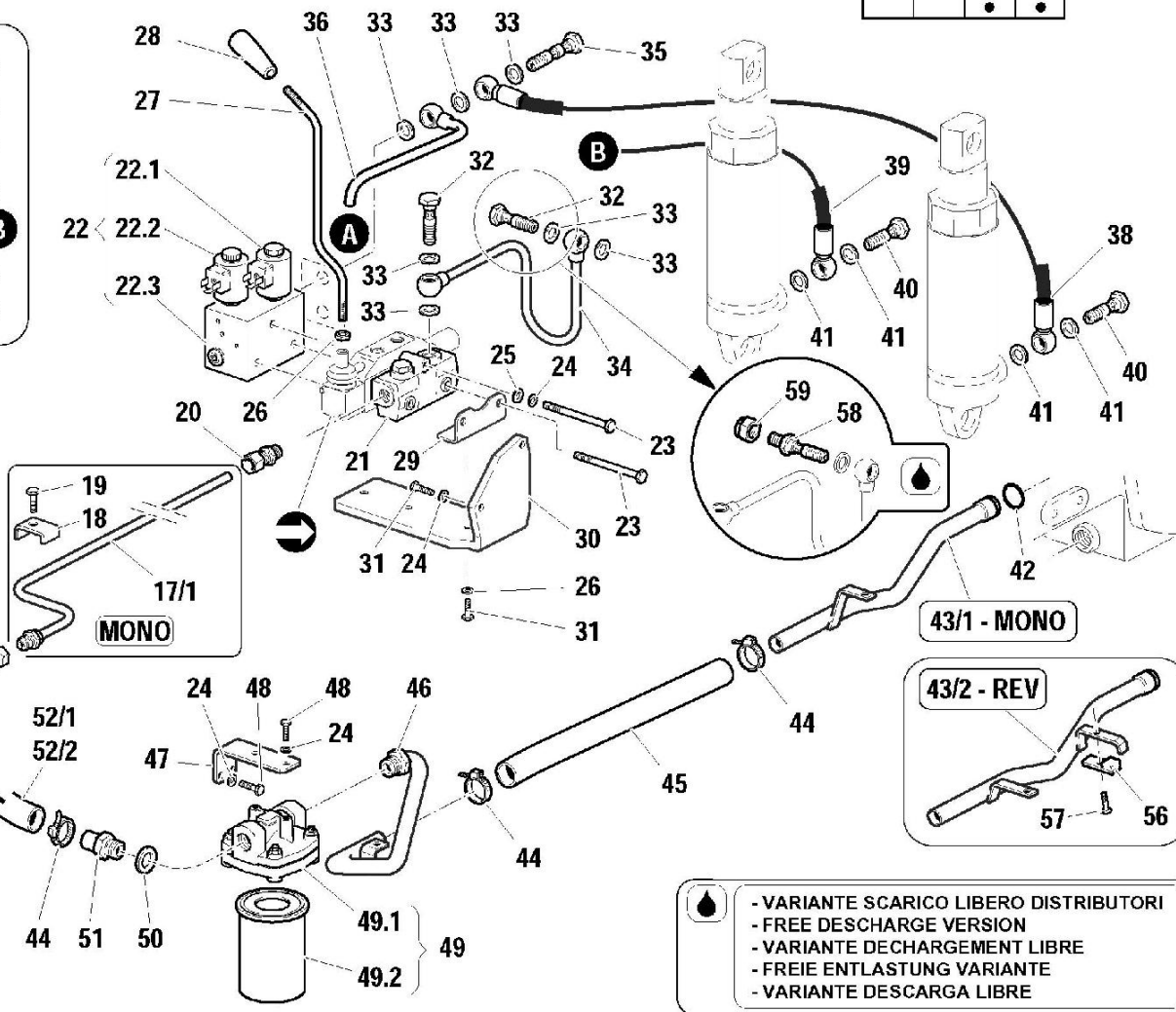
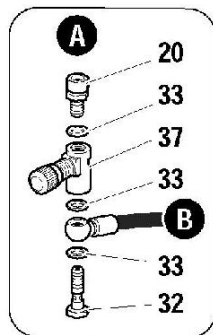
CODE REV

H0202_0_4405

RS-M	RS-R	AR-M	AR-R
		•	•



➔ - VEDI TAVOLA...
- SEE TABLE...
- VOIR TABLE...
- SIEHE TAFSEL...
- MIRAR TABLA...
I.01.02-0



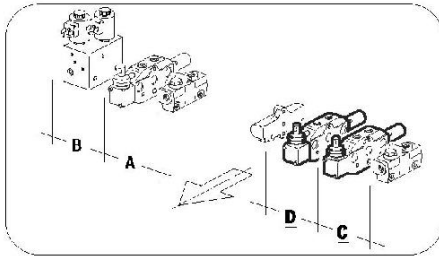
• - VARIANTE SCARICO LIBERO DISTRIBUTORI
- FREE DISCHARGE VERSION
- VARIANTE DECHARGEMENT LIBRE
- FREIE ENTLASTUNG VARIANTE
- VARIANTE DESCARGA LIBRE

(PAG. 2/2)

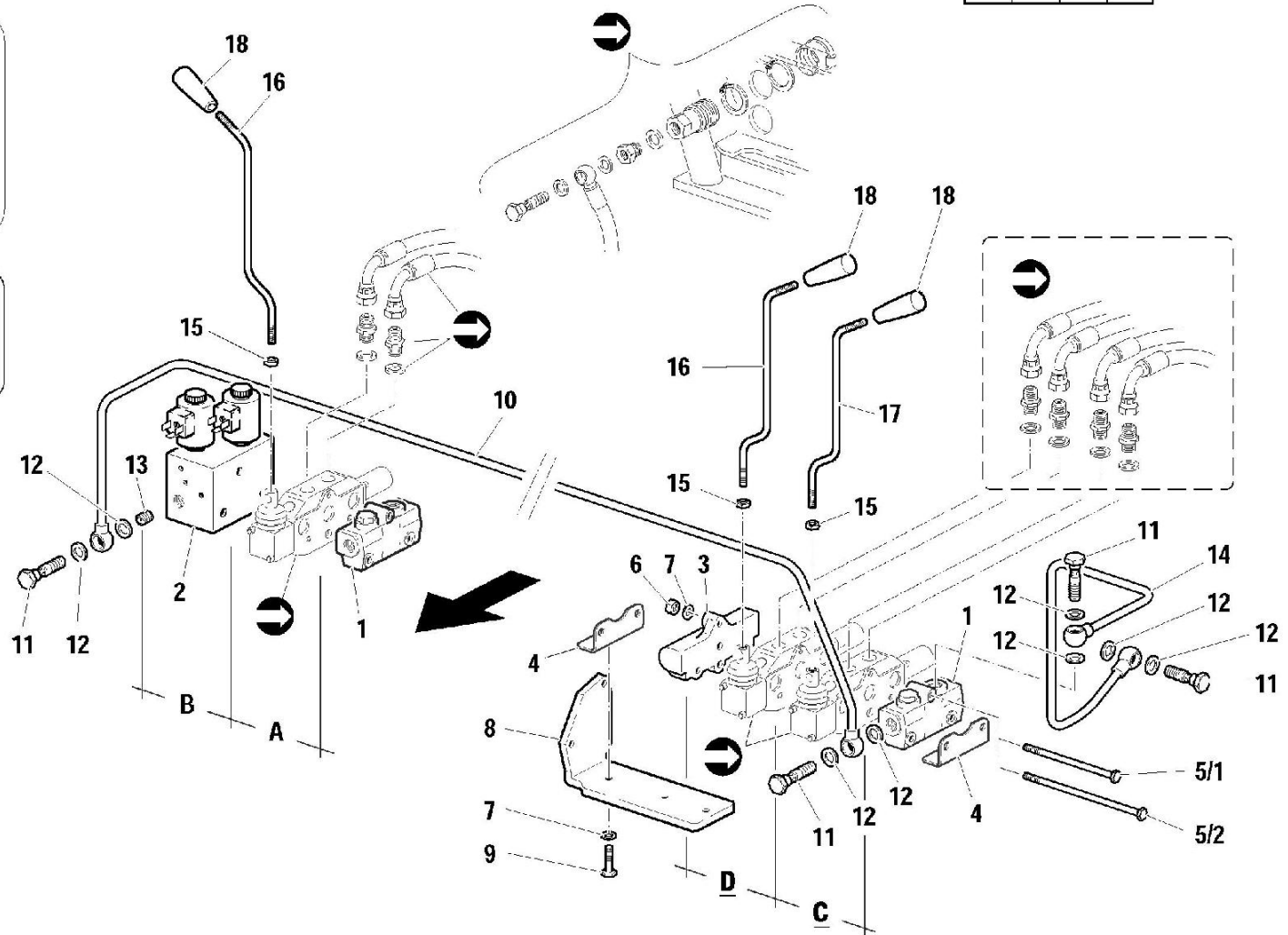
Pos.	Code	Q.ty	Description	Notes
58	56373163	0	PIPE UNION	
59	F0852589000	0	PLUG	

1 O 2 DISTRIBUTORI SUPPLEMENTARI PER "AR" CON SOLLEV. A CONTROLLO ELETRR.
 1 OR 2 ADDITIONAL CONTROL VALVES FOR "AR" WITH ELECTR. LIFT
 1 OU 2 DISTRIBUTEURS SUPPLEMENTAIRES POUR "AR" AVEC RELEVAGE A CONTROLE ELECTR.
 1 ODER 2 ZUSATZSTEUERGERÄTE FÜR "AR" SCHLEPPER MIT ELEKTR. HUBSTEUERUNG
 1 O 2 DISTRIBUIDORES ADICIONALES PARA "AR" CON ELEVADOR ELECTRONICO

RS-M	RS-R	AR-M	AR-R
		•	•

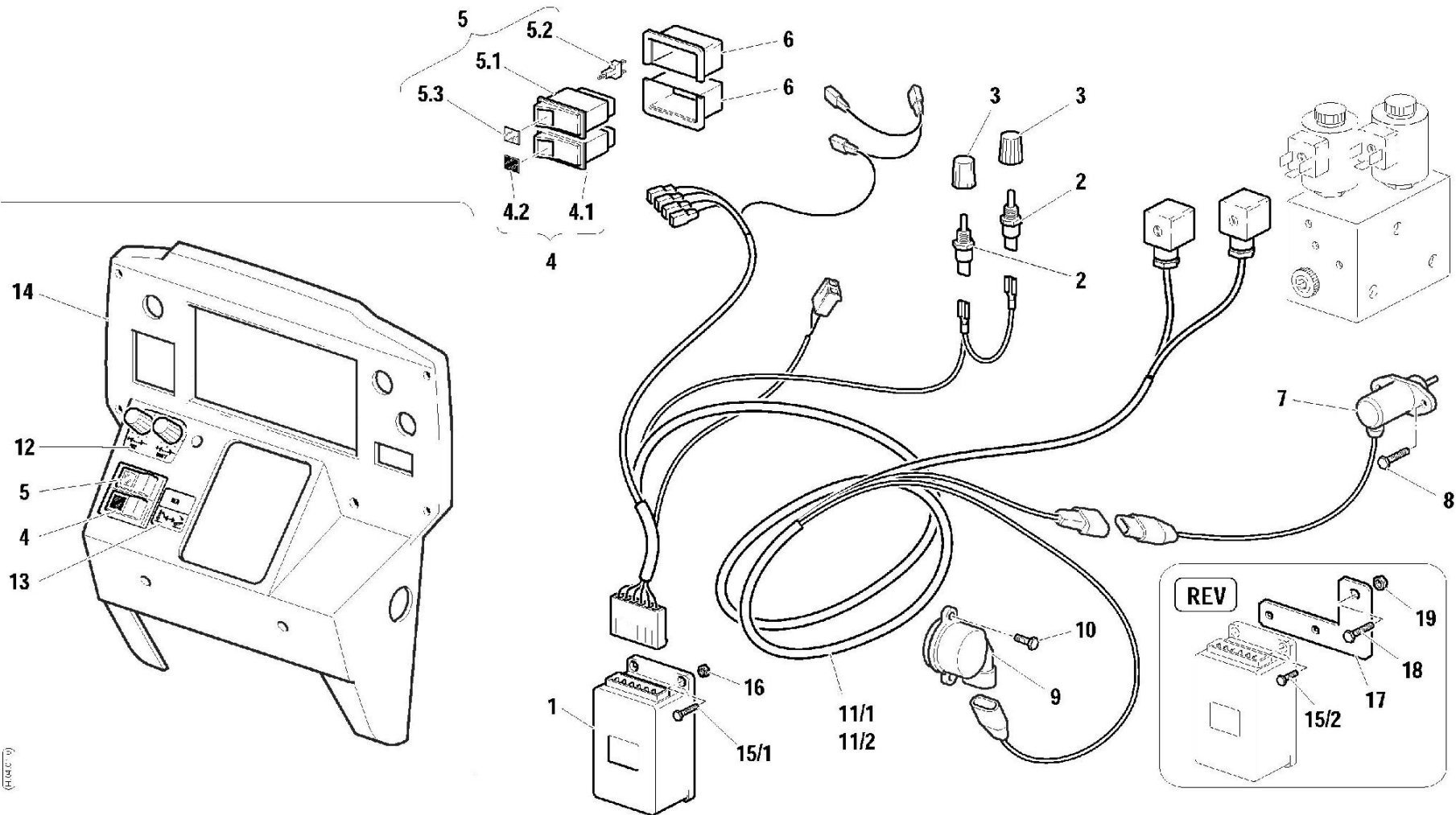


➔ - VEDI TAVOLA...
 - SEE TABLE...
 - VOIR TABLE...
 - SIEHE TAFEL...
 - MIRAR TABLA...
I.01.02-0



Pos.	Code	Q.ty	Description	Notes
1	58172304	0	HEAD	
2	58173143	0	UNIT	
3	58172489	0	COVER	
4	59072057	0	FIXING BRACKET	
5/1	58172490	0	ROD	
5/2	58172016	0	ROD	
6	31211080	0	NUT M8	
7	F0843643060	0	WASHER 8	
8	56172750	0	RETAINER	
9	31112146	0	SCREW TE M8X22 UNI 5739 8G	
10	59073021	0	PIPE	
11	F0843109020	0	PIPE FITTING	
12	F0824110000	0	COPPER WASHER 3/8 GAS	
13	F0852578060	0	CONICAL PLUG	
14	59072787	0	EXHAUST	
15	31211100	0	NUT M10	
16	56172769	0	COMMAND LEVER	
17	56172770	0	COMMAND LEVER	
18	F0837534010	0	GRIP	

RS-M	RS-R	AR-M	AR-R
•	•	•	•



Pos.	Code	Q.ty	Description	Notes
1	58173144	0	CENTRAL PROCESSING UNIT	
2	58173866	0	POTENTIOMETER	
3	58172978	0	KNOB	
4	58172979	0	CHANGE-OVER SWITCH	
4.1	58173118	0	SWITCH	
4.2	58173123	0	GLASS	
5	58172980	0	CHANGE-OVER SWITCH	
5.1	58173117	0	SWITCH	
5.2	58173119	0	LAMP	
5.3	58173122	0	GLASS	
6	58170376	0	TERMINAL FOR SWITCH	
7	59073060	0	SENSOR	
8	F0861929060	0	SCREW M5X12 UNI 5739	
9	58172982	0	SENSOR	
10	31112049	0	SCREW TE M4X10 UNI 5739 8G	
11/1	58173864	0	WIRING	
11/2	58173865	0	WIRING	
12	58073018	0	PLATE	
13	58073019	0	PLATE	
14	55274442	0	INSTRUMENT PANEL	
15/1	31111084	0	SCREW TE M4X16 UNI 5739 8G	
15/2	31112049	0	SCREW TE M4X10 UNI 5739 8G	
16	31211040	0	NUT M4	
17	56173056	0	RETAINER	
18	31112082	0	SCREW TE M6X12 UNI 5739 8G	
19	31212060	0	NUT M6	

SERIAL

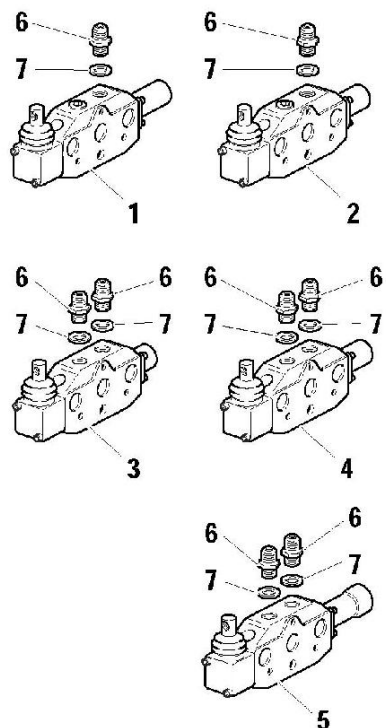
ELECTRONIC CONTROL LIFT (ELECTRICAL SYSTEM)

CODE REV

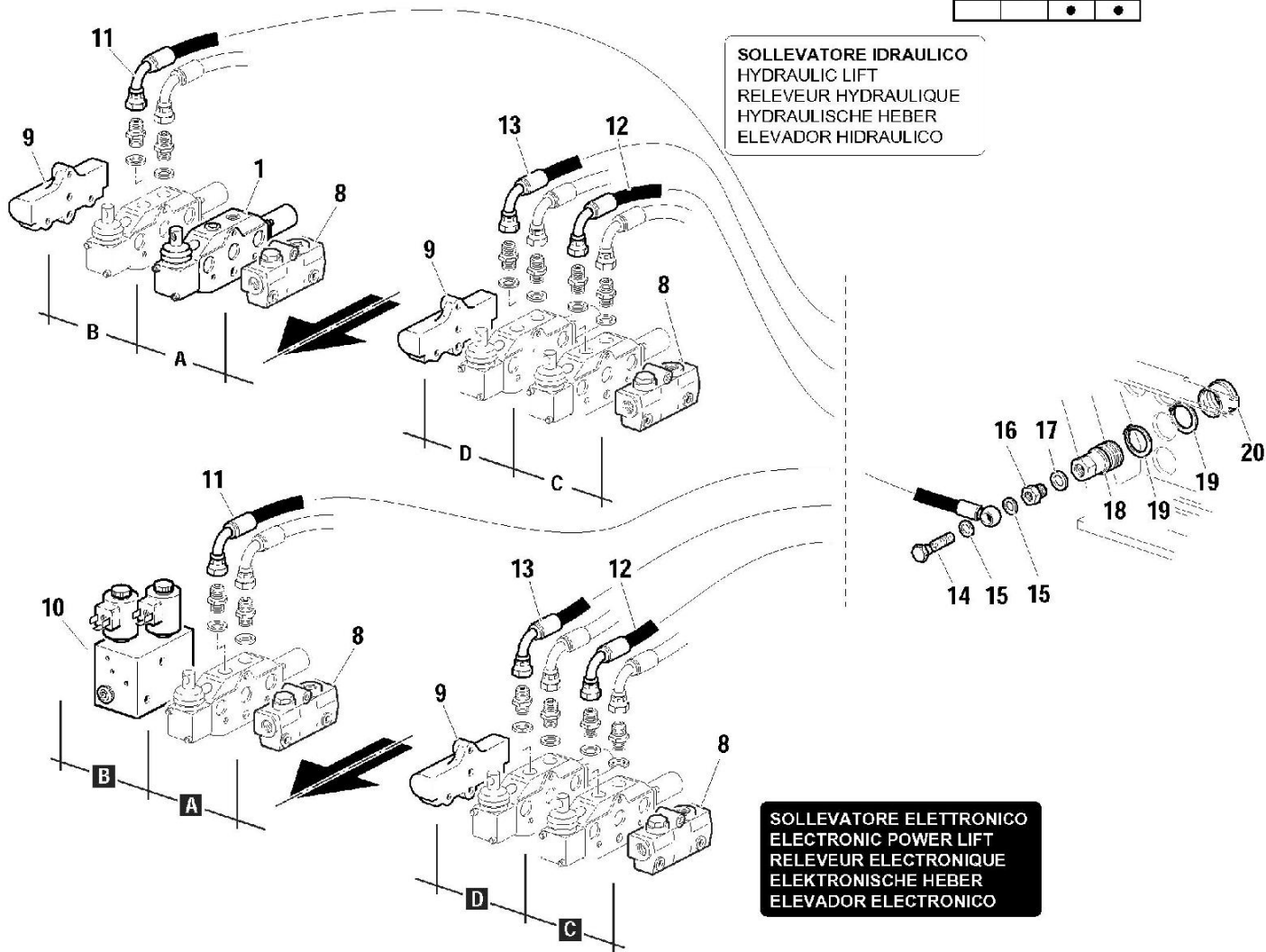
H0401_0_4504

RS-M	RS-R	AR-M	AR-R
		•	•

DISTRIBITORI DISPONIBILI
AVAILABLE CONTROL VALVES
DISTRIBUTEURS DISPONIBLES
VERFÜGBAR STEUERGERÄTE
DISTRIBUIDORES DISPONIBLES



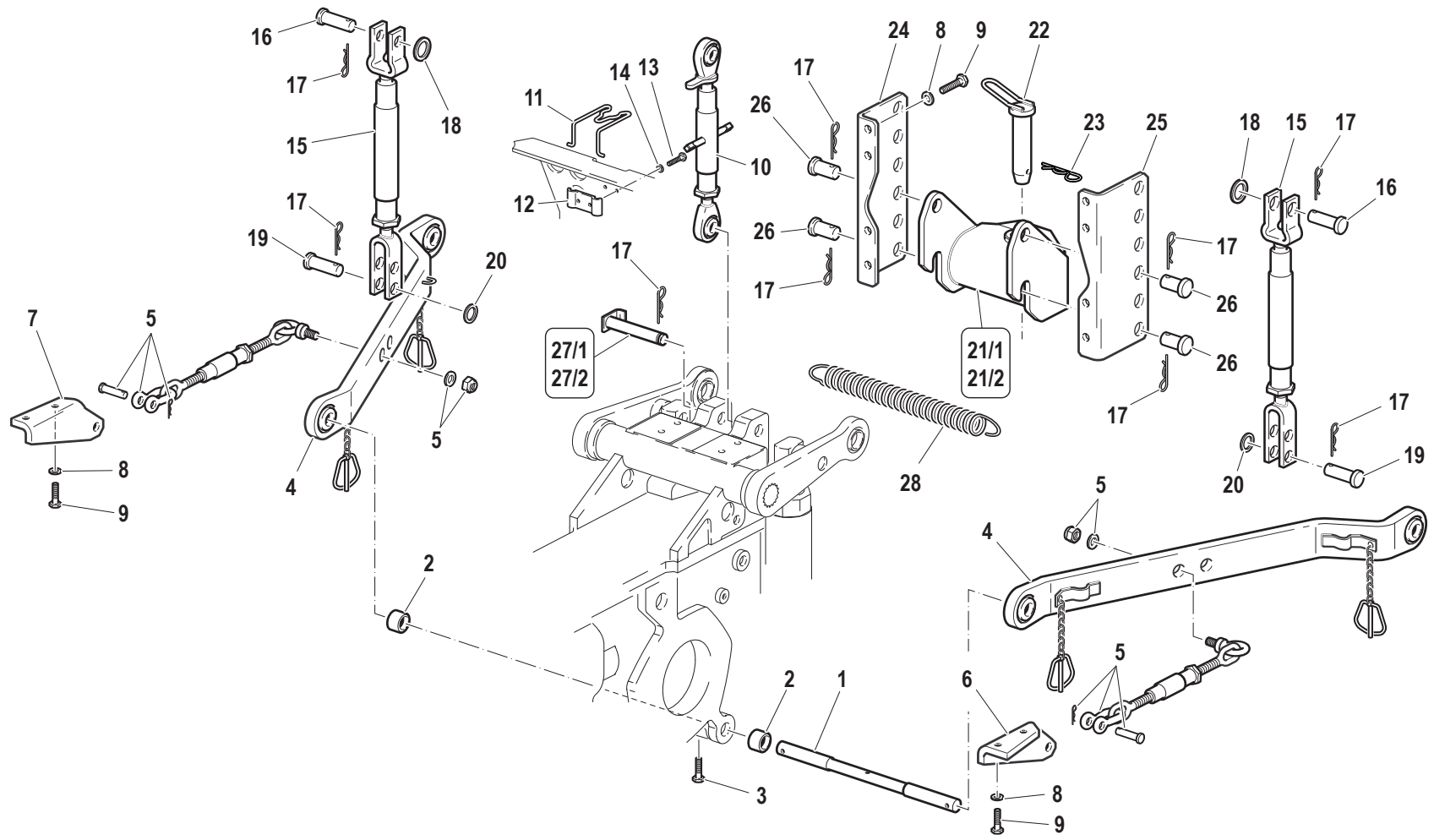
(10/01/01)



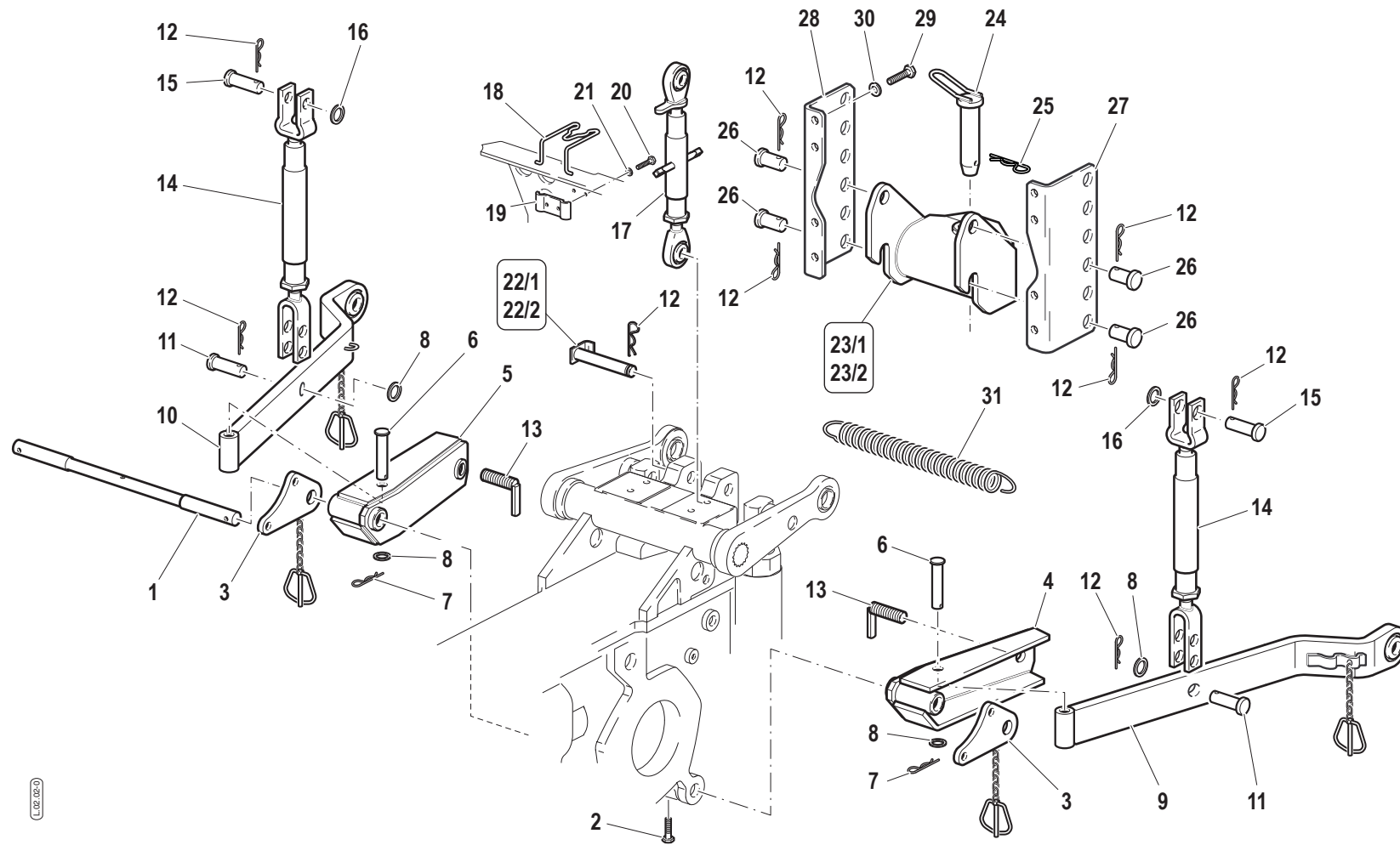
SOLLEVATORE IDRAULICO
HYDRAULIC LIFT
RELEVEUR HYDRAULIQUE
HYDRAULISCHE HEBER
ELEVADOR HIDRAULICO

SOLLEVATORE ELETTRONICO
ELECTRONIC POWER LIFT
RELEVEUR ELECTRONIQUE
ELEKTRONISCHE HEBER
ELEVADOR ELECTRONICO

Pos.	Code	Q.ty	Description	Notes
1	58172011	0	S.A. VALVE	
2	58172707	0	S.A. VALVE	
3	58172012	0	D.A. VALVE	
4	58172013	0	D.A. VALVE	
5	58172014	0	D.A. VALVE	
6	F0835023000	0	NIPPLE	
7	F0824110000	0	COPPER WASHER 3/8 GAS	
8	58172304	0	HEAD	
9	58172489	0	COVER	
10	58173143	0	UNIT	
11	58072138	0	FLEXIBLE HOSE	
12	58072795	0	FLEXIBLE HOSE	
13	58072796	0	FLEXIBLE HOSE	
14	F0843107000	0	PIPE FITTING GAS 1/4	
15	F0843907000	0	COPPER WASHER 13,66x19/1,5	
16	F0835040020	0	REDUCTION	
17	F0824141000	0	COPPER WASHER 21x27/1,5	
18	F0825980030	0	COUPLING	
19	F0801297000	0	SEEGER RING E 40 UNI 7435	
20	F0852550010	0	GUARD	



Pos.	Code	Q.ty	Description	Notes
1	56571824	0	PIN	
2	F0844283020	0	SPACER D.38x22/22	
3	31111151	0	SCREW TE M8X16 UNI 5739 8G	
4	59073045	0	BOTTOM LINK	
5	58071998	0	ROD	
6	56074233	0	SUPPORT	
7	56074234	0	SUPPORT	
8	F0843843060	0	WASHER 12	
9	31112272	0	SCREW TE M12X30 UNI 5739	
10	58176294	1	ROD	
11	58170449	0	RETAINING SPRING	
12	59070448	0	FIXING BRACKET	
13	31112150	0	SCREW TE M8X20 UNI 5739 8G	
14	F0843643060	0	WASHER 8	
15	58072626	0	ROD	
16	58072642	0	PIN	
17	F0851486000	0	SPLIT PIN	
18	31411190	0	WASHER 19x34	
19	56372086	0	PIN	
20	31411170	0	WASHER 17x30	
21/1	F0190031203	1	TOW HOOK	
21/2	590A0728	1	TOW HOOK	
22	F0808060100	0	LATCH D.28X117	
23	F0851497000	0	SPLIT PIN	
24	56171789	0	SUPPORT	
25	56171788	0	SUPPORT	
26	56372067	0	PIN	
27/1	56371210	1	CONNECTING BOLT	
27/2	59078588	1	CONNECTING BOLT	
28	58072465	0	RETAINING SPRING	



(L 02 02 0)

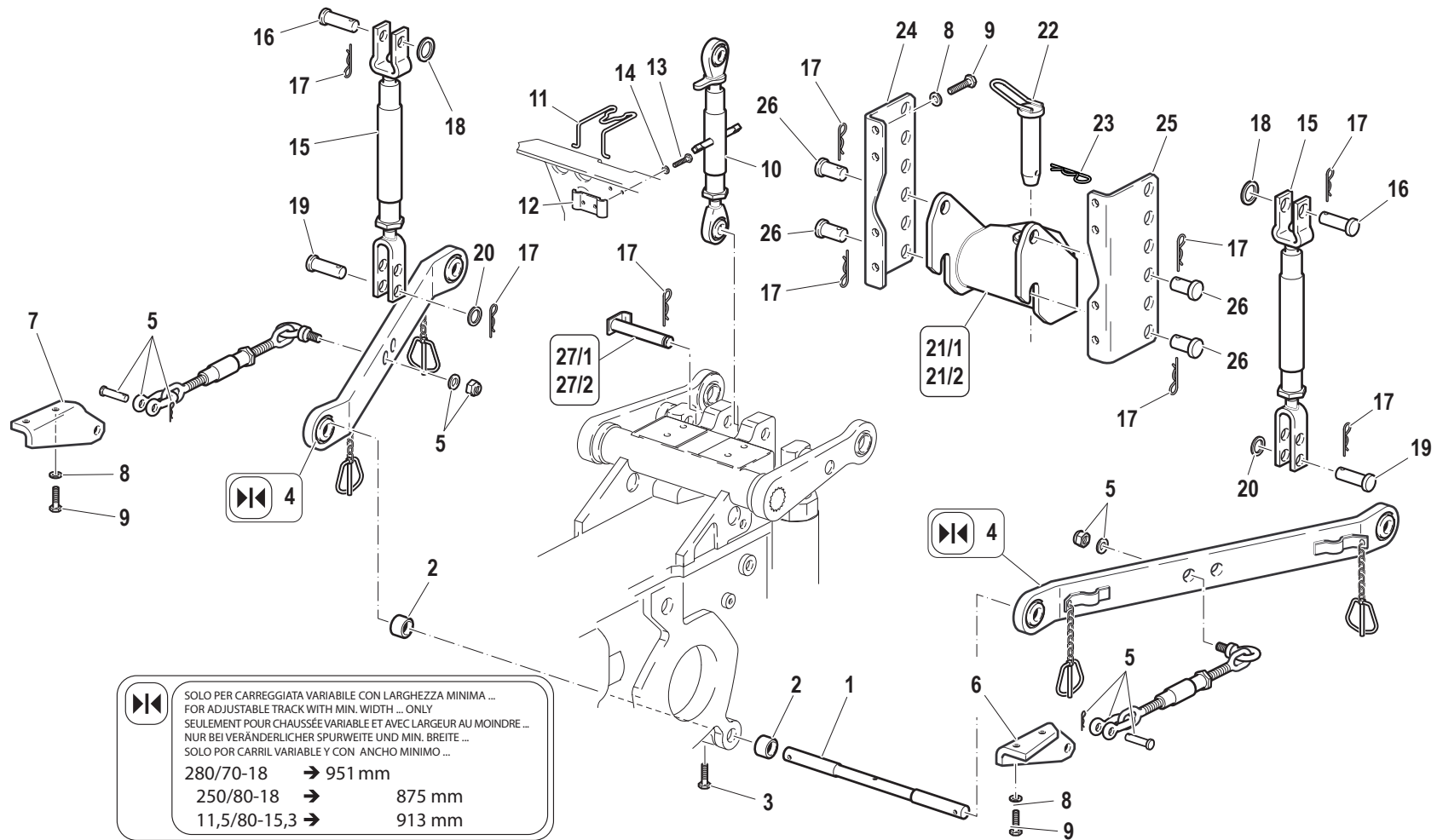
Pos.	Code	Q.ty	Description	Notes
1	56572337	0	ROD	
2	31111151	0	SCREW TE M8X16 UNI 5739 8G	
3	59272323	0	PLATE	
4	59072276	0	SUPPORT	
5	59072275	0	SUPPORT	
6	56372346	0	PIN	
7	F0810617050	0	SPLIT PIN A4X30 UNI 1336	
8	31411170	0	WASHER 17x30	
9	59072334	0	BOTTOM LINK	
10	59072330	0	BOTTOM LINK	
11	56372086	0	PIN	
12	F0851486000	0	SPLIT PIN	
13	59072347	0	PIN	
14	58072626	0	ROD	
15	58072642	0	PIN	
16	31411190	0	WASHER 19x34	
17	58176294	1	ROD	
18	58170449	0	RETAINING SPRING	
19	59070448	0	FIXING BRACKET	
20	31112150	0	SCREW TE M8X20 UNI 5739 8G	
21	F0843643060	0	WASHER 8	
22/1	56371210	1	CONNECTING BOLT	
22/2	59078588	1	CONNECTING BOLT	
23/1	F0190031203	1	TOW HOOK	
23/2	590A0728	1	TOW HOOK	
24	F0808060100	0	LATCH D.28X117	
25	F0851497000	0	SPLIT PIN	
26	56372067	0	PIN	
27	56171788	0	SUPPORT	
28	56171789	0	SUPPORT	
29	31112272	0	SCREW TE M12X30 UNI 5739	
30	F0843843060	0	WASHER 12	
31	58072465	0	RETAINING SPRING	

SERIAL

ATTACHMENT HITCH (VARIANT)

CODE REV

L0202_0_4630



SOLO PER CARREGGIATA VARIABILE CON LARGHEZZA MINIMA ...
 FOR ADJUSTABLE TRACK WITH MIN. WIDTH ... ONLY
 SEULEMENT POUR CHAUSSÉE VARIABLE ET AVEC LARGEUR AU MOINDRE ...
 NUR BEI VERÄNDERLICHER SPURWEITE UND MIN. BREITE ...
 SOLO POR CARRIL VARIABLE Y CON ANCHO MINIMO ...

280/70-18	→	951 mm
250/80-18	→	875 mm
11,5/80-15,3	→	913 mm

Pos.	Code	Q.ty	Description	Notes
1	56571824	0	PIN	
2	F0844283020	0	SPACER D.38x22/22	
3	31111151	0	SCREW TE M8X16 UNI 5739 8G	
4	59071807	0	BOTTOM LINK	
5	58071998	0	ROD	
6	56074233	0	SUPPORT	
7	56074234	0	SUPPORT	
8	F0843843060	0	WASHER 12	
9	31112272	0	SCREW TE M12X30 UNI 5739	
10	F0060031247	0	3-POINT HITCH	
11	58170449	0	RETAINING SPRING	
12	59070448	0	FIXING BRACKET	
13	31112150	0	SCREW TE M8X20 UNI 5739 8G	
14	F0843643060	0	WASHER 8	
15	58072626	0	ROD	
16	58072642	0	PIN	
17	F0851486000	0	SPLIT PIN	
18	31411190	0	WASHER 19x34	
19	56372086	0	PIN	
20	31411170	0	WASHER 17x30	
21/14	F0190031203	1	TOW HOOK	
21/2	590A0728	1	TOW HOOK	
22	F0808060100	0	LATCH D.28X117	
23	F0851497000	0	SPLIT PIN	
24	56171789	0	SUPPORT	
25	56171788	0	SUPPORT	
26	56372067	0	PIN	
27/1	56371210	1	CONNECTING BOLT	
27/2	59078588	1	CONNECTING BOLT	

SERIAL

ATTACHMENT HITCH (STRAIGHT ARMS VERSION)

CODE REV

L0203_0_4662

RS-M	RS-R	AR-M	AR-R
•	•	•	•

VARIANTE NON COMPATIBILE CON QUELLA ILLUSTRATA IN TAVOLA...

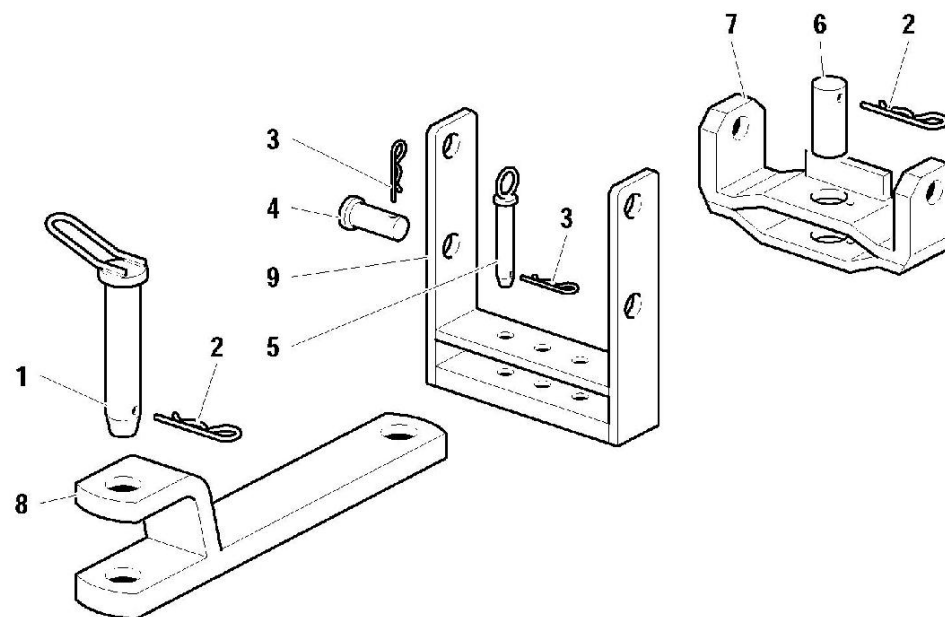
VARIANT INCOMPATIBLE WITH THE ONE IN TABLE...

VARIANTE INCOMPATIBLE AVEC CELLE DE TABLE....

VARIANTE UNVEREINBAR MIT DIER IN TAFTEL...

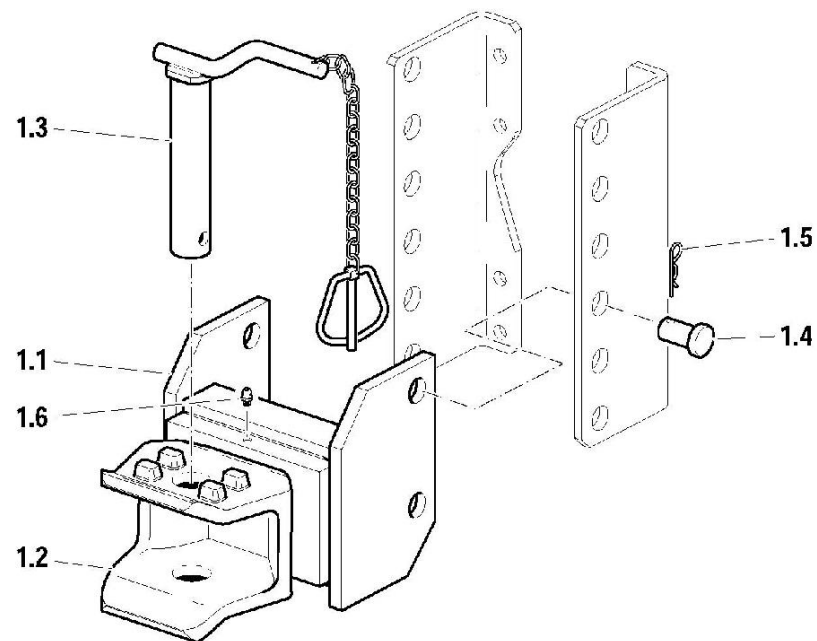
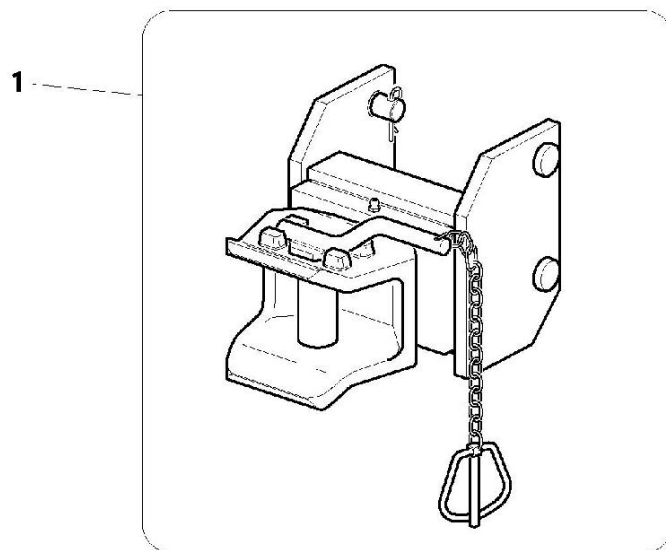
VARIANTE INCOMPATIBLE CON AQUELLA DE TABLA...

L.02.02-0



Pos.	Code	Q.ty	Description	Notes
1	56073155	0	PIN	
2	F0851497000	0	SPLIT PIN	
3	F0851486000	0	SPLIT PIN	
4	56372067	0	PIN	
5	56073153	0	INDEXING BOLT	
6	56373502	0	HINGE PIN	
7	59073373	0	RH HINGE	
8	59073151	0	ROD	
9	59073374	0	HOLDER	

RS-M	RS-R	AR-M	AR-R
•	•	•	•



Pos.	Code	Q.ty	Description	Notes
1	59375017	0	TOW HOOK	
1.1	56075018	0	HOOK HINGING GROUP	
1.2	51175011	0	EEC HOMOLOGATED HOOK	
1.3	59075012	0	PIN	
1.4	56377980	1	PIN	
1.5	F0851486000	0	SPLIT PIN	
1.6	F0826056000	0	LUBRICATOR M10 UNI 7663A	

Pos.	Code	Q.ty	Description	Notes
1	41S80000	1	MOT LOMB LDW1503/B2 K2A96C2 *	
1.1	59900192	1	FUEL FILTER	
1.2	59900193	1	FILTER INSERT	
1.3	59900194	1	OIL FILTER	
1.4	58173442	1	FAN	
1.5	F0824812000	1	GASKET	
1.6	59900195	1	ENGINE BELT	
1.7	F0834378001	1	CENTRAL PROCESSING UNIT	
2	59074276	1	FILTER SUPPORT	
3	31112219	1	SCREW TE M10X25 UNI 5739	
4	31411105	1	WASHER 10,5x21	
5	31112270	1	SCREW TE M12X20 UNI 5739	
6	F0843843060	1	WASHER 12	
7	59074278	1	EXHAUST MANIFOLD	
8	58170580	1	COLLAR	
9	56174275	1	FIXING BRACKET	
10	58171761	1	EXHAUST SILENCER	
11	31112148	1	SCREW TE M8X18 UNI 5739 8G	
12	F0843643060	1	WASHER 8	
13	F0861929060	1	SCREW M5X12 UNI 5739	
14	F0843561000	1	WASHER 5	
15	F0814525000	1	NUT M5	

SERIAL
START
904040

ENGINE (40 CV)
Power: 40 CV

CODE REV
A0101_1_63226

Pos.	Code	Q.ty	Description	Notes
1	41S90000	1	MOT LOMB LDW2204/B1 K2B24C1 *	
1.1	59900192	1	FUEL FILTER	
1.2	59900193	1	FILTER INSERT	
1.3	59900194	1	OIL FILTER	
1.4	58173442	1	FAN	
1.5	F0824812000	1	GASKET	
1.6	59900196	1	ENGINE BELT	
1.7	F0834378001	1	CENTRAL PROCESSING UNIT	
2	59074276	1	FILTER SUPPORT	
3	31112219	1	SCREW TE M10X25 UNI 5739	
4	31411105	1	WASHER 10,5x21	
5	31112270	1	SCREW TE M12X20 UNI 5739	
6	F0843843060	1	WASHER 12	
7	59074277	1	EXHAUST MANIFOLD	
8	58170580	1	COLLAR	
9	56174275	1	FIXING BRACKET	
10	58171761	1	EXHAUST SILENCER	
11	31112148	1	SCREW TE M8X18 UNI 5739 8G	
12	F0843643060	1	WASHER 8	
13	F0861929060	1	SCREW M5X12 UNI 5739	
14	F0843561000	1	WASHER 5	
15	F0814525000	1	NUT M5	

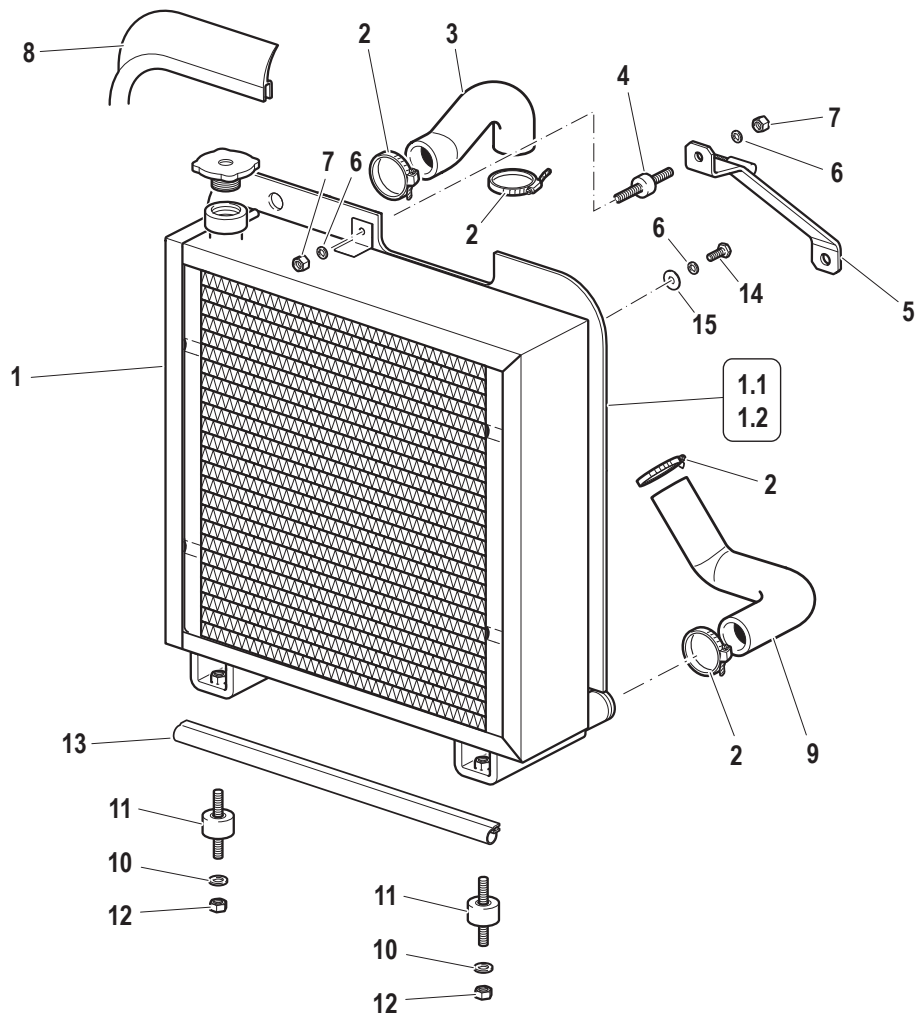
SERIAL
START
904040

ENGINE (50 CV)

Power: 50 CV

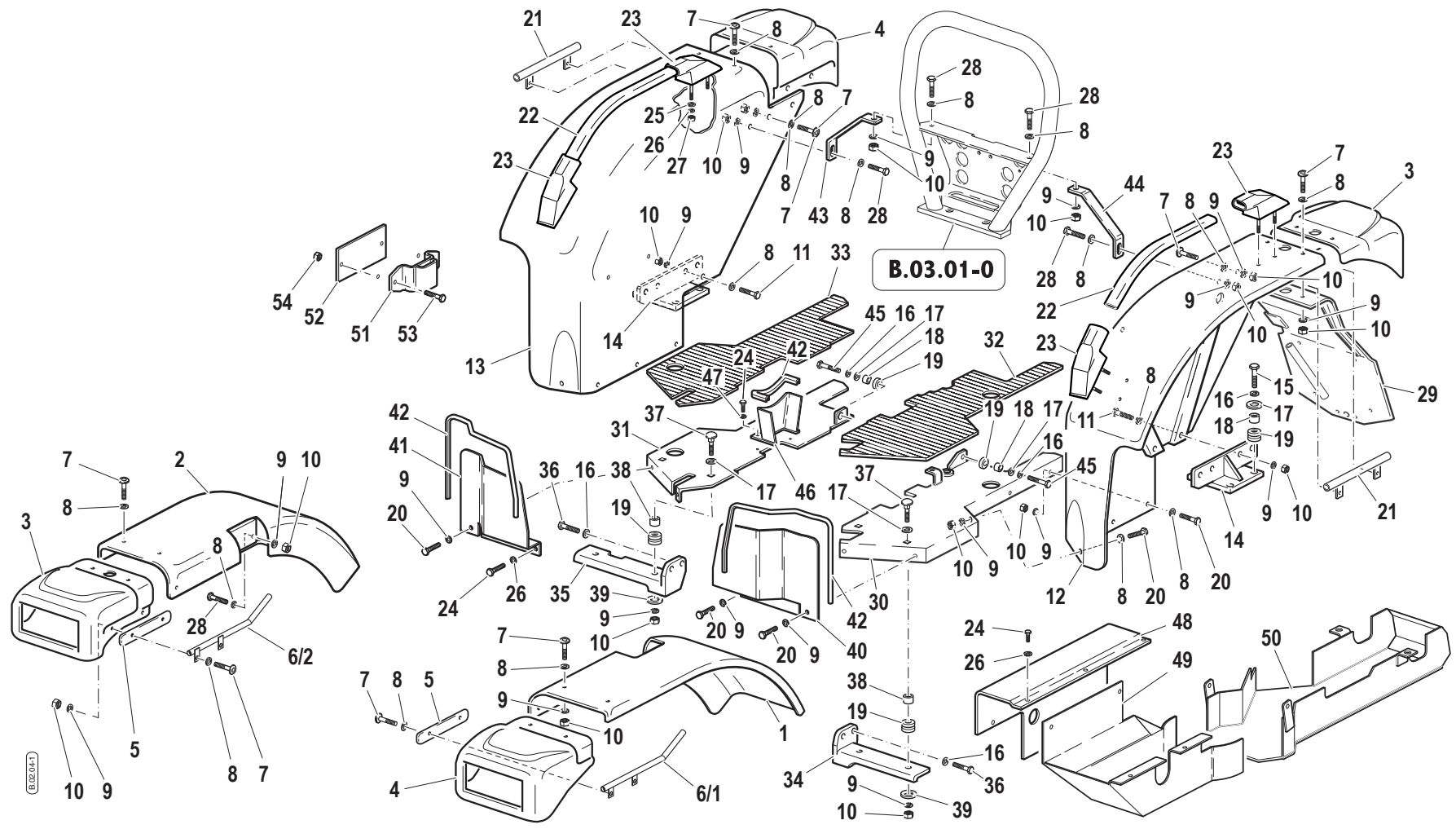
CODE REV

A0102_1_63249



(A.02.01.1)

Pos.	Code	Q.ty	Description	Notes
1	58178703	1	RADIATOR	
1.1	58176290	1	DUCT	
1.2	58178731	1	DUCT	
2	F0817535000	1	CLAMP	
3	55171747	1	SLEEVE	
4	F0849206005	1	SILENT-BLOCK	
5	59074274	1	BRACKET	
6	F0843570000	1	WASHER 6	
7	31211060	1	NUT M6	
8	F0256809050	1	GASKET	
9	55171748	1	SLEEVE	
10	F0843755000	1	WASHER 10	
11	58174356	1	SILENT-BLOCK	
12	31211100	1	NUT M10	
13	28174882	1	GASKET	
14	31111091	1	SCREW E M6X14 UNI 5739 8G	
15	31411066	1	WASHER 6,6x18	

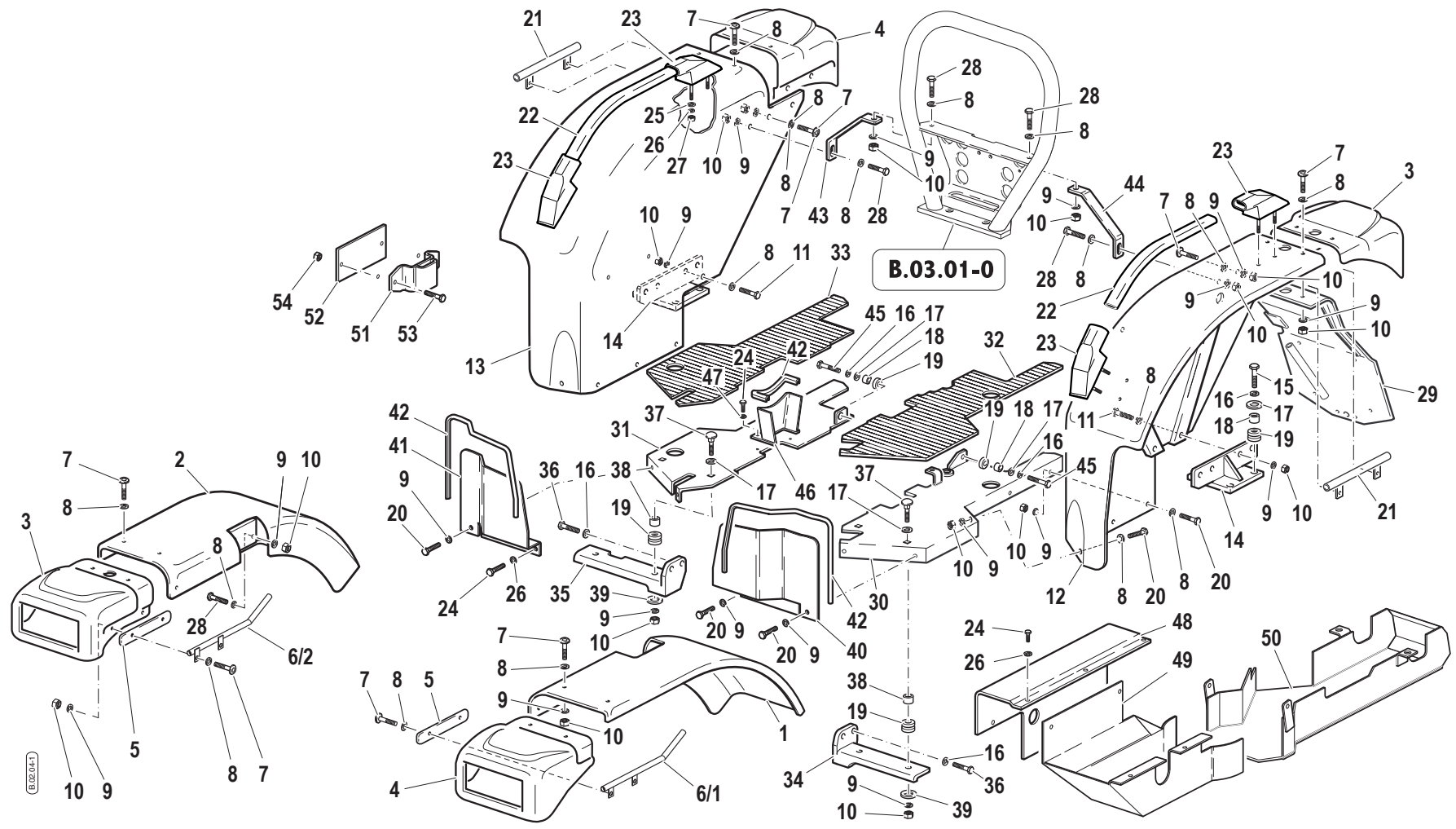


Pos.	Code	Q.ty	Description	Notes
1/1	59076428V	1	LEFT FRONT FENDER	
1/2	59077134V	1	LEFT FRONT FENDER	
2/1	59076432V	1	RIGHT FRONT FENDER	
2/2	59077135V	1	RIGHT FRONT FENDER	
3	57374133	1	SUPPORT	
4	57374134	1	SUPPORT	
5	56174135	1	FIXING BRACKET	
6/1	59076413	1	CABLE BARRIER RAIL	
6/2	59076414	1	CABLE BARRIER RAIL	
7	F0862479030	1	SCREW M8X20 7380	
8	31411084	1	WASHER 8,4x17	
9	F0843643060	1	WASHER 8	
10	F0814574000	1	NUT M8	
11	31112151	1	SCREW TE M8X25 UNI 5739 8G	
12	59074285V	1	LEFT REAR FENDER	
13	59074286V	1	RIGHT REAR FENDER	
14	59074779	1	BRACKET	
15	31112211	1	SCREW TE M10X30 UNI 5739	
16	F0843755000	1	WASHER 10	
17	F0843818000	1	WASHER 11x30/2,5	
18	56171954	1	SPACER	
19	55175174	1	BLOCK	
20	31111151	1	SCREW TE M8X16 UNI 5739 8G	
21	59074391	1	CABLE BARRIER RAIL	
22	56174337	1	MUDGUARD HANDLE	
23	55072935	1	SUPPORT	
24	31112082	1	SCREW TE M6X12 UNI 5739 8G	
25	31411066	1	WASHER 6,6x18	
26	F0843570000	1	WASHER 6	
27	31211060	1	NUT M6	
28	31112150	1	SCREW TE M8X20 UNI 5739 8G	
29	59075081	1	LICENCE PLATE HOLD	
30	59075756	1	LEFT FOOTBOARD	
31	59075751	1	RIGHT FOOTBOARD	

SERIAL
START
901599

MUD-GUARDS AND FLOOR BOARDS

CODE REV
B0204_1_63633

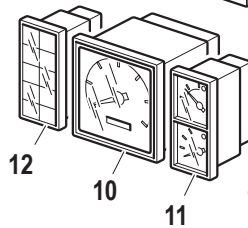
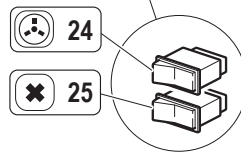
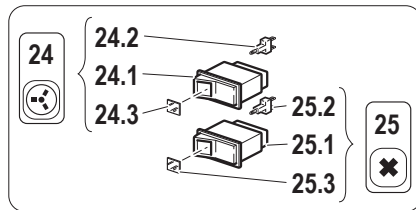
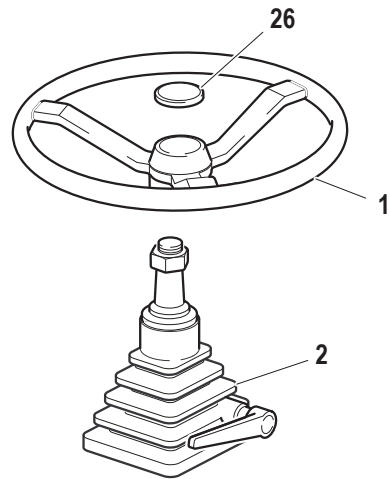



Pos.	Code	Q.ty	Description	Notes
32	57375755	1	FOOTREST COVER	
33	57374780	1	FOOTREST COVER	
34	59074326	1	LEFT FOOTBOARD SUPPORT	
35	59074327	1	RIGHT FOOTBOARD SUPPORT	
36	31112219	1	SCREW TE M10X25 UNI 5739	
37	31122804	1	SCREW TTQ M8X30 UNI 5731	
38	56171996	1	SPACER	
39	31411090	1	WASHER 9x24	
40	56174137	1	SHIELD	
41	56174136	1	SHIELD	
42	F0256808000	1	FLAT BAND	
43	56174366	1	BRACKET	
44	56174365	1	BRACKET	
45	F0863328000	1	SCREW M10X35 UNI 5737	
46	59071266	1	GUARD	
47	F0843578010	1	WASHER 6,4x11/1,6	
48	56172881	1	SHIELD	
49	59072870	1	SHIELD	
50	59072874	1	GUARD	
51	F0843815010	1	WASHER	
52	59070592	1	LEVER BEARING	
53	56172129	1	BRACKET FASTENER	
54	31112219	1	SCREW TE M10X25 UNI 5739	
55	31241100	1	SELFLOCK NUT M10 6S	


SERIAL
START
901599

MUD-GUARDS AND FLOOR BOARDS

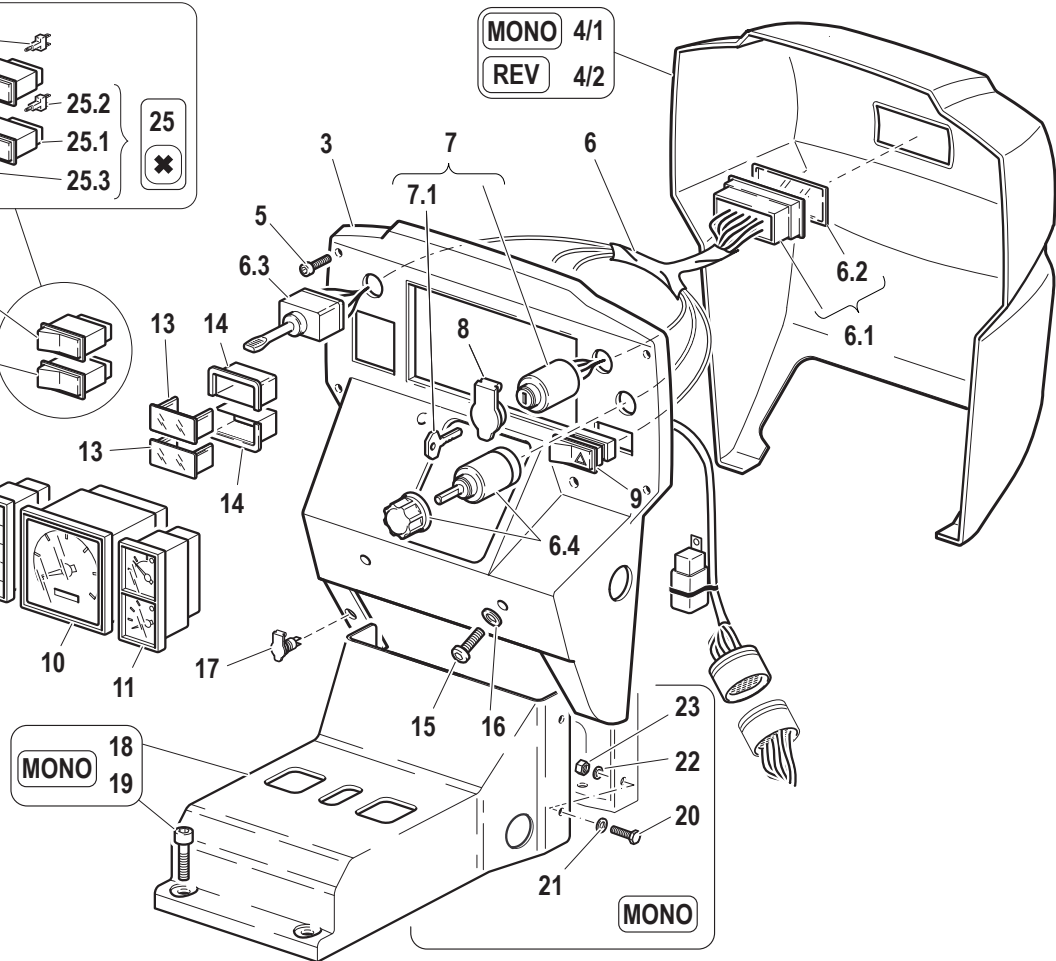
CODE REV
B0204_1_63633




 - PRESA DI FORZA CON FRIZIONE INDIPENDENTE
 - POWER TAKE-OFF WITH INDEPENDENT CLUTCH
 - PRISE DE FORCE AVEC EMBRAYAGE INDEPEND.
 - ZAPFWELLE MIT UNABHÄNGIGER KUPPLUNG
 - TOMA DE FUERZA CON EMBRAGUE INDEPEND.


 - DIFFERENZIALE CON BLOCCAGGIO ELETTROIDRAUL.
 - DIFFERENTIAL WITH ELECTROHYDRAULIC LOCKING
 - DIFFERENTIEL AVEC BLOCAGE ÉLECTROHYDR.
 - DIFFERENTIAL MIT ELEKTROHYDR. SPERRE
 - DIFERENCIAL CON BLOQUEO ELECTROHIDRÁULICO

615074



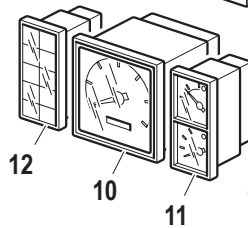
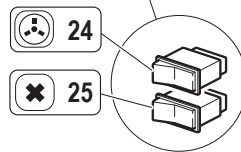
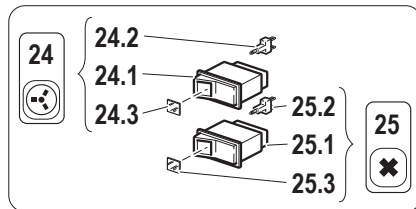
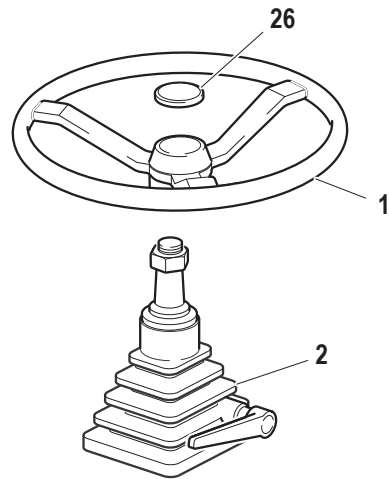
Pos.	Code	Q.ty	Description	Notes
1	F0865040000	1	STEERING WHEEL	
2	581A0379	1	UNIT	
3	55274441	1	INSTRUMENT PANEL	
4/1	55271852	1	INSTRUMENT PANEL	
4/2	55271644	1	INSTRUMENT PANEL	
5	31510053	1	RIBBED SCREW TC 4,8X32	
6	58075777	1	CABLE	
6.1	58170453	1	FUSE BOX	
6.2	58172267	1	COVER	
6.3	F0825436000	1	SWITCH	
6.4	F0825436003	1	SWITCH	
7	30000614	1	PANEL	
7.1	58045806	1	KEY	
8	F0825400060	1	COVER	
9	F0825115010	1	PUSH-BUTTON	
10	58175771	1	TRACTOR METER	
11	58175769	1	DIGITAL INSTRUMENT	
12	58175770	1	WARNING LIGHT HOLDER	
13	58172043	1	FRONT GRILLE	
14	58170376	1	TERMINAL FOR SWITCH	
15	F0862479020	1	SCREW M8X16 7380	
16	31411084	1	WASHER 8,4x17	
17	F0825403050	1	SOCKET	
18	57374195	1	COVER	
19	F0863114000	1	SCREW M10X12 UNI 5931	
20	31112090	1	SCREW TE M6X16 UNI 5739 8G	
21	F0843605010	1	WASHER 6	
22	F0843570000	1	WASHER 6	
23	31211060	1	NUT M6	
24	58170344	1	CHANGE-OVER SWITCH	
24.1	58173116	1	CHANGE-OVER SWITCH	
24.2	58173119	1	LAMP	
24.3	58173120	1	GLASS	
25	58170345	1	CHANGE-OVER SWITCH	


SERIAL
START
902634


DASHBOARD AND STEERING WHEEL

CODE REV

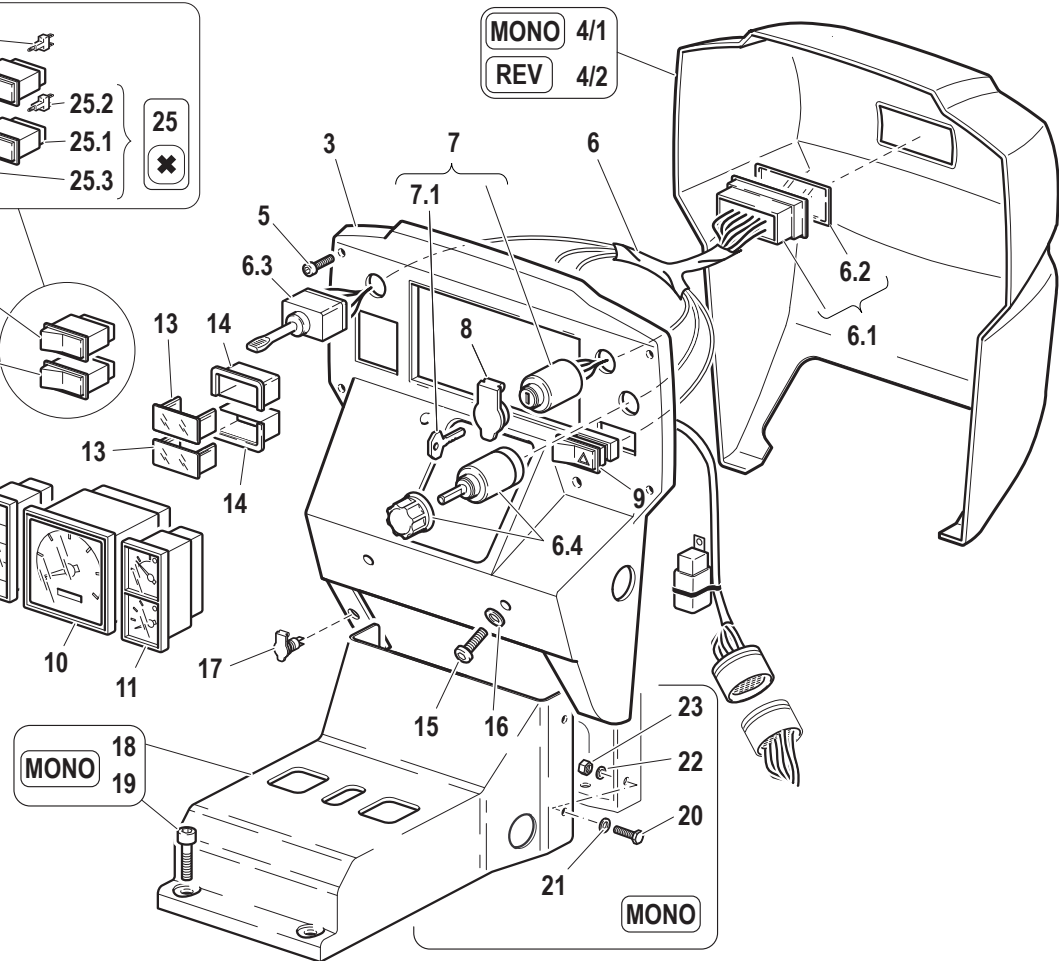
B0501_1_42781



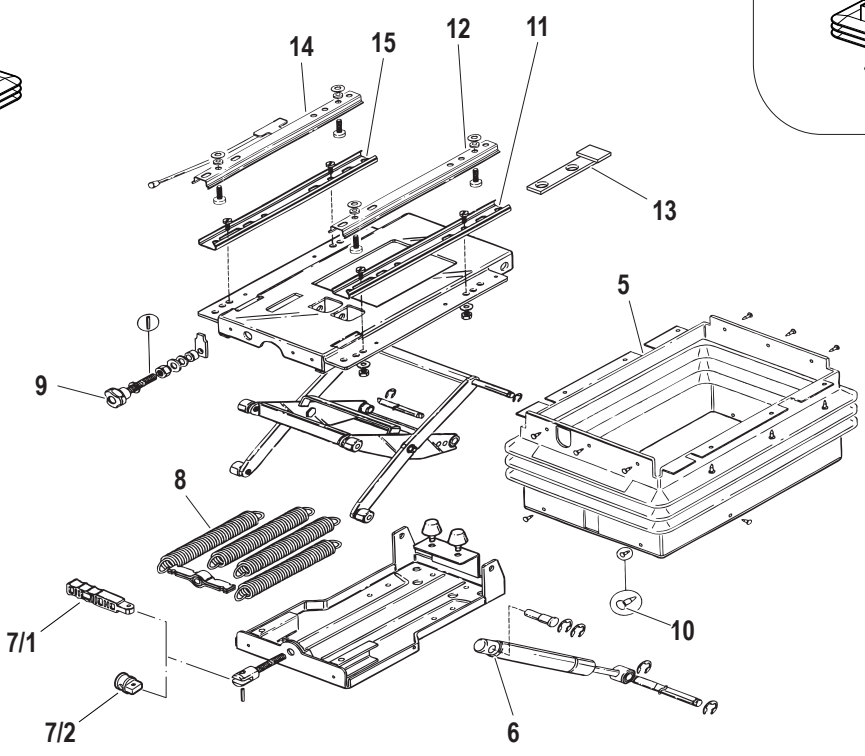
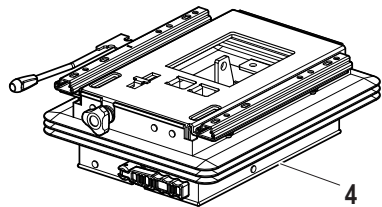
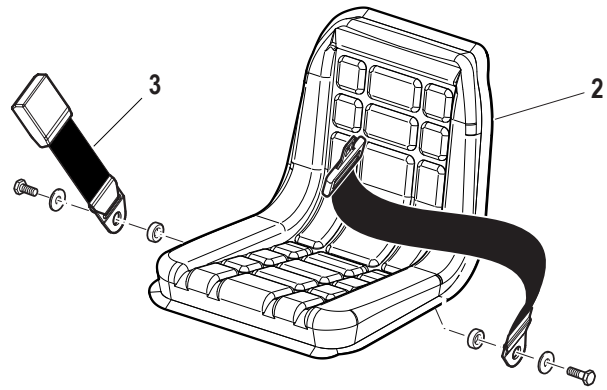

 - PRESA DI FORZA CON FRIZIONE INDIPENDENTE
 - POWER TAKE-OFF WITH INDEPENDENT CLUTCH
 - PRISE DE FORCE AVEC EMBRAYAGE INDEPEND.
 - ZAPFWELLE MIT UNABHÄNGIGER KUPPLUNG
 - TOMA DE FUERZA CON EMBRAGUE INDEPEND.


 - DIFFERENZIALE CON BLOCCAGGIO ELETTROIDRAUL.
 - DIFFERENTIAL WITH ELECTROHYDRAULIC LOCKING
 - DIFFERENTIEL AVEC BLOCAGE ÉLECTROHYDR.
 - DIFFERENTIAL MIT ELEKTROHYDR. SPERRE
 - DIFERENCIAL CON BLOQUEO ELECTROHIDRÁULICO

6150714

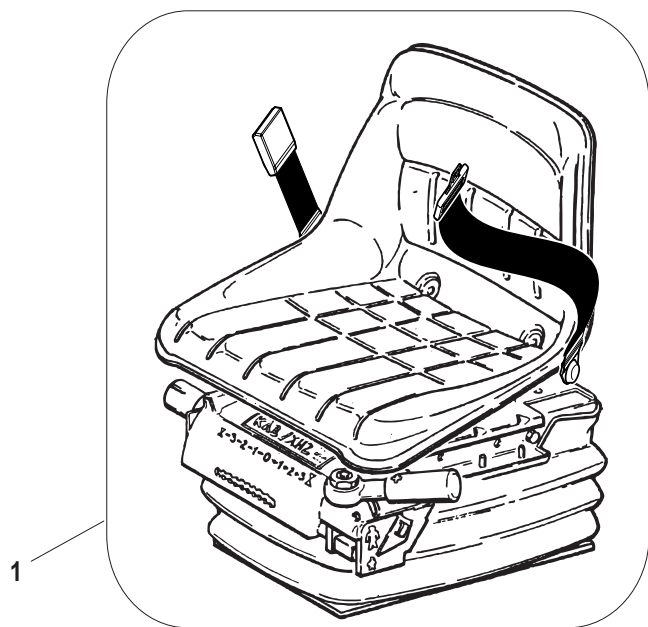


Pos.	Code	Q.ty	Description	Notes
25.1	58173116	1	CHANGE-OVER SWITCH	
25.2	58173119	1	LAMP	
25.3	58173121	1	GLASS	
26	F0865040010	1	PLUG	

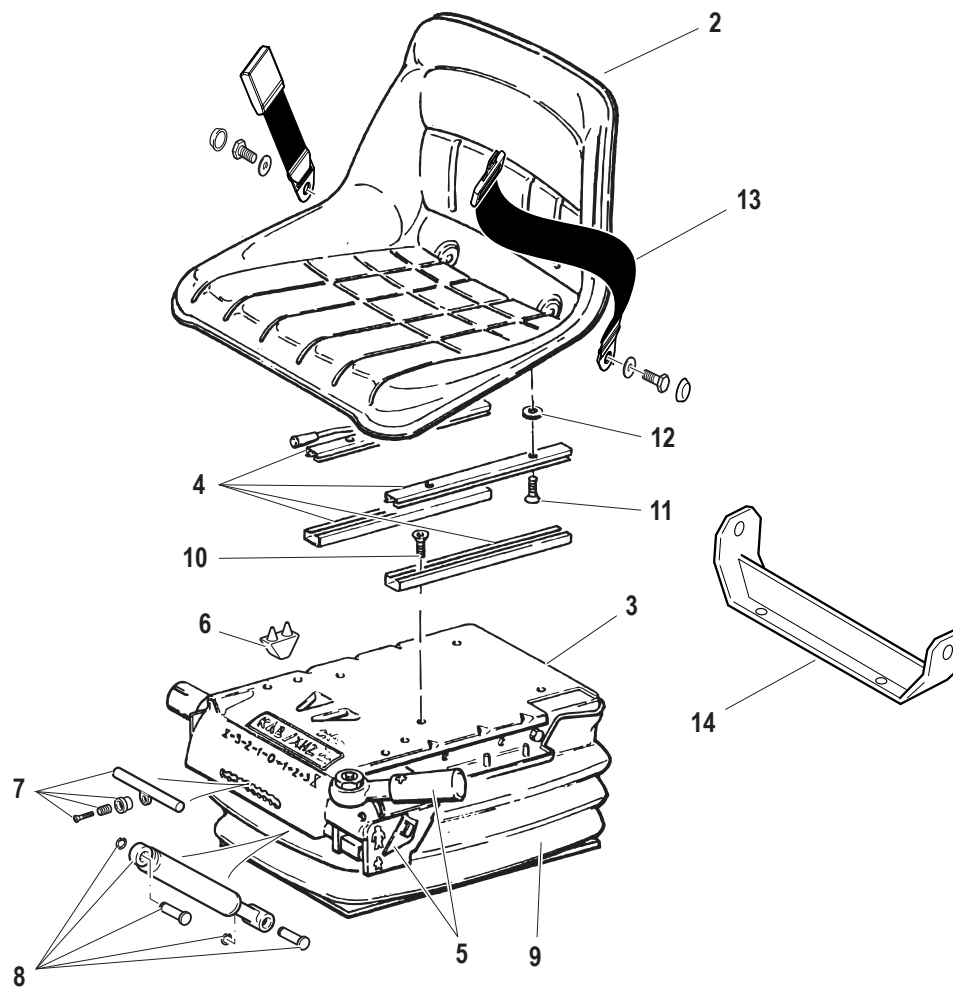


B.06.02-0

Pos.	Code	Q.ty	Description	Notes
1	58177722	1	SEAT	
2	59901050	1	SEAT	
3	58192377	1	SAFETY BELT	
4	59901049	1	SUSPENSION	
5	59900159	1	BELLOWS	
6	59900156	1	SHOCKS ABSORBER	
7/1	59900155	1	LEVER	
7/2	56172172	1	SMALL BLOCK	
8	59900154	4	SPRING	
9	59900153	1	KNOB	
10	59900158	18	SCREW	
11	59900157	1	LOWER GUIDE	
12	59900160	1	GUIDE	
13	59071241	1	STOP PLATE	
14	59900161	1	GUIDE	
15	59900152	1	LOWER GUIDE	



B.06.04-0



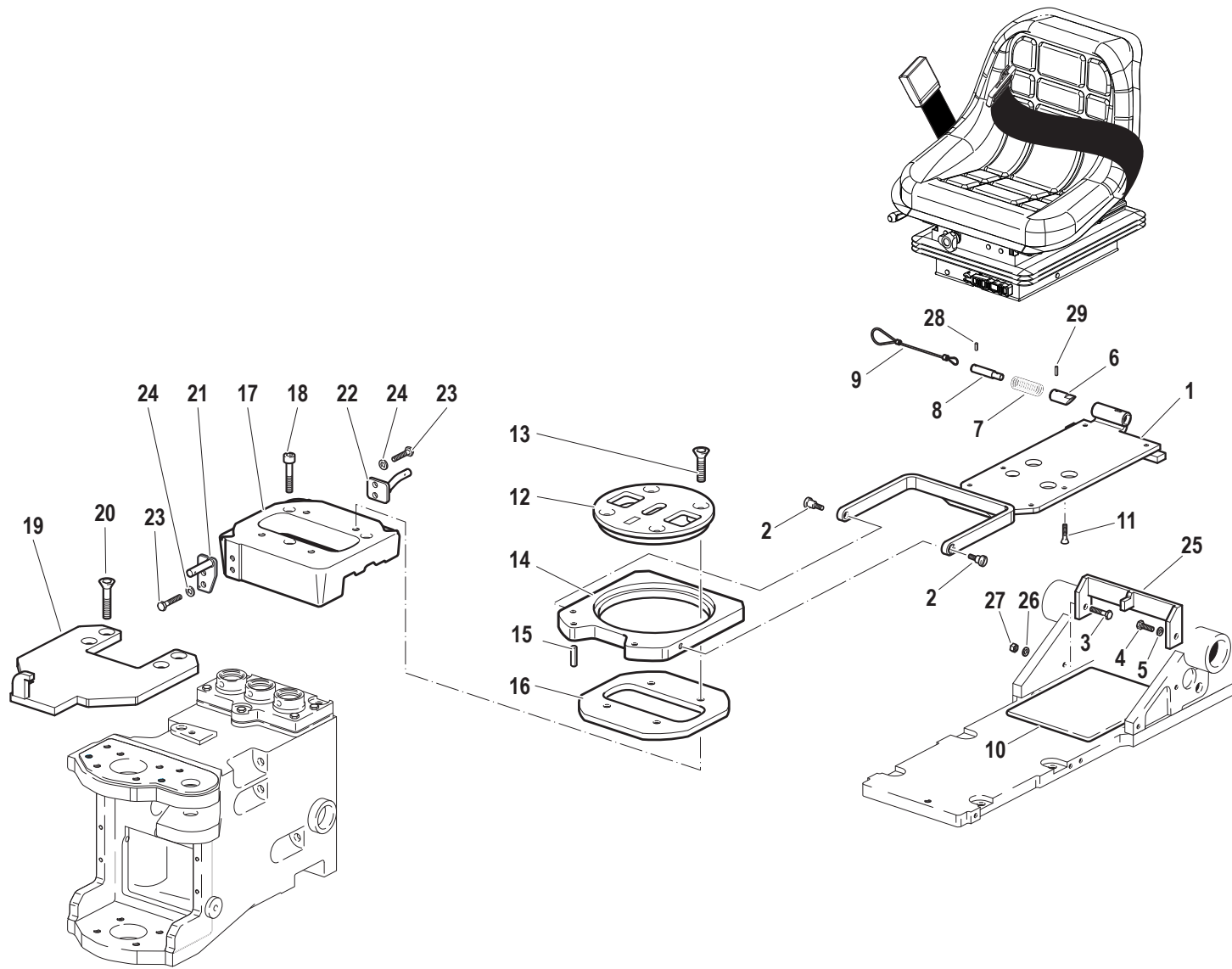
Pos.	Code	Q.ty	Description	Notes
1	59900199	1	SEAT	
2	F0150036216	1	SEAT CAVITY	
3	F0150036219	1	SPRING	
4	58173437	1	SEAT GUIDE	
5	59900183	1	CONTROL	
6	59900184	1	SPRINGS LIMITER	
7	59900185	1	CONTROL	
8	59900186	1	SHOCKS ABSORBER	
9	59900187	1	BELLOWS	
10	31111151	5	SCREW TE M8X16 UNI 5739 8G	
11	F0862495010	4	SCREW M8X16 UNI 5931	
12	F0843696000	6	WASHER D.24x8/6	
13	58192377	1	SAFETY BELT	
14	56178591	1	BRACKET	

SERIAL

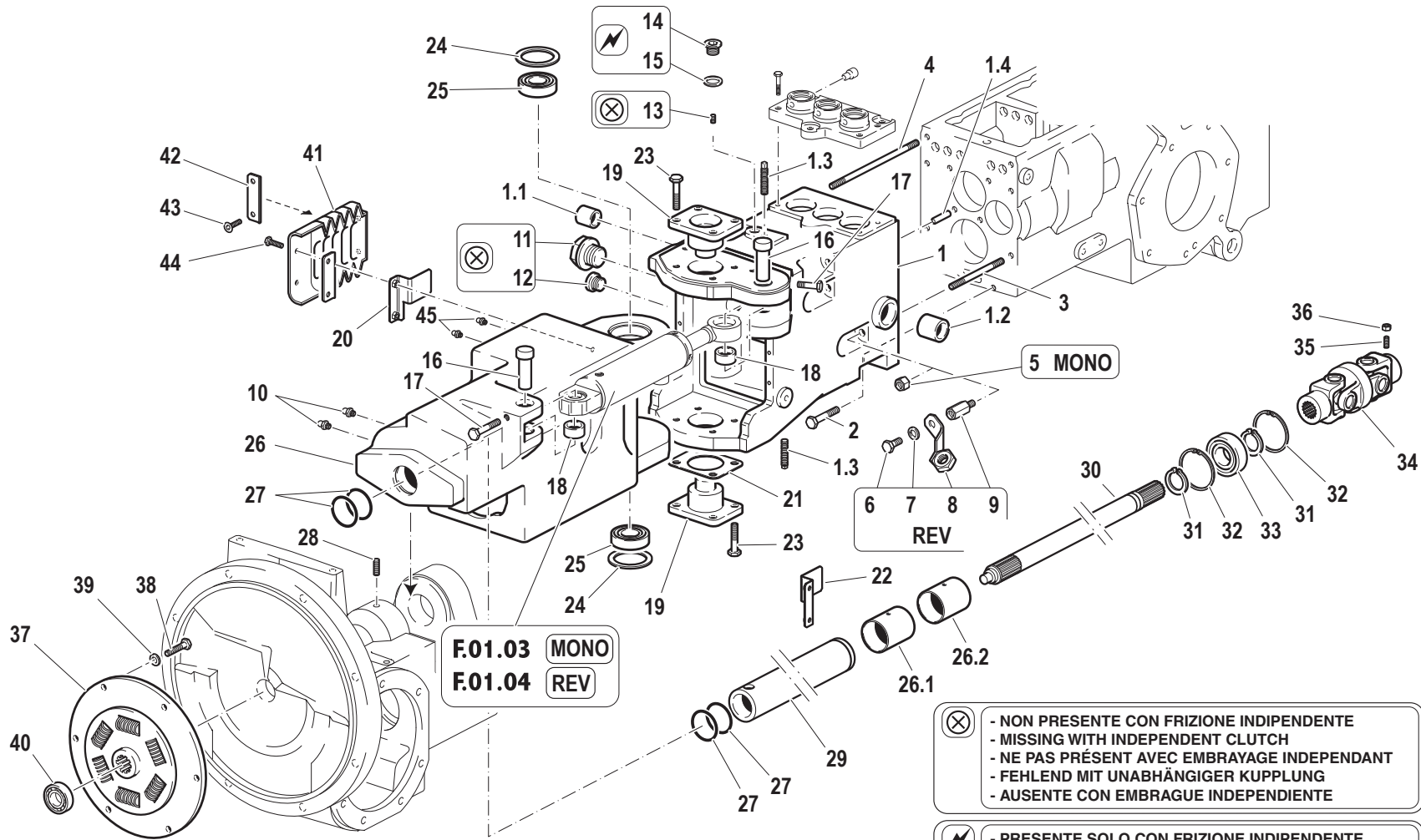
SEAT (KAB P1)

CODE REV

B0604_0_63758



Pos.	Code	Q.ty	Description	Notes
1	590A0702	1	PLATE	
2	56375436	1	HINGE PIN	
3	31112155	1	SCREW TE M8X45 UNI 5739 8G	
4	31112151	1	SCREW TE M8X25 UNI 5739 8G	
5	31411084	1	WASHER 8,4x17	
6	56374460	1	LOCKING BOLT	
7	58070390	1	SEAT SPRINGS	
8	561A0764	1	PISTON	
9	553A0763	1	CABLE	
10	573A0716	1	RUBBER	
11	F0862481000	1	SCREW M8x16 UNI 5933	
12	51271833	1	FLANGE	
13	F0863350000	1	SCREW M10X1,5/35 UNI 5933	
14	51271834	1	TURRET	
15	F0851318000	1	CYLINDRICAL PLUG 8X16 UNI1707	
16	58072174	1	GASKET	
17	51171904	1	SUPPORT	
18	31152100	1	SCREW TCEI M10X40 UNI 5931 8G	
19	590A0708	1	PLATE	
20	31133600	1	SCREW TSVEI M10X25 U5933	
21	59072087	1	BRACKET	
22	59072088	1	BRACKET	
23	F0862488000	1	SCREW M8X16 UNI 5739	
24	F0843643060	1	WASHER 8	
25	590A0705	1	BRACKET	
26	F0843643060	1	WASHER 8	
27	31221080	1	NUT M8	
28	34211027	1	ROLL PIN	
29	34211028	1	ROLL PIN	



F.01.03 MONO
F.01.04 REV

5 MONO

6 REV

⊗ - NON PRESENTE CON FRIZIONE INDIPENDENTE
- MISSING WITH INDEPENDENT CLUTCH
- NE PAS PRÉSENT AVEC EMBRAYAGE INDEPENDANT
- FEHLEND MIT UNABHÄNGIGER KUPPLUNG
- AUSENTE CON EMBRAGUE INDEPENDIENTE

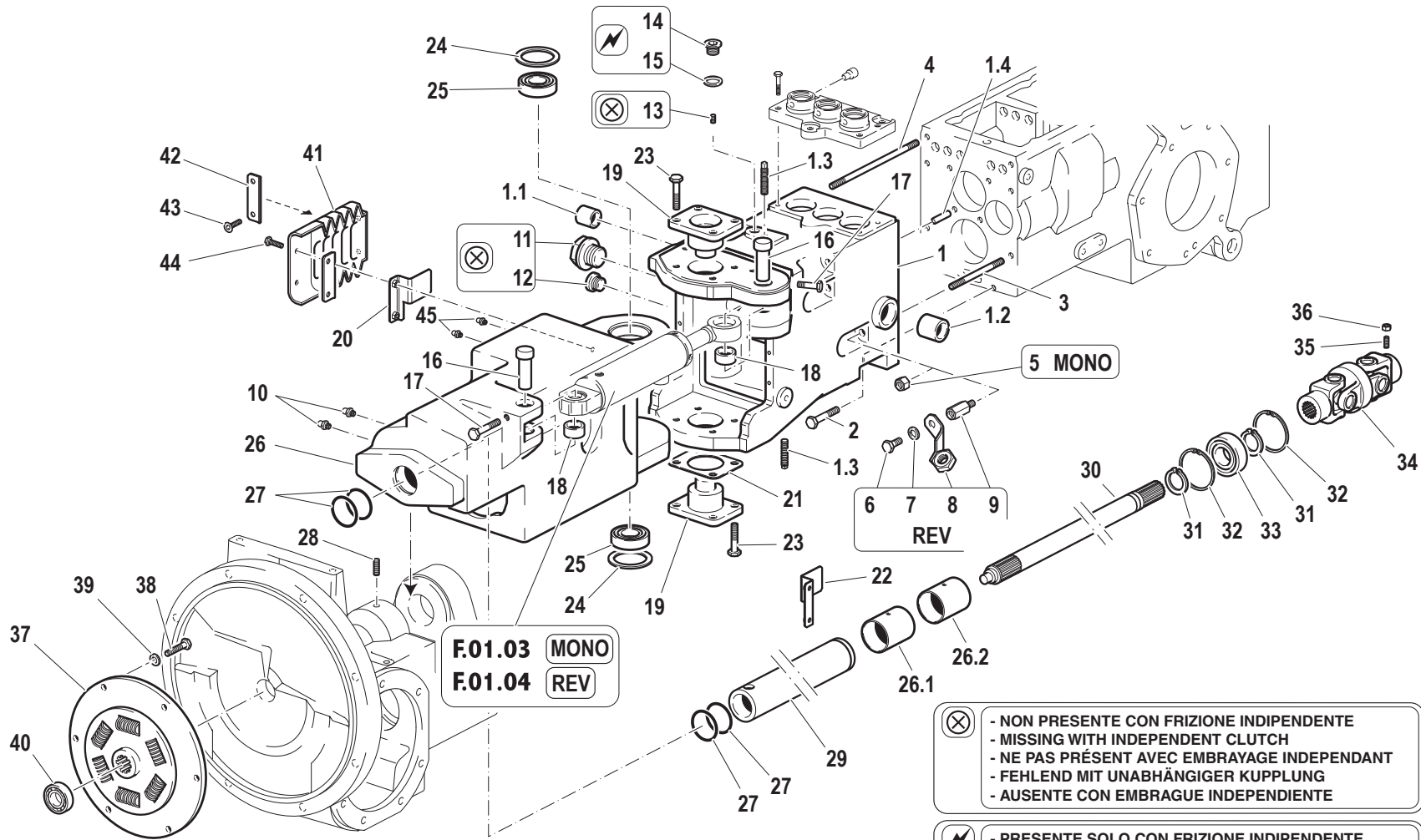
⚡ - PRESENTE SOLO CON FRIZIONE INDIPENDENTE
- ONLY WITH INDEPENDENT CLUTCH
- SEULEMENT AVEC EMBRAYAGE INDEPENDANT
- NUR MIT UNABHÄNGIGER KUPPLUNG
- PRESENTE SOLO CON EMBRAGUE INDEPENDIENTE

Pos.	Code	Q.ty	Description	Notes
1	59274025	1	CLUTCH HOUSING	
1.1	58071794	1	BUSHING	
1.2	58071793	1	BUSHING	
1.3	58070743	1	PLUG	
1.4	56370228	1	CYLINDRICAL PLUG	
2	F0863359000	1	SCREW M10X40 UNI 5737	
3	F0838475000	1	STUD BOLT M10X90 UNI 5911 8.8	
4	F0838535050	1	STUD BOLT M10X170 UNI5911	
5	F0814647000	1	NUT M10	
6	31112208	1	SCREW TE M10X16 UNI 5739	
7	F0843755000	1	WASHER 10	
8	59076058	1	SUPPORTING YOKE	
9	F0814621000	1	SMALL COLUMN CH.17xM10/29	
10	F0826056000	1	LUBRICATOR M10 UNI 7663A	
11	58072046	1	PLUG	
12	58072045	1	PLUG	
13	F0863105000	1	SCREW M10X10 UNI 5923	
14	F0852578050	1	PLUG	
15	F0824110000	1	COPPER WASHER 3/8 GAS	
16	56373542	1	HINGE PIN	
17	56370178	1	SCREW	
18	56170226	1	SPACER	
19	523A0166	1	JOINT PIN	
20	59075711	1	PLATE	
21	52172158	1	SHIM	
21	52172159	1	SHIM	
21	52172160	1	SHIM	
21	52172161	1	SHIM	
21	52172162	1	SHIM	
22	59075712	1	FIXING PLATE	
23	F0863267050	1	SCREW M10x25	
24	58170077	1	GASKET	
25	F0812747000	1	BEARING 32006X (30x55x17)	
26	59279819	1	BOX	

SERIAL
START
915538

INTERMEDIATE SECTION

CODE REV
C0202_2_64535



F.01.03 MONO
F.01.04 REV

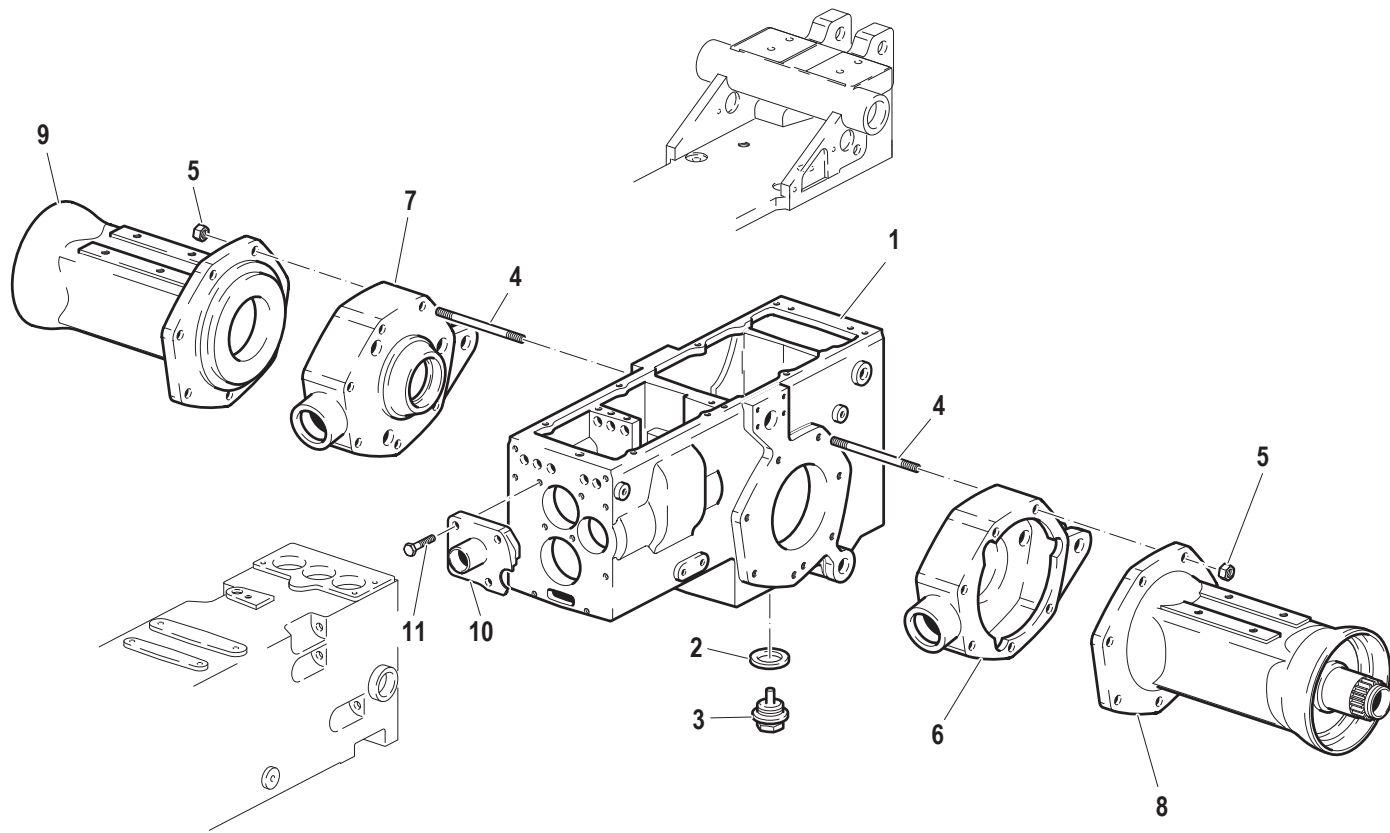
5 MONO

6 REV

⊗ - NON PRESENTE CON FRIZIONE INDIPENDENTE
- MISSING WITH INDEPENDENT CLUTCH
- NE PAS PRÉSENT AVEC EMBRAYAGE INDEPENDANT
- FEHLEND MIT UNABHÄNGIGER KUPPLUNG
- AUSENTE CON EMBRAGUE INDEPENDIENTE

⚡ - PRESENTE SOLO CON FRIZIONE INDIPENDENTE
- ONLY WITH INDEPENDENT CLUTCH
- SEULEMENT AVEC EMBRAYAGE INDEPENDANT
- NUR MIT UNABHÄNGIGER KUPPLUNG
- PRESENTE SOLO CON EMBRAGUE INDEPENDIENTE

Pos.	Code	Q.ty	Description	Notes
26.1	56276360	1	BUSHING	
26.2	56276359	1	BUSHING	
27	38104412	1	O-RING 3175 (44,12X2,62)	
28	58170013	1	SCREW	
29	56471645	1	PIN	
30	56572156	1	FRONT CLUTCH SHAFT	
31	35121025	1	SEEGER RING E 25 DIN 471	
32	35111052	1	SEEGER RING I 52 DIN 472	
33	37112249	1	BEARING	
34	58172155	1	CARDAN JOINT	
35	F0862593050	1	SCREW M8X20 UNI 5927	
36	F0814574000	1	NUT M8	
37	58173493	1	JOINT	
38	31112150	1	SCREW TE M8X20 UNI 5739 8G	
39	31421083	1	WASHER	
40	37112120	1	BEARING	
41	55172608	1	BELLOWS	
42	56172163	1	FIXING BRACKET	
43	31132562	1	SCREW TSVEI M6X16 UNI 5933	
44	F0862210000	1	SCREW M6X25 UNI 5737	
45	30000007	1	LUBRICATOR	

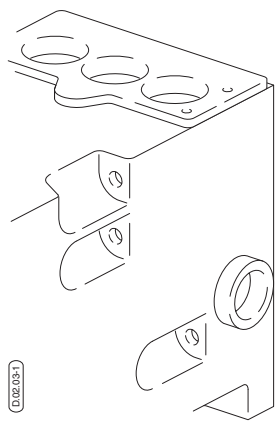


Pos.	Code	Q.ty	Description	Notes
1	511A0898	1	DRIVE HOUSING	
2	31480191	1	COPPER WASHER 30x36/1,5	
3	581A0108	1	PLUG	
4	F0838660000	1	STUD BOLT M12X105 UNI 5911-66	
5	F0814695000	1	NUT M12	
6	51171603	1	BRAKE HOUSING	
7	51171604	1	BRAKE HOUSING	
8	51276978	1	REDUCTION BOX	
9	51276979	1	REAR AXLE HOUSING	
10	590A0885	1	FRONT COVER	
11	31112219	1	SCREW TE M10X25 UNI 5739	

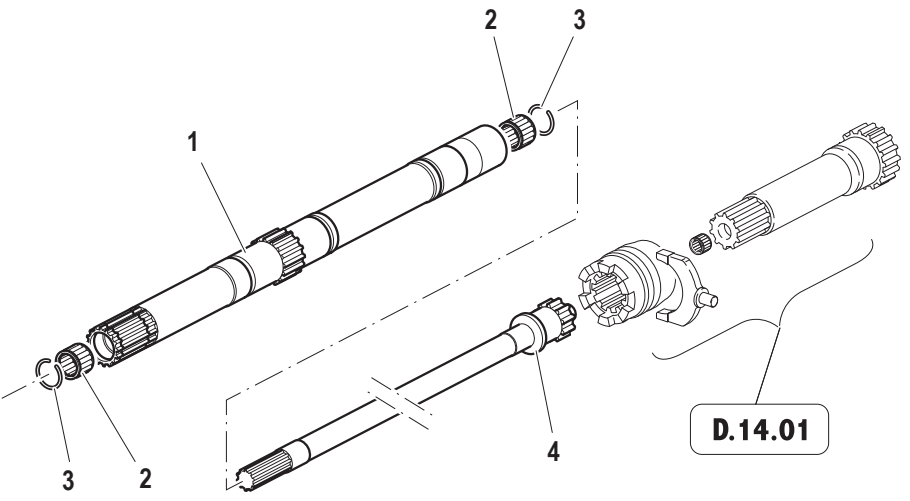
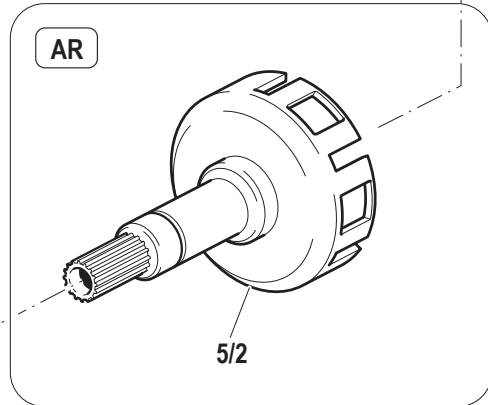
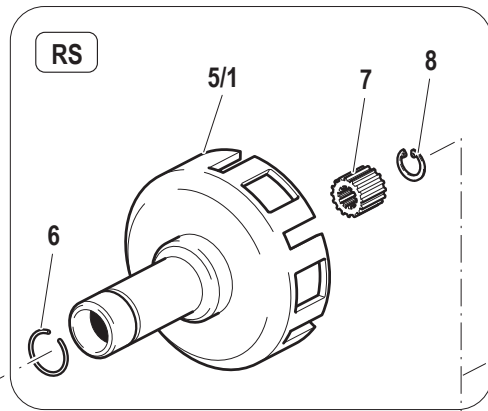
SERIAL
START
920224

REAR AXLE

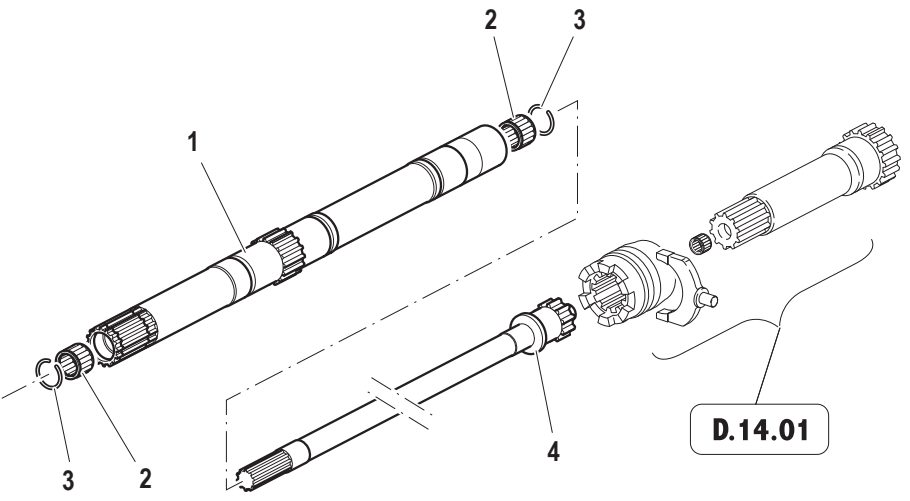
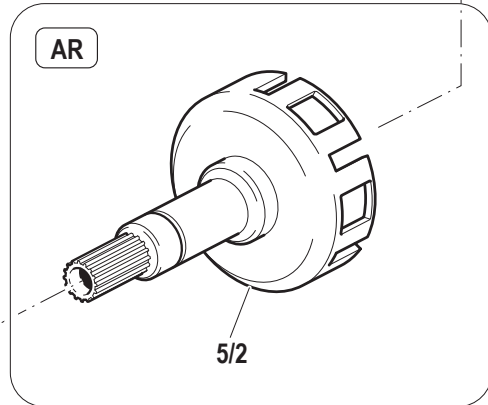
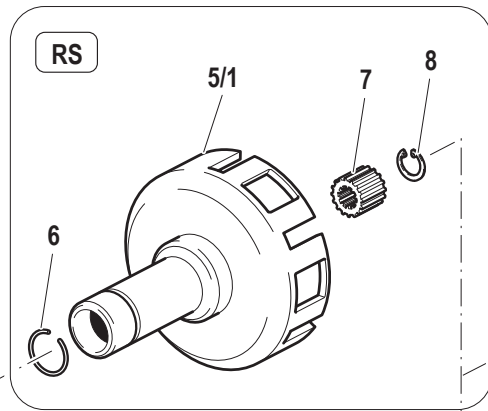
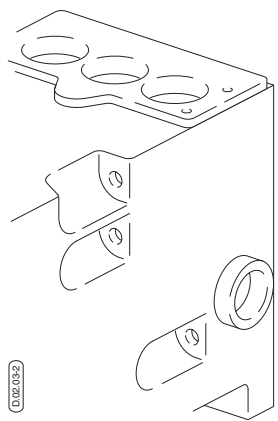
CODE REV
C0302_1_72740



1430201



Pos.	Code	Q.ty	Description	Notes
1	52476391	1	SHAFT	
2	F0812578050	1	ROLLER CAGE 17x21/13	
3	F0801156050	1	SAFETY RING	
4	56472363	1	SHAFT	
5/1	52571740	1	CLUTCH HOUSING	
5/2	59272488	1	CLUTCH HOUSING	
6	F0800056050	1	CIRCLIP B28 UNI 7433	
7	52472344	1	FIX SLEEVE	
8	35111027	1	SEEGER RING I 27 DIN 472	



Pos.	Code	Q.ty	Description	Notes
1	524A0887	1	SHAFT	
2	F0812578050	1	ROLLER CAGE 17x21/13	
3	F0801156050	1	SAFETY RING	
4	56472363	1	SHAFT	
5/1	52571740	1	CLUTCH HOUSING	
5/2	59272488	1	CLUTCH HOUSING	
6	F0800056050	1	CIRCLIP B28 UNI 7433	
7	52472344	1	FIX SLEEVE	
8	35111027	1	SEEGER RING I 27 DIN 472	

SERIAL
START
920224

CLUTCH/INPUT SHAFT : POWER TAKE-OFF WITH INDEPENDENT

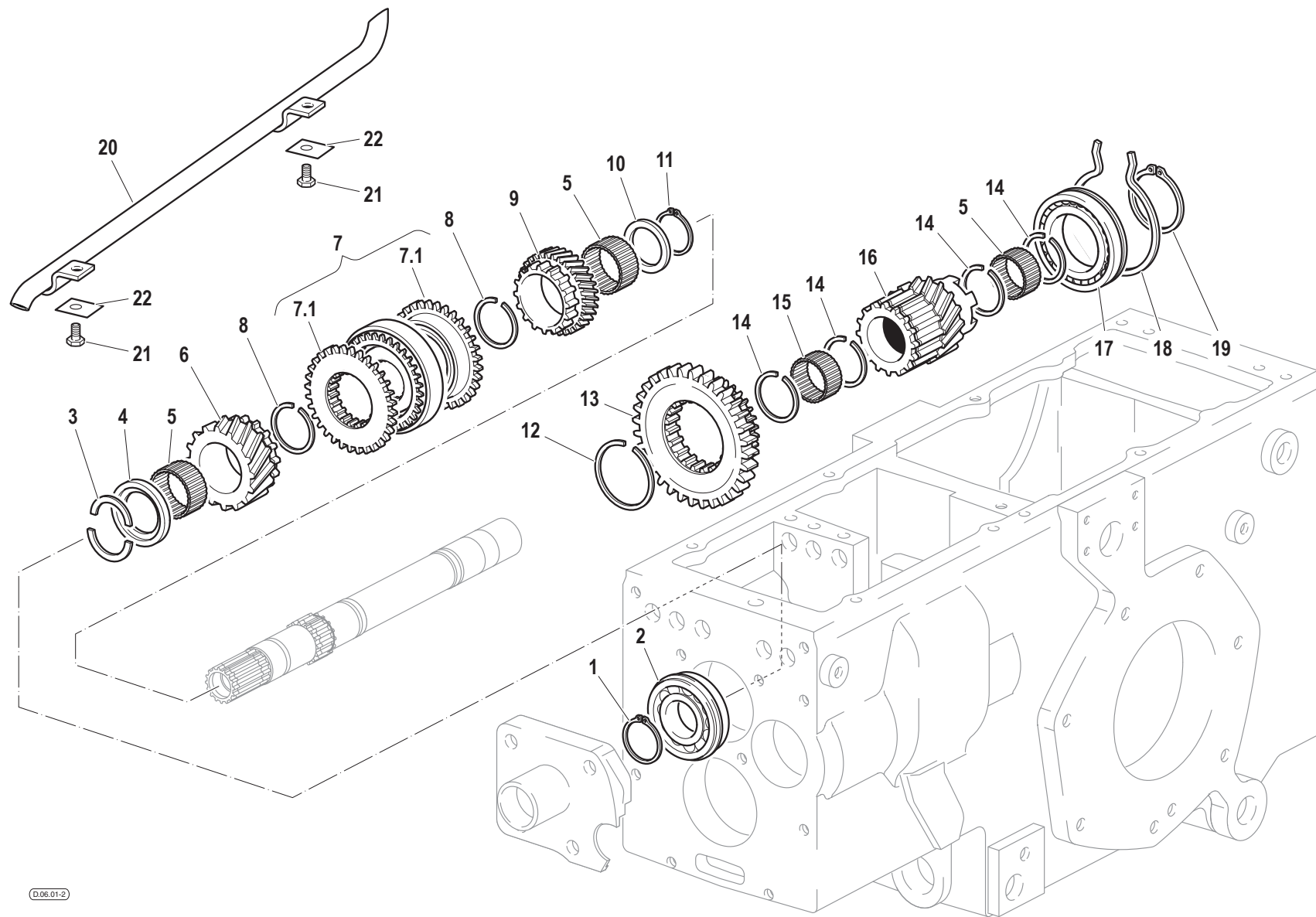
CODE REV
D0203_2_72897

Pos.	Code	Q.ty	Description	Notes
1	59076061	1	CLUTCH PEDAL	
2	58171596	1	BUSHING	
3	F0822537050	1	BUFFER	
4	59075708	1	SPRING	
5	59075707	1	PLATE	
6	31112215	1	SCREW TE M10X60 UNI 5737	
7	F0863449000	1	SCREW M10X50 UNI 5737	
8	F0843755000	1	WASHER 10	
9	59071640	1	ROD	
10	F0810510000	1	SPLIT PIN A2,0X20 UNI 1336	
11	56471813	1	PIN	
12	56371714	1	PIN	
13	56371715	1	REGISTER	
14	F0814627000	1	NUT M10	
15	59275705	1	SHAFT	
16	38212503	1	OIL SEAL 25x35/7	
17	59075704	1	ROD	
18	31411130	1	WASHER 13x24	
19	F0860090000	1	COMPLETE FORK	
20	59075706	1	FRONT CLUTCH SHAFT	
21	F0806533000	1	KEY 8X7X30 UNI 6604/A	
22	56175883	1	SPACER	
23/1	59075740	1	PEDAL	
23/2	59075741	1	CLUTCH PEDAL	
24	P95043100000	1	SPRING	
25	56349629	1	RING	
26	35131026	1	SEEGER RING E 25X2 UNI 7436	

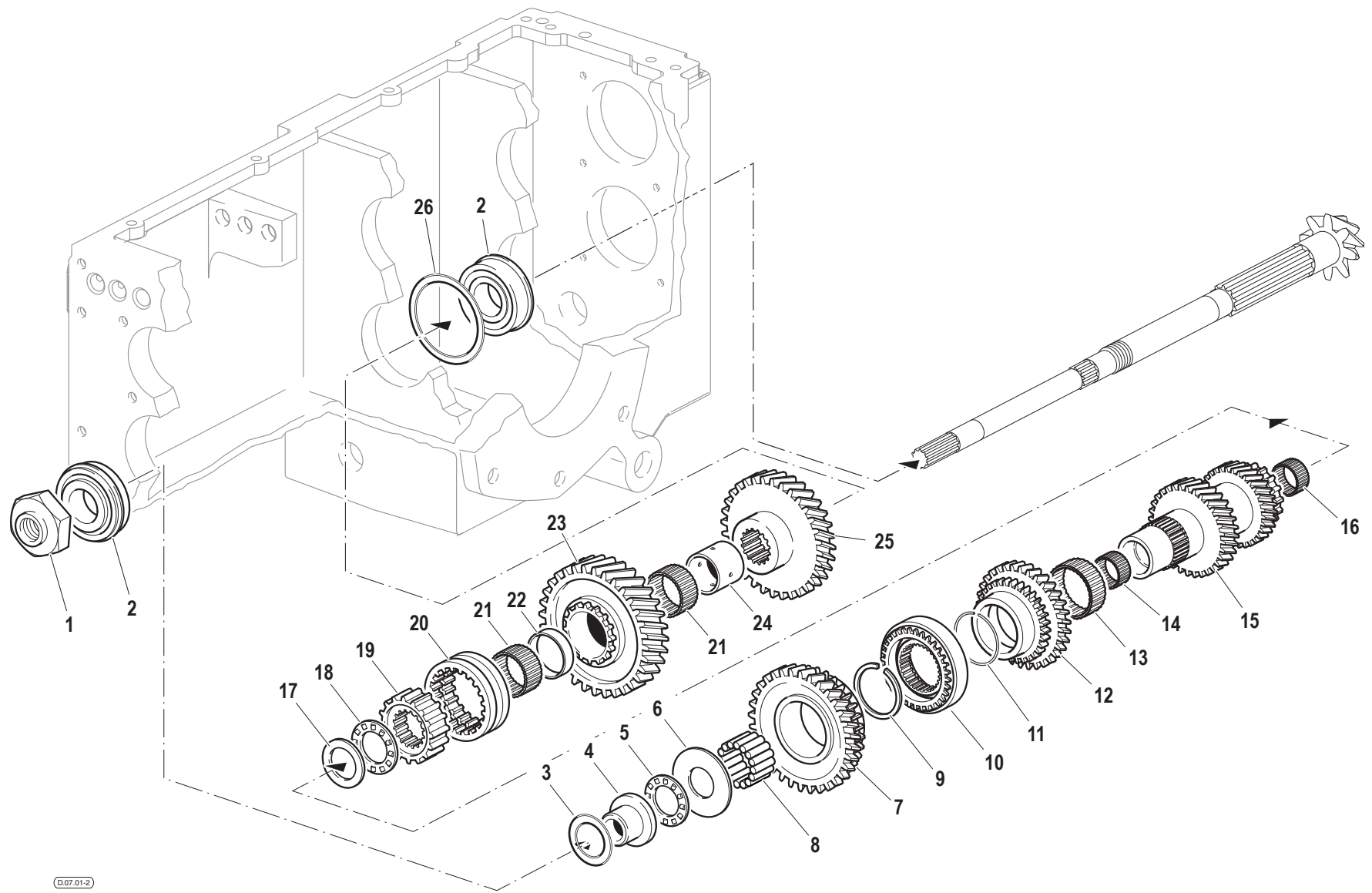
SERIAL
START
901517

TRANSMISSION CLUTCH CONTROLS

CODE REV
D0302_1_43271



Pos.	Code	Q.ty	Description	Notes
1	F0801241010	1	SEEGER RING E 30 UNI 7436	
2	F0812750000	1	BEARING 6206-NR (30X62/16)	
3	56371440	2	HALF RING	
4	56471441	1	SHIM	
5	F0812737000	3	ROLLER CAGE K 30X35/27	
6	52479154	1	SPEED GEAR	
7	58179928	1	LOCK SYNCHRONIZER	
7.1	52475921	2	RING	
8	F0801266050	2	SAFETY RING	
9	52479155	1	SPEED GEAR	
10	56471654	1	SHIM	
11	35121030	1	SEEGER RING E 30 DIN 471	
12	F0801346200	4	SAFETY RING	
13	52479156	1	SLIDING GEAR	
14	F0801266000	4	SAFETY RING	
15	F0812736010	1	ROLLER CAGE K 30X35/20 H	
16	52479158	1	CONDUCTOR GEAR	
17	50974166	1	BEARING	
18	58073788	1	SEEGER RING	
19	F0801331050	1	SEEGER RING E 45 UNI 7436	
20	59079728	1	TUBO LUBR.INVER.SINCR(A2346) *	
21	31112082	3	SCREW TE M6X12 UNI 5739 8G	
22	31450060	3	SMALL PLATE	

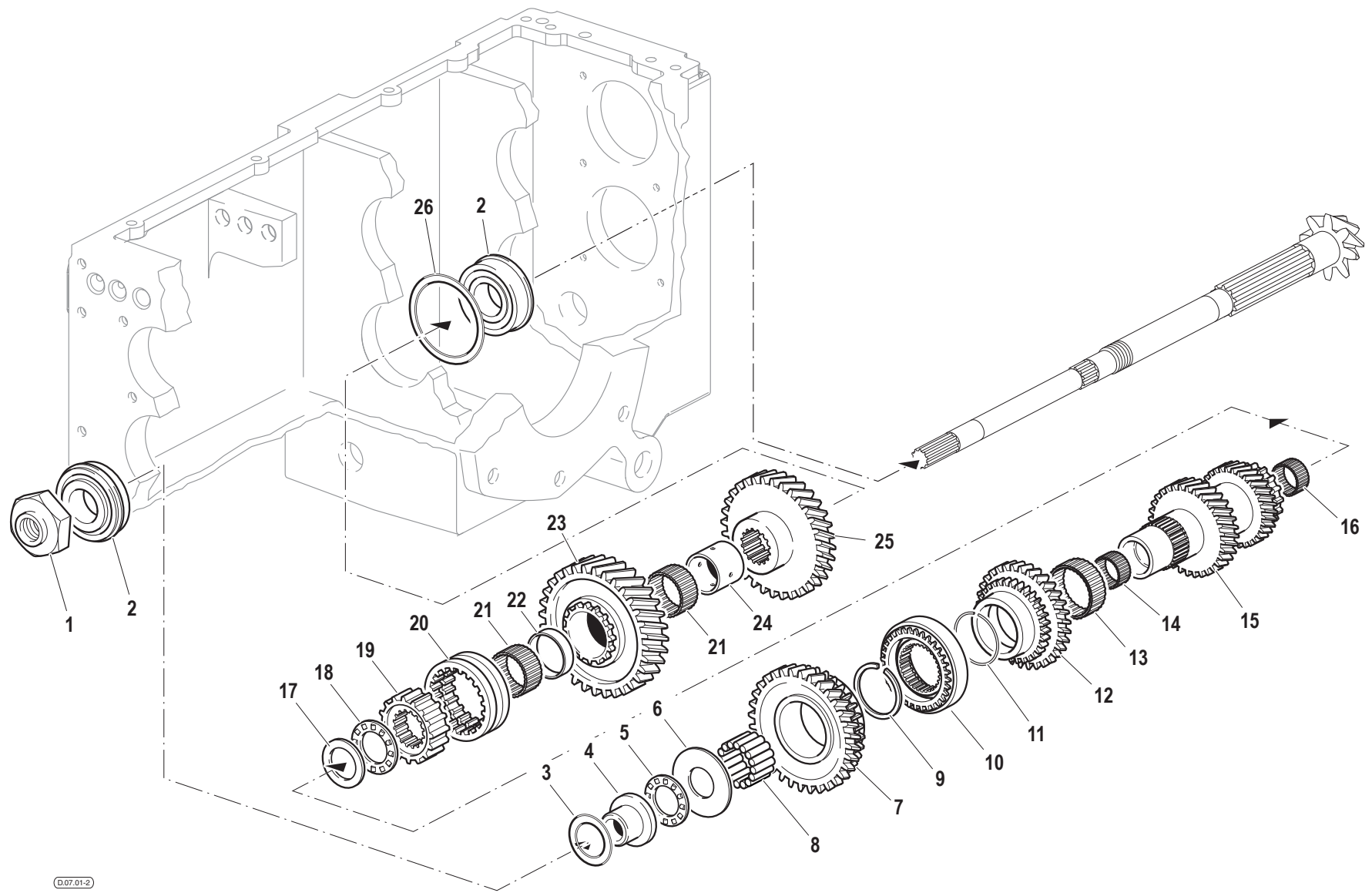


Pos.	Code	Q.ty	Description	Notes
1	56371652	1	NUT	
2	581A0460	2	BEARING	
3	58024193	1	SHIM	
3	58024194	1	SHIM	
3	58024195	1	SHIM	
3	58024196	1	SHIM	
3	58074109	1	SHIM	
4	56471655	1	BUSHING	
5	58173790	1	BEARING	
6	52473789	1	THRUST PLATE	
6	52473812	1	THRUST PLATE	
6	52473813	1	THRUST PLATE	
7	52479163	1	DRIVEN GEAR	
8	58179262	1	ROLLER BEARING (4x19,8)	
9	F0801280100	1	SAFETY RING	
10	58175937	1	LOCK SYNCHRONIZER	
11	58072505	1	SHOULDERED WASHER	
12	52479164	1	DRIVEN GEAR	
13	F0812918050	1	ROLLER CAGE K 42X47/17	
14	F0812686100	1	ROLLER CAGE K 25X30X24 H	
15	52479162	1	DOUBLE GEAR	
16	F0812732080	1	ROLLER CAGE 27X34/17 H	
17	52473796	1	THRUST PLATE	
18	58173797	1	BEARING	
19	52473721	1	SLEEVE	
20	52471459	1	SLIDING SLEEVE	
21	F0812871030	2	ROLLER CAGE K 37X42/17	
22	56271457	1	SPACER	
23	52479160	1	DOUBLE GEAR	
24	56471461	1	BUSHING	
25	52479157	1	SPEED GEAR	
26	56371661	1	ADJUSTING RING	
26	56371662	1	ADJUSTING RING	
26	56371663	1	ADJUSTING RING	

SERIAL
START
920224

SECONDARY SHAFT GEARS

CODE REV
D0701_2_72962

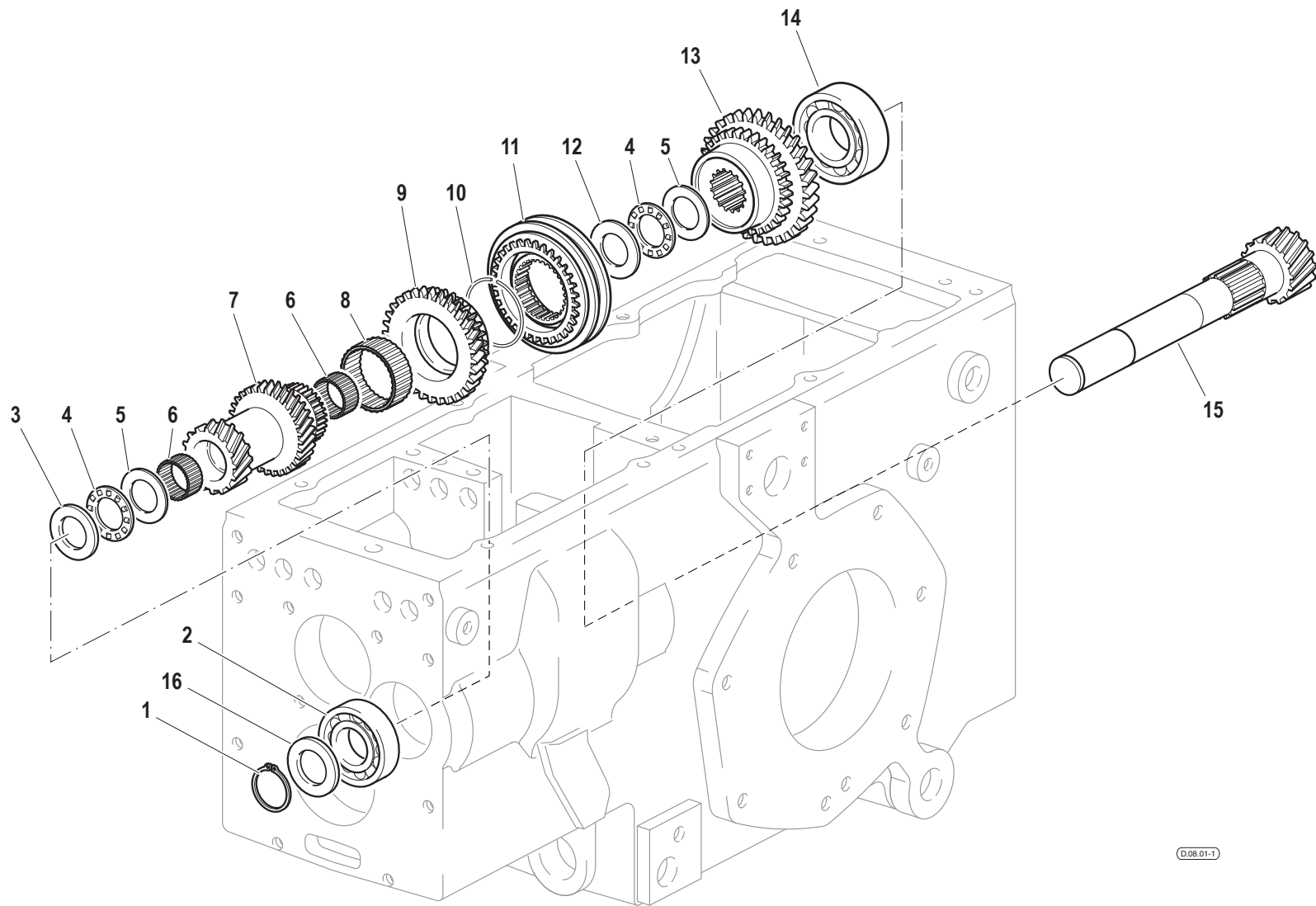


Pos.	Code	Q.ty	Description	Notes
26	56371664	1	ADJUSTING RING	
26	56373440	1	ADJUSTING RING	

SERIAL
START
920224

SECONDARY SHAFT GEARS

CODE REV
D0701_2_72962

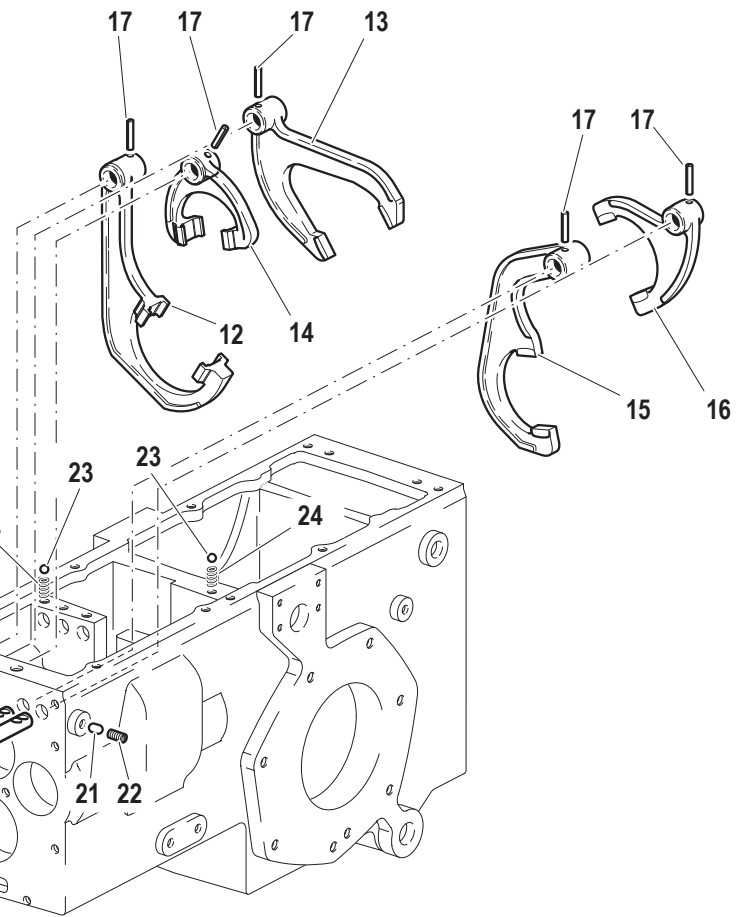
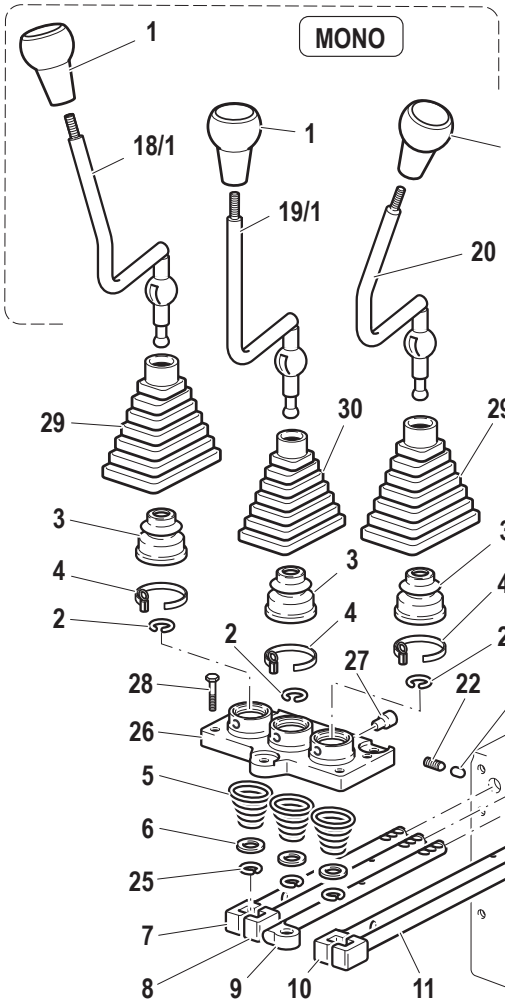
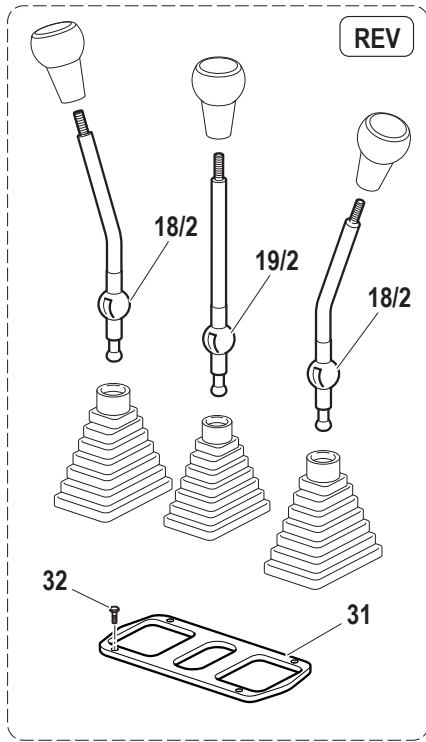


Pos.	Code	Q.ty	Description	Notes
1	35131026	1	SEEGER RING E 25X2 UNI 7436	
2	37111255	1	BEARING	
3	52477987	1	THRUST PLATE	
3	52473791	1	THRUST PLATE	
3	52473815	1	THRUST PLATE	
3	52474239	1	THRUST PLATE	
4	58173790	1	BEARING	
5	58173792	1	THRUST PLATE	
6	F0812689000	2	ROLLER CAGE K 25X30/20 H	
7	52479153	1	CONDUCTOR GEAR	
8	F0812918050	1	ROLLER CAGE K 42X47/17	
9	52479165	1	CONDUCTOR GEAR	
10	58072505	1	SHOULDERED WASHER	
11	58172571	1	LOCK SYNCHRONIZER	
12	52477986	1	THRUST PLATE	
13	52479161	1	CONDUCTOR GEAR	
14	37120000	1	BEARING	
15	52479152	1	DRIVE SHAFT	
16	524A0883	1	THRUST PLATE	

SERIAL
START
920224

COUNTERSHAFT AND CORRESPONDING GEARS

CODE REV
D0801_1_72999



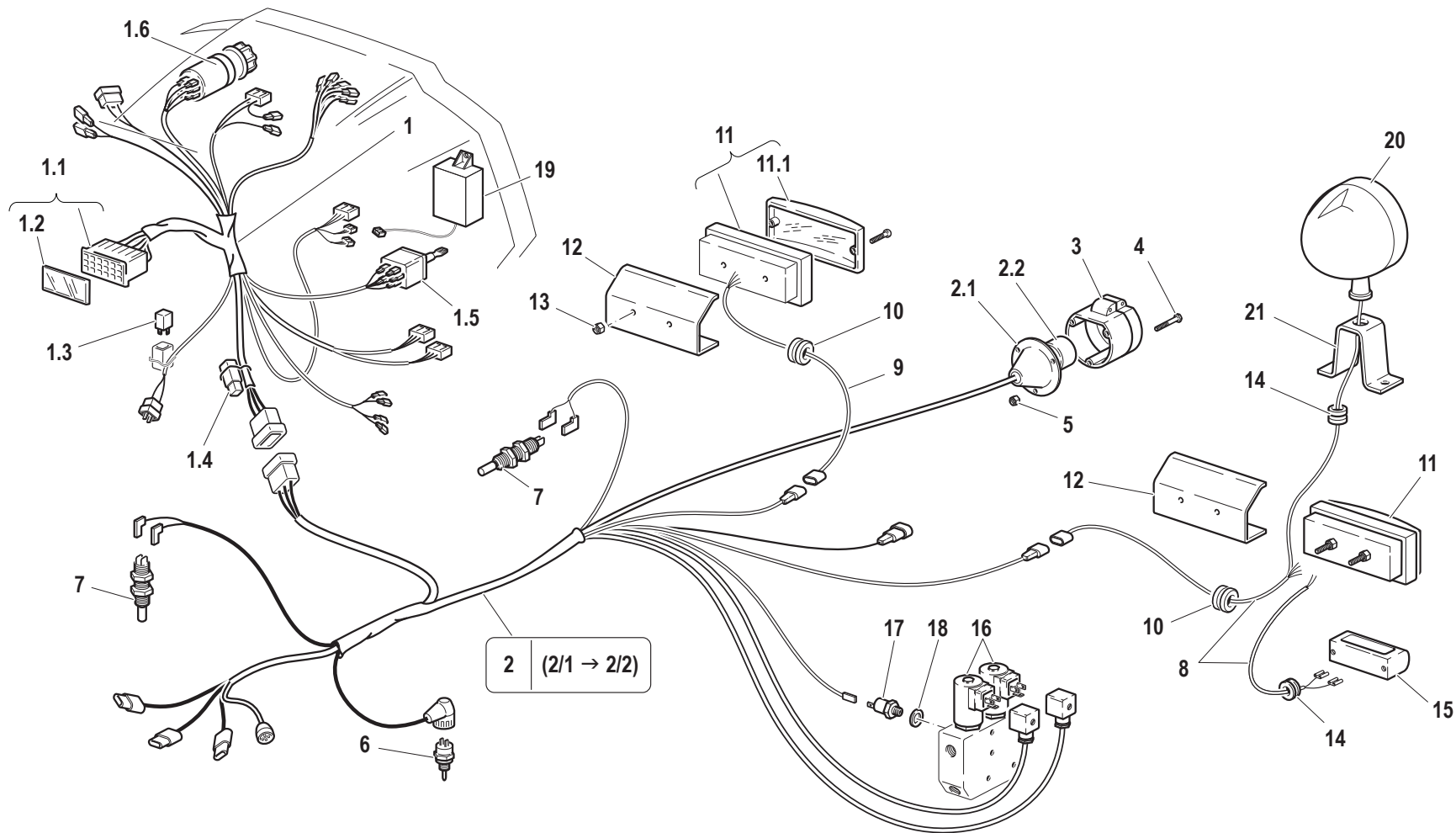
Pos.	Code	Q.ty	Description	Notes
1	58174192	1	HANDLE	
2	58070169	1	LOCKRING	
3	55170053	1	CAP	
4	58170054	1	COLLAR	
5	58070164	1	SPRING	
6	56370172	1	SPACER	
7	56379287	1	PULL ROD	
8	56379290	1	PULL ROD	
9	56379286	1	PULL ROD	
10	56379289	1	PULL ROD	
11	56379288	1	PULL ROD	
12	52275923	1	SELECTOR FORK	
13	52373240	1	SELECTOR FORK	
14	52275924	1	SELECTOR FORK	
15	51272405	1	SELECTOR FORK	
16	51279318	1	GEAR FORK	
17	F0851180000	1	PIN 5X26 DIN 1481 CL:C72	
18/1	59074180	1	COMMAND LEVER	
18/2	52374183	1	COMMAND LEVER	
19/1	59074179	1	COMMAND LEVER	
19/2	52374182	1	COMMAND LEVER	
20	59074181	1	COMMAND LEVER	
21	56571697	1	TOGGLE	
22	F0863105000	1	SCREW M10X10 UNI 5923	
23	F0847434000	1	BALL	
24	58070741	1	SPRING	
25	58070168	1	LOCKRING	
26	51171621	1	COVER	
27	56370018	1	HINGE PIN	
28	F0862694000	1	SCREW M8X170 UNI 5737	
29	55174163	1	BELLOWS	
30	55174162	1	BELLOWS	
31	56074172	1	CLAMPING PLATE	
32	F0861929060	1	SCREW M5X12 UNI 5739	

SERIAL
START
920224

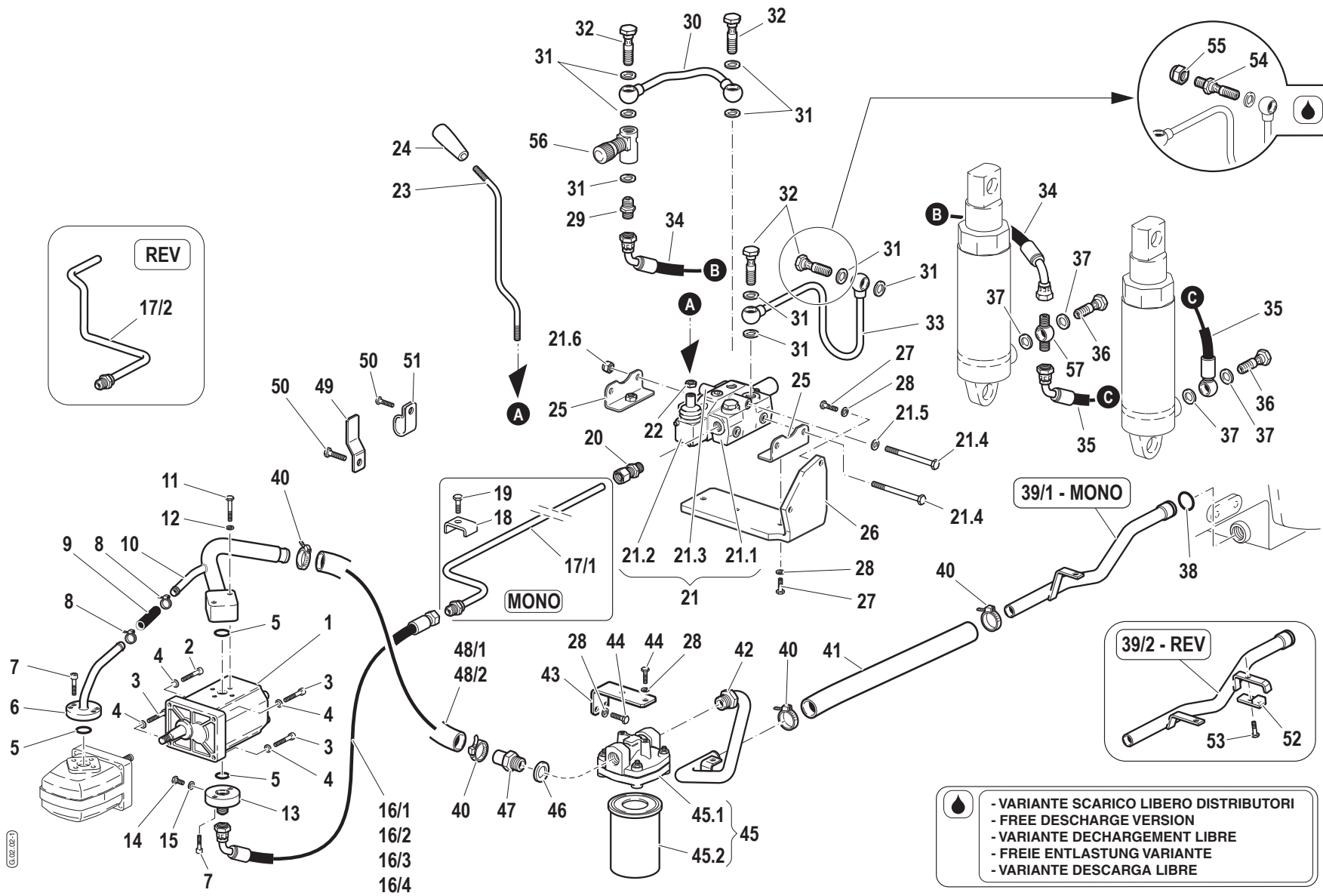
CHANGE GEAR CONTROLS

CODE REV

D0901_2_72753



Pos.	Code	Q.ty	Description	Notes
1	58075777	1	CABLE	
1.1	58170453	1	FUSE BOX	
1.2	58172267	1	COVER	
1.3	59900242	1	RELAY	
1.4	F0825139000	1	FLASHER	
1.5	F0825436000	1	SWITCH	
1.6	F0825436003	1	SWITCH	
2.1	58170572	1	CAP	
2/1	58076060	1	CABLE	
2/2	58076059	1	CABLE	
2.2	58170571	1	ATTACHMENT PLUG	
3	F0825438000	1	SOCKET	
4	F0861941000	1	SCREW M5X35 UNI 6107	
5	F0814525000	1	NUT M5	
6	30000638	1	SWITCH	
7	F0825488000	1	SWITCH	
8	58072568	1	CABLE	
9	58071305	1	CABLE	
10	58170947	1	CABLE GLAND	
11	F0825420600	1	LAMP	
11.1	F0825420660	1	GLASS	
12	56171938	1	BRACKET	
13	F0814529080	1	SELFLOCK NUT M5	
14	F0825414000	1	CABLE GLAND 7-15-18,5-2,5	
15	30000506	1	LAMP	
16	58172463	1	ELECTRO VALVE	
17	58173399	1	PRESSURE SWITCH	
18	F0843841000	1	COPPER WASHER 12,0x18/1,5	
19	58175700	1	SWITCHING DEVICE	
20	F0825493000	1	HEADLIGHT	
21	F0190035152	1	SUPPORT	

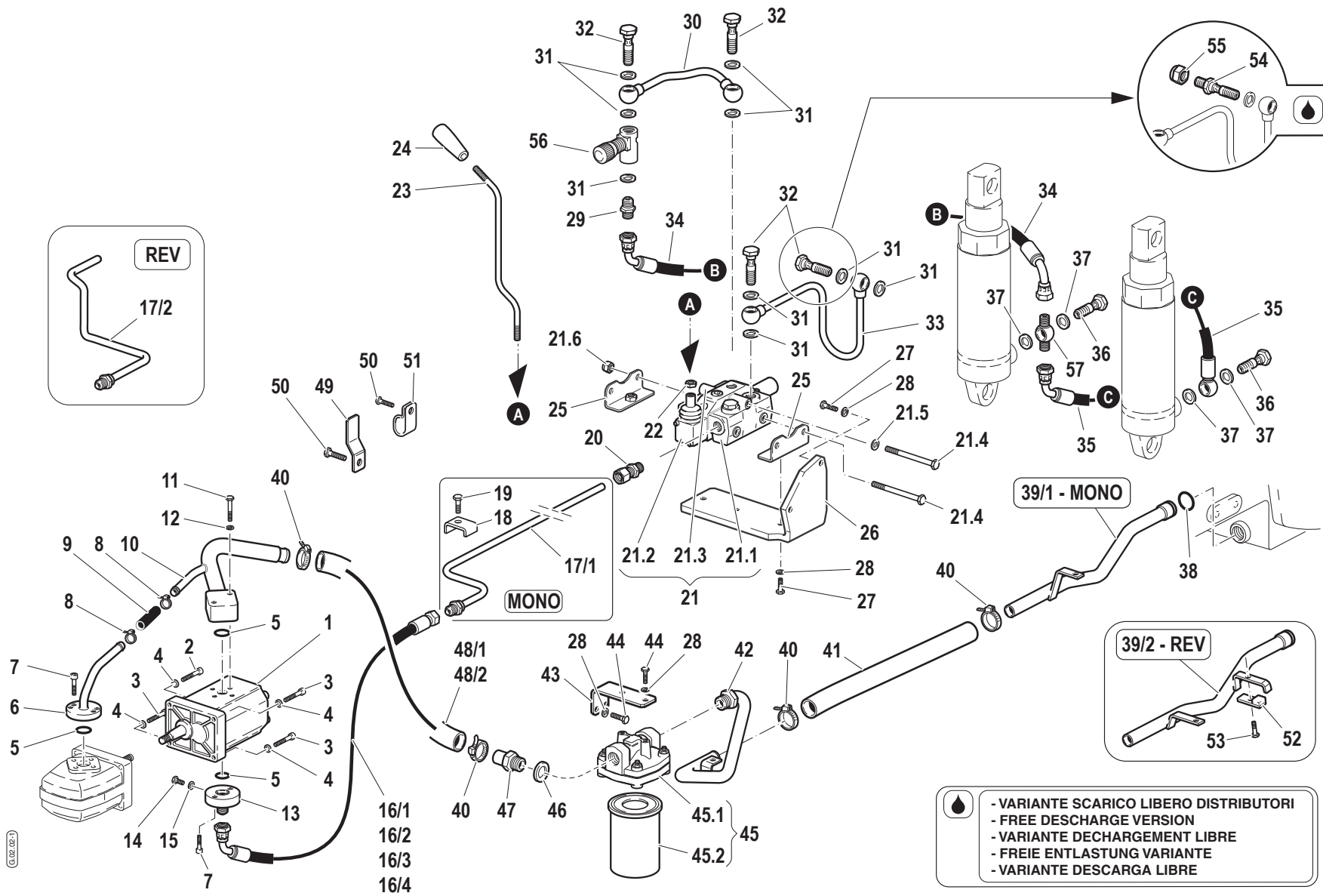


Pos.	Code	Q.ty	Description	Notes
1	58173636	1	LIFT PUMP	
2	31152060	1	SCREW TCEI M6X30 UNI 5931	
3	31152064	1	SCREW TCEI M6X25 UNI 5931	
4	31411064	1	WASHER 6,4x12,5	
5	F0803185000	1	O-RING 3068 (17,12x2,62)	
6	59074413	1	SUCTION PIPE	
7	31152057	1	SCREW TCEI M6X16 UNI 5931	
8	F0817514000	1	CLAMP	
9	F0256612913	1	PIPE	
10	59074412	1	SUCTION PIPE	
11	F0862345000	1	SCREW M6X40 UNI 5737	
12	F0843570000	1	WASHER 6	
13	F0825809000	1	PRESSURE PIPE CONNECTOR	
14	F0862462010	1	SCREW M8X1/12 UNI5740	
15	F0824022000	1	SPECIAL GASKET D.8,4X12/1	
16/1	58072470	1	FLEXIBLE HOSE	
16/2	58072799	1	FLEXIBLE HOSE	
16/3	58072132	1	FLEXIBLE HOSE	
16/4	58072800	1	FLEXIBLE HOSE	
17/1	59072145	1	PIPE	
17/2	59072785	1	PRESSURE PIPE	
18	56172183	1	BRACKET	
19	31112146	1	SCREW TE M8X22 UNI 5739 8G	
20	58172015	1	PIPE FITTING	
21	58172010	1	DISTRIBUTOR	
21.1	58172304	1	HEAD	
21.2	58172011	1	S.A. VALVE	
21.3	58172489	1	COVER	
21.4	58172490	1	ROD	
21.5	31411084	1	WASHER 8,4x17	
21.6	31211080	1	NUT M8	
22	31211100	1	NUT M10	
23	56172769	1	COMMAND LEVER	
24	F0837534010	1	GRIP	

SERIAL
START
900160

HYDRAULIC SYSTEM

CODE REV
G0202_1_65175

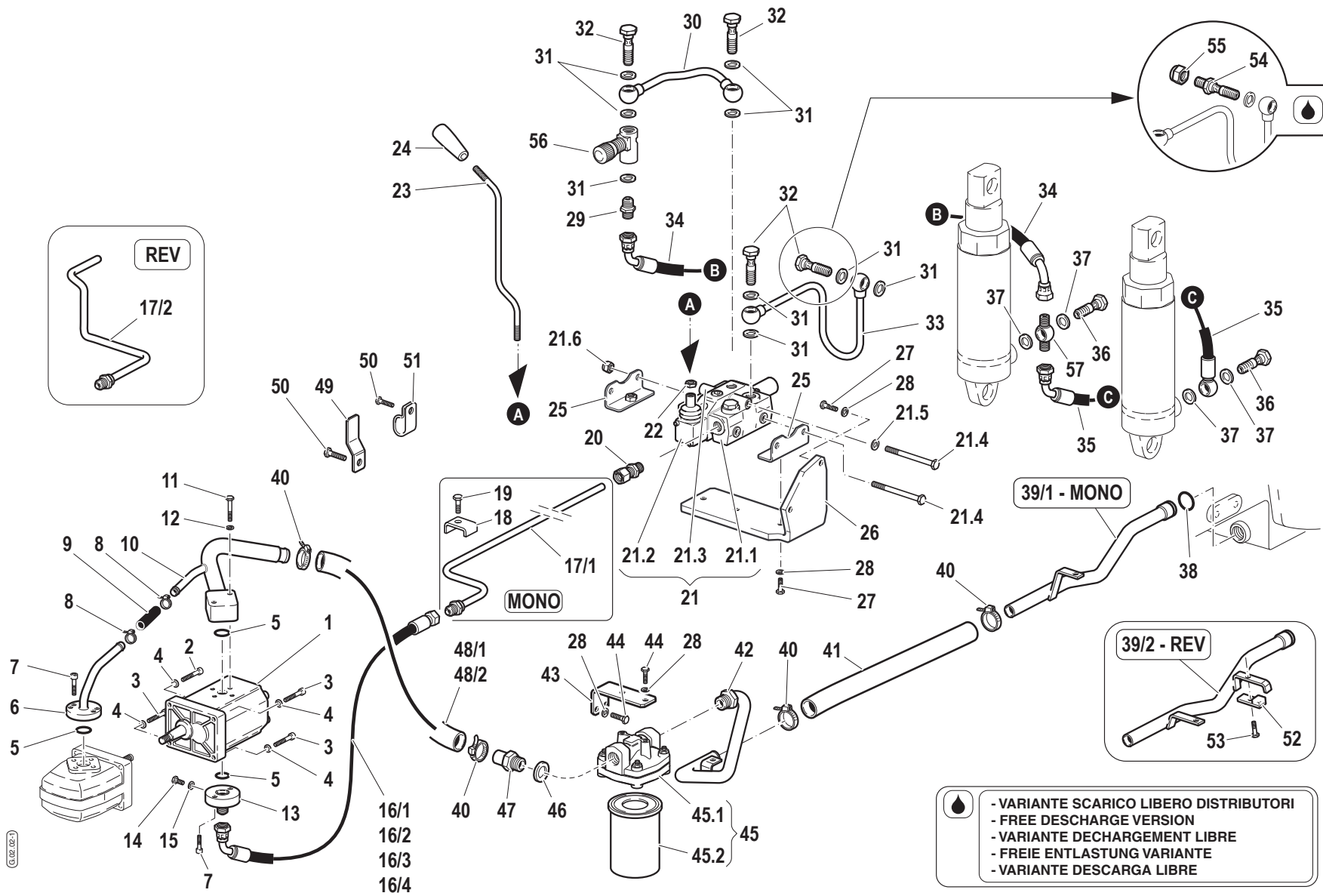


Pos.	Code	Q.ty	Description	Notes
25	59072057	1	FIXING BRACKET	
26	56172561	1	RETAINER	
27	31112146	1	SCREW TE M8X22 UNI 5739 8G	
28	F0843643060	1	WASHER 8	
29	F0835023000	1	NIPPLE	
30	59075386	1	PRESSURE PIPE	
31	F0824110000	1	COPPER WASHER 3/8 GAS	
32	F0843109020	1	PIPE FITTING	
33	59073160	1	EXHAUST	
34	58075372	1	FLEXIBLE HOSE	
35	58072269	1	FLEXIBLE HOSE	
36	F0843107000	1	PIPE FITTING GAS 1/4	
37	F0843907000	1	COPPER WASHER 13,66x19/1,5	
38	38112507	1	O-RING 3100 (25,07X2,62)	
39/1	59072410	1	SUCTION PIPE	
39/2	59072893	1	SUCTION PIPE	
40	F0817530200	1	CLAMP	
41	58170352	1	FLEXIBLE HOSE	
42	59072408	1	SUCTION PIPE	
43	56172411	1	FILTER SUPPORT	
44	31111151	1	SCREW TE M8X16 UNI 5739 8G	
45	F0825718000	1	FILTER	
45.1	F0825718010	1	FILTER HEAD	
45.2	F0825718020	1	FILTER INSERT	
46	F0824185000	1	COPPER WASHER 26X34X1,5	
47	56170350	1	PIPE FITTING	
48/1	58172607	1	FLEXIBLE HOSE	
48/2	58172907	1	FLEXIBLE HOSE	
49	56173247	1	BRACKET	
50	31112270	1	SCREW TE M12X20 UNI 5739	
51	58073300	1	HOSE CLIP	
52	59072826	1	BRACKET	
53	31112089	1	SCREW TE M6X25 UNI 5739 8G	
54	56373163	1	PIPE UNION	

SERIAL
START
900160

HYDRAULIC SYSTEM

CODE REV
G0202_1_65175

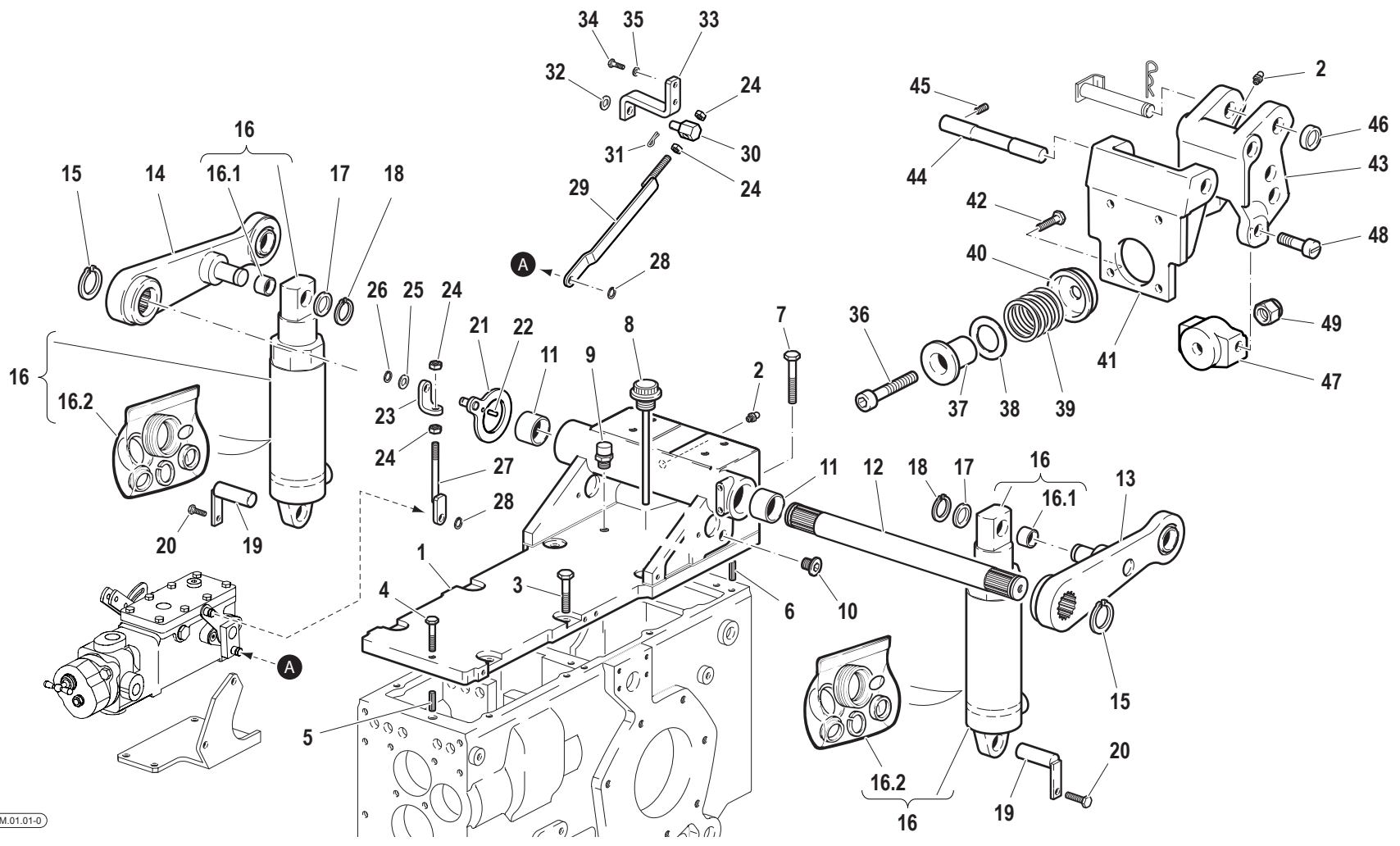


Pos.	Code	Q.ty	Description	Notes
55	F0852589000	1	PLUG	
56	P24117100000	1	VALVE	
57	F0842519050	1	PIPE FITTING	

SERIAL
START
900160

HYDRAULIC SYSTEM

CODE REV
G0202_1_65175



M.01.01-0

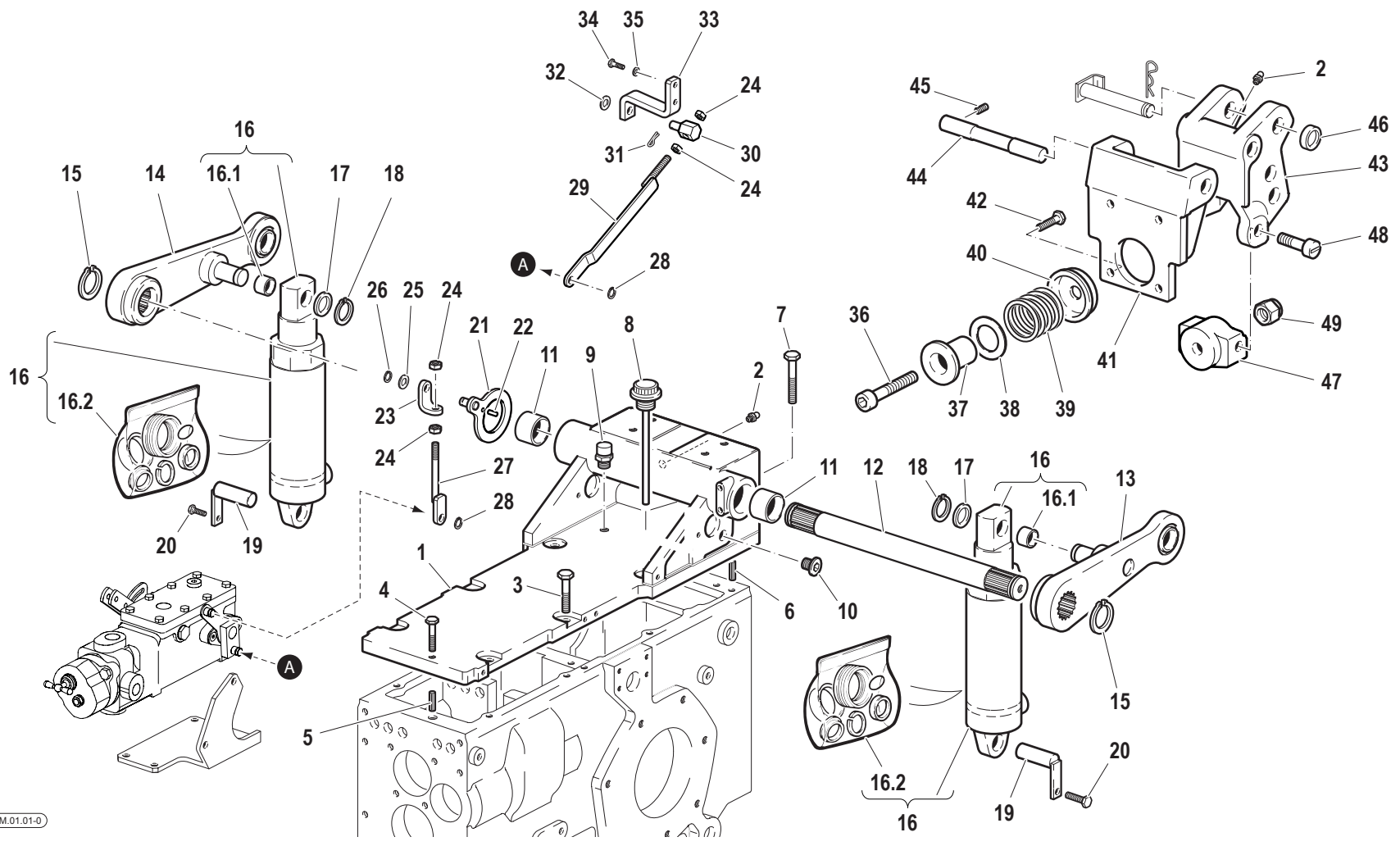
Pos.	Code	Q.ty	Description	Notes
1	51172366	1	SUPPORT	
2	F0826056000	1	LUBRICATOR M10 UNI 7663A	
3	31112219	1	SCREW TE M10X25 UNI 5739	
4	31112154	1	SCREW TE M8X40 UNI 5739 8G	
5	56170017	1	PIN	
6	56370228	1	CYLINDRICAL PLUG	
7	F0863358000	1	SCREW TE M10X40 UNI 5737	
8	58071805	1	PLUG	
9	30040005	1	PLUG	
10	58072045	1	PLUG	
11	58171861	1	BUSHING	
12	56571785	1	SHAFT	
13	59071783	1	LIFTING ARM	
14	59075512	1	RIGHT ARM	
15	F0801264050	1	SEEGER RING E 35X2,5 U/7436	
16	58071534	1	LIFTING CYLINDER	
17	56172905	1	THRUST PLATE	
18	F0801149010	1	SEEGER RING E 20 7436D/471-2	
19	59071786	1	HINGE PIN	
20	31111151	1	SCREW TE M8X16 UNI 5739 8G	
21	59075467	1	SHIM	
22	56570506	1	PIN	
23	56375471	1	BRACKET	
24	F0814569000	1	NUT M8 UNI 5589 CL:8	
25	31411104	1	WASHER 10,5x18	
26	F0801050000	1	SEEGER RING E 10 UNI 7435	
27	59076160	1	ROD	
28	35211070	1	SEEGER RING E 7 UNI 7434	
29	59075476	1	ROD	
30	56075265	1	HINGE PIN	
31	34110030	1	SPLIT PIN	
32	31411104	1	WASHER 10,5x18	
33	56075473	1	BRACKET	
34	31112093	1	SCREW TE M6X20 UNI 5739 8G	

SERIAL

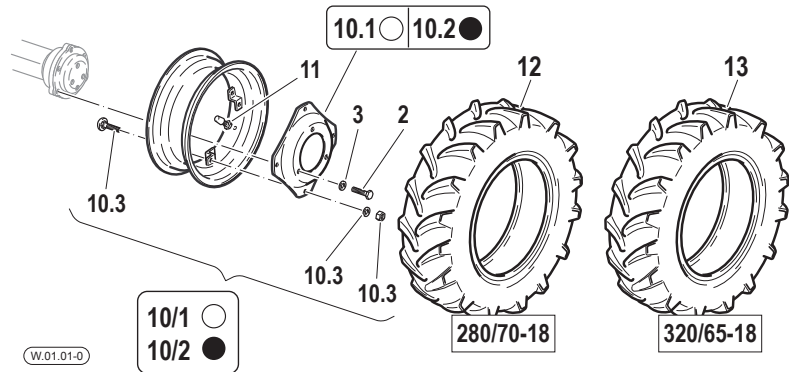
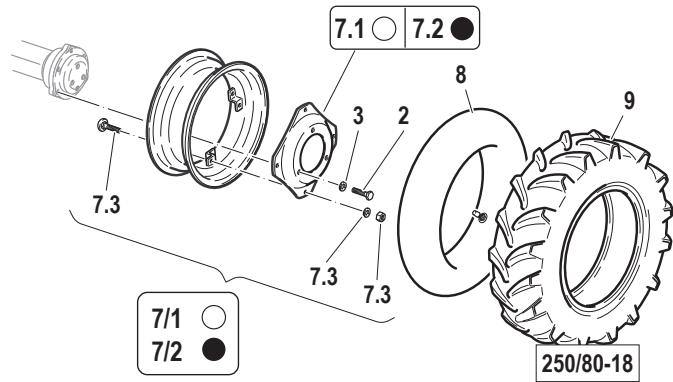
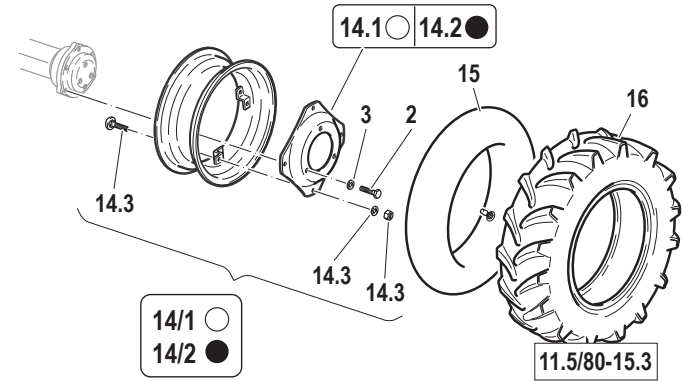
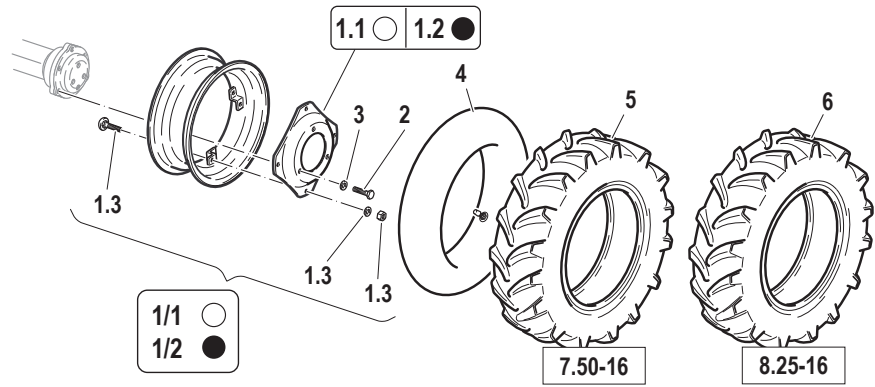
POSITION AND DRAFT CONTROL LIFT

CODE REV

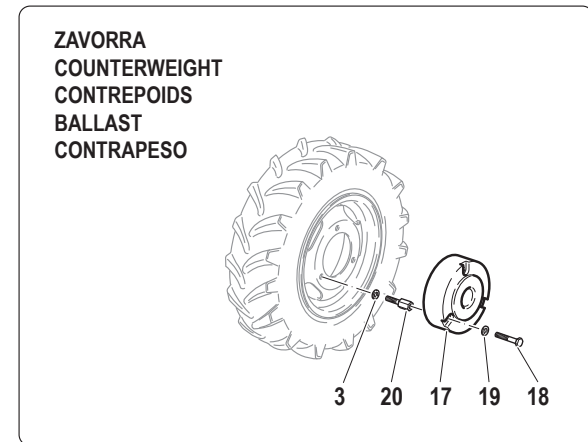
M0101_1_65511



Pos.	Code	Q.ty	Description	Notes
35	F0843570000	1	WASHER 6	
36	F0864322100	1	SCREW M14X1,5/70 UNI5932	
37	56072960	1	SLEEVE	
38	56372952	1	SHIM	
38	56372953	1	SHIM	
38	56372954	1	SHIM	
38	56372955	1	SHIM	
39	58073192	1	SPRING	
40	56073148	1	SLEEVE	
41	51372479	1	BRACKET	
42	31112211	1	SCREW TE M10X30 UNI 5739	
43	51173115	1	THREE-POINT LINKAGE	
44	56472318	1	HINGE PIN	
45	F0862443010	1	SCREW M8X10 UNI 5927	
46	58071757	1	WASHER D.33x19,5/8	
47	51172962	1	SLEEVE	
48	56572959	1	PIN	
49	31241142	1	SELFLOCK NUT M14x1,5	



W.01.01-0



● COLORE GRIGIO
GREY COLOUR
COULEUR GRISE
GRAU FARBE
COLOR GRIS

○ COLORE GIALLO
YELLOW COLOUR
COULEUR JAUNE
GELBE FARBE
COLOR AMARILLO

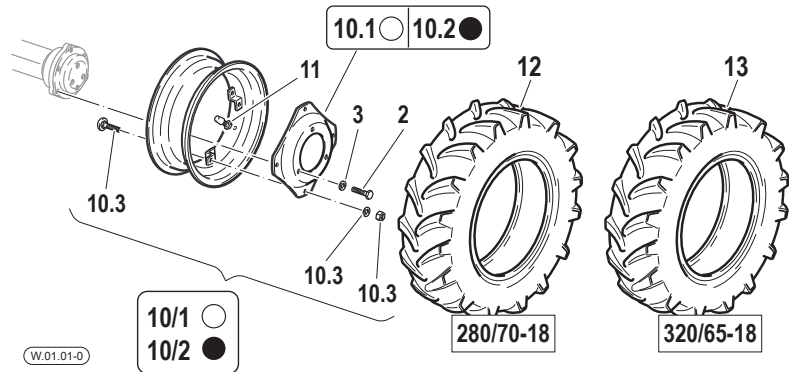
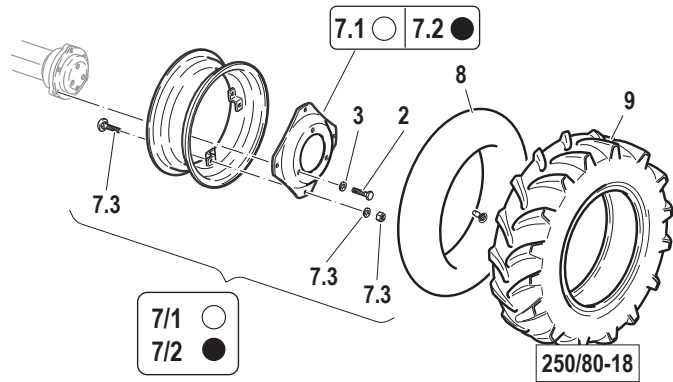
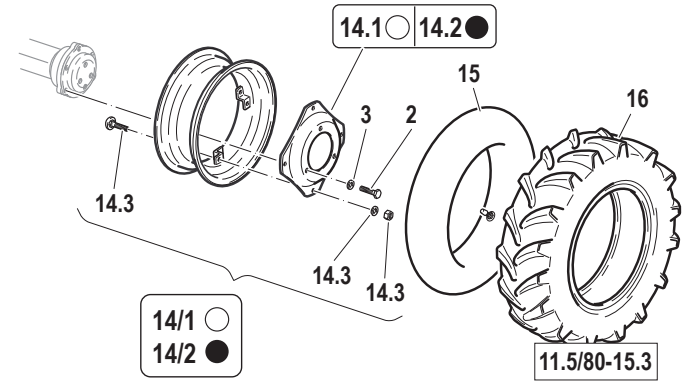
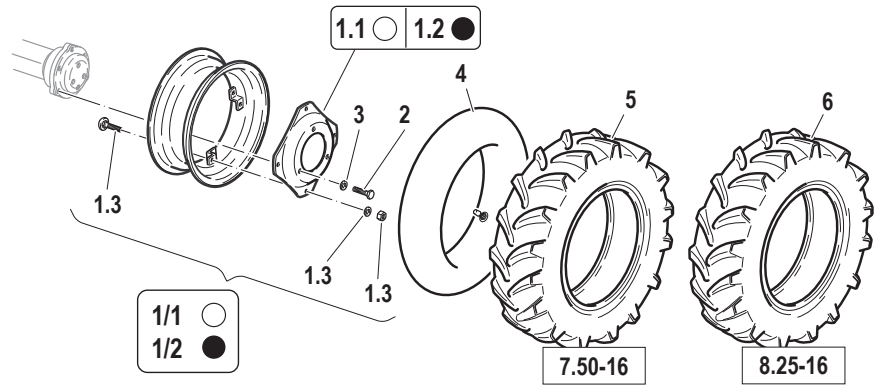
Pos.	Code	Q.ty	Description	Notes
1/1	58179667	1	RIM	
1.1	581A0367	1	WHEEL DISC	
1.2	581A0368	1	WHEEL DISC	
1/2	58179668	1	RIM	
1.3	59901294	1	SCREW SET	
2	F0864410500	3	SCREW M18X1,5/45 U/5740	
3	F0844150000	3	WASHER D.30x18,5/5	
4	F0848887000	1	INNER TUBE	
5	F0848635000	1	TYRE 7.50-16 8PR	
6	F0848648000	1	TYRE 8.25-16 06 TT	
7.1	581A0158	1	WHEEL DISC	
7/1	59271732	1	RIM	
7/2	59273938	1	RIM	
7.2	581A0159	1	WHEEL DISC	
7.3	59901295	1	SCREW SET	
8	F0848855000	1	INNER TUBE	
9	F0848655000	1	TYRE 250/80-18 8PR	
10/1	59271729	1	RIM	
10.1	581A0152	1	WHEEL DISC	
10.2	581A0153	1	WHEEL DISC	
10/2	59273937	1	RIM	
10.3	59901295	1	SCREW SET	
11	F0150010905	1	VALVE	
12	39118050	1	TYRE 280/70R18	
13	F0848679600	4	TYRE 320/65R18	
14.1	581A0143	1	WHEEL DISC	
14/1	59271888	4	RIM	
14/2	59273939	1	RIM	
14.2	581A0144	1	WHEEL DISC	
14/3	59901293	1	SCREW SET	
15	F0848844000	1	INNER TUBE	
16	F0848672100	1	TYRE 11.5/80-15.3 8PR	
17	51172563	1	BALLAST	
18	F0864314000	1	SCREW M14X65 UNI 5737	

SERIAL

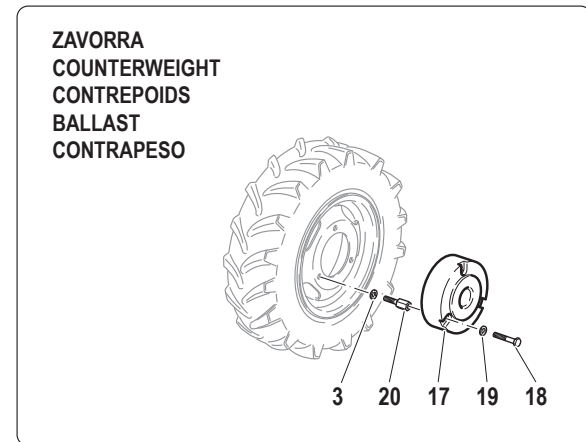
WHEELS AND TYRES

CODE REV

W0101_0_65465



W.01.01-0



● COLORE GRIGIO
GREY COLOUR
COULEUR GRISE
GRAU FARBE
COLOR GRIS

○ COLORE GIALLO
YELLOW COLOUR
COULEUR JAUNE
GELBE FARBE
COLOR AMARILLO

Pos.	Code	Q.ty	Description	Notes
19	F0843993060	1	WASHER 28x15/4	
20	56370539	1	SPECIAL SCREW	

SPARE PARTS INSTANCE INDEX





SPARE PARTS INSTANCE INDEX

Code	Parts Table	Pos.	Q.ty
28174882	A0301_1_63276	13	1
30000007	C0202_2_64535	45	1
30000506	E0302_1_65057	15	1
30000514	B0301_0_2700	11	0
30000614	B0501_1_42781	7	1
30000638	E0302_1_65057	6	1
30040005	G0101_0_3995	9	0
	H0101_0_4286	9	0
	M0101_1_65511	9	1
31111084	H0401_0_4504	15/1	0
31111091	A0301_1_63276	14	1
	D0201_0_3112	18	0
	H0101_0_4286	22	0
31111151	B0204_1_63633	20	1
	B0604_0_63758	10	5
	G0101_0_3995	20	0
	G0202_1_65175	44	1
	H0101_0_4286	20	0
	H0202_0_4405	48	0
	L0201_0_4601	3	0
	L0202_0_4630	2	0
	L0203_0_4662	3	0
	M0101_1_65511	20	1
31112049	H0101_0_4286	24	0
	H0401_0_4504	10	0
	H0401_0_4504	15/2	0
31112082	B0204_1_63633	24	1
	B0301_0_2700	18	1
	D0601_2_72925	21	3
	H0401_0_4504	18	0
31112089	G0202_1_65175	53	1
	H0202_0_4405	57	0
31112090	A0202_0_2373	22	0
	B0501_1_42781	20	1

Code	Parts Table	Pos.	Q.ty
31112090	D1501_0_3724	10	0
31112093	M0101_1_65511	34	1
31112146	G0202_1_65175	19	1
	G0202_1_65175	27	1
	G0303_0_4180	9	0
	H0202_0_4405	19	0
	H0202_0_4405	31	0
	H0302_0_4484	9	0
31112147	D1402_0_3708	3/2	0
	F0104_0_3949	12	0
31112148	A0101_1_63226	11	1
	A0102_1_63249	11	1
	A0202_0_2373	4	0
31112150	A0202_0_2373	13	0
	B0204_1_63633	28	1
	C0202_2_64535	38	1
	D1402_0_3708	3/1	0
	D1501_0_3724	8	0
	L0201_0_4601	13	0
	L0202_0_4630	20	0
	L0203_0_4662	13	0
31112151	B0204_1_63633	11	1
	B0703_1_65989	4	1
	D0504_0_3313	30	0
31112154	G0101_0_3995	4	0
	H0101_0_4286	4	0
	M0101_1_65511	4	1
31112155	B0703_1_65989	3	1
31112158	H0202_0_4405	23	0
31112161	D1202_0_3587	15	0
31112208	C0202_2_64535	6	1
	D0504_0_3313	42	0
31112210	A0501_0_2443	14	0
	F0104_0_3949	3	0

Code	Parts Table	Pos.	Q.ty
31112211	B0204_1_63633	15	1
	C0102_0_2927	8	0
	H0101_0_4286	35	0
	M0101_1_65511	42	1
31112214	C0102_0_2927	7	0
31112215	D0302_1_43271	6	1
	D0504_0_3313	3	0
31112216	D0504_0_3313	4	0
31112219	A0101_1_63226	3	1
	A0102_1_63249	3	1
	B0204_1_63633	36	1
	B0204_1_63633	54	1
	C0302_1_72740	11	1
	F0104_0_3949	4	0
	G0101_0_3995	3	0
	H0101_0_4286	3	0
	M0101_1_65511	3	1
31112224	A0501_0_2443	11	0
31112264	B0301_0_2700	14	0
	C0102_0_2927	6	0
31112270	A0101_1_63226	5	1
	A0102_1_63249	5	1
	G0202_1_65175	50	1
	H0202_0_4405	54	0
31112272	B0301_0_2700	8	0
	L0201_0_4601	9	0
	L0202_0_4630	29	0
	L0203_0_4662	9	0
31112328	B0101_0_2468	15	0
31122804	B0204_1_63633	37	1
31132562	C0202_2_64535	43	1
31133600	B0703_1_65989	20	1
31152057	F0104_0_3949	29	0
	G0202_1_65175	7	1



SPARE PARTS INSTANCE INDEX

Code	Parts Table	Pos.	Q.ty	Code	Parts Table	Pos.	Q.ty	Code	Parts Table	Pos.	Q.ty
31152057	H0202_0_4405	7	0	31241142	H0101_0_4286	41	0	31510053	B0501_1_42781	5	1
31152060	F0104_0_3949	34/2	1		M0101_1_65511	49	1	34110030	M0101_1_65511	31	1
	G0202_1_65175	2	1	31411064	B0301_0_2700	19	1	34211027	B0703_1_65989	28	1
	H0202_0_4405	2	0		F0104_0_3949	35	0	34211028	B0703_1_65989	29	1
31152063	F0104_0_3949	34/1	1		G0202_1_65175	4	1	34211054	D1402_0_3708	5	0
31152064	G0202_1_65175	3	1		H0202_0_4405	4	0	34213035	A0202_0_2373	18	0
	H0202_0_4405	3	0	31411066	A0301_1_63276	15	1	34321062	D0504_0_3313	38	0
31152085	D1202_0_3587	14	0		B0204_1_63633	25	1	35111027	D0203_1_43188	8	1
31152100	B0703_1_65989	18	1	31411084	B0101_0_2468	11	0		D0203_2_72897	8	1
31152102	D0504_0_3313	5	0		B0204_1_63633	8	1	35111042	D1001_0_3471	2	0
31211040	H0401_0_4504	16	0		B0501_1_42781	16	1	35111052	C0202_2_64535	32	1
31211060	A0202_0_2373	30	0		B0703_1_65989	5	1	35111063	D0102_0_3082	11	0
	A0301_1_63276	7	1		G0202_1_65175	21.5	1	35121025	C0202_2_64535	31	1
	B0204_1_63633	27	1		H0202_0_4405	25	0	35121030	D0601_2_72925	11	1
	B0501_1_42781	23	1	31411090	B0204_1_63633	39	1		D1401_0_3649	2	0
31211080	F0104_0_3949	14	0	31411104	M0101_1_65511	25	1	35121035	D1401_0_3649	3	0
	G0202_1_65175	21.6	1		M0101_1_65511	32	1	35121040	D0201_0_3112	3	0
	G0302_0_4169	6	0	31411105	A0101_1_63226	4	1	35131026	D0302_1_43271	26	1
	G0303_0_4180	6	0		A0102_1_63249	4	1		D0504_0_3313	12	0
	H0302_0_4484	6	0		D0504_0_3313	23	0		D0801_0_3420	1	0
31211100	A0301_1_63276	12	1	31411130	D0302_1_43271	18	1		D0801_1_72999	1	1
	C0102_0_2927	9	0		D0401_0_3186	11	0	35211060	B0101_0_2468	4	0
	G0202_1_65175	22	1		D0504_0_3313	18	0	35211070	M0101_1_65511	28	1
	G0302_0_4169	10	0	31411150	B0101_0_2468	17	0	37111255	D0801_1_72999	2	1
	G0303_0_4180	14	0		D0504_0_3313	32	0	37111299	D0801_0_3420	14	0
	H0202_0_4405	26	0	31411170	L0201_0_4601	20	0	37111303	D1401_0_3649	14	0
	H0302_0_4484	15	0		L0202_0_4630	8	0	37111353	D1401_0_3649	4	0
31212060	H0401_0_4504	19	0		L0203_0_4662	20	0	37111400	D0201_0_3112	5	0
31221080	B0703_1_65989	27	1	31411190	L0201_0_4601	18	0	37111460	D0201_0_3112	19	0
31231080	A0202_0_2373	11	0		L0202_0_4630	16	0	37112120	C0202_2_64535	40	1
31241080	A0501_0_2443	9	0		L0203_0_4662	18	0	37112249	C0202_2_64535	33	1
31241100	B0204_1_63633	55	1	31421083	C0202_2_64535	39	1	37120000	D0801_1_72999	14	1
31241140	B0301_0_2700	5	0	31450060	D0601_2_72925	22	3	37221300	D0102_0_3082	10	0
31241142	A0202_0_2373	20	0	31480191	C0302_1_72740	2	1	38104412	C0202_2_64535	27	1

SPARE PARTS INSTANCE INDEX

Code	Parts Table	Pos.	Q.ty	Code	Parts Table	Pos.	Q.ty	Code	Parts Table	Pos.	Q.ty
38112200	D1402_0_3708	9	0	51271647	D1202_0_3587	8	0	52471509	D0102_0_3082	19	0
38112507	G0202_1_65175	38	1	51271833	B0703_1_65989	12	1		D1001_0_3471	8	0
	H0202_0_4405	42	0	51271834	B0703_1_65989	14	1	52471511	D1001_0_3471	15/1	0
38112670	D0102_0_3082	6	0	51272405	D0901_2_72753	15	1	52471512	D1001_0_3471	16/1	0
38112982	D1501_0_3724	32	0	51276978	C0302_1_72740	8	1	52471513	D0102_0_3082	15	0
38116317	D1401_0_3649	36	0	51276979	C0302_1_72740	9	1		D1001_0_3471	6	0
38212003	D1001_0_3471	1	0	51279318	D0901_2_72753	16	1	52471516	D0102_0_3082	16	0
38212503	D0201_0_3112	30	0	512A0908	C0102_0_2927	3/1	1		D1001_0_3471	7	0
	D0302_1_43271	16	1	512A0909	C0102_0_2927	2	1	52471531	D1102_0_3525	12/1	0
39118050	W0101_0_65465	12	1	512A0910	C0102_0_2927	3/2	1	52471532	D0102_0_3082	24/1	0
41S80000	A0101_1_63226	1	1	51372479	H0101_0_4286	34	0		D1001_0_3471	19/1	0
41S90000	A0102_1_63249	1	1		M0101_1_65511	41	1	52471533	D1102_0_3525	4/1	0
50974166	D0601_2_72925	17	1	51374866	D0102_0_3082	20	0	52472272	D1401_0_3649	6	0
51171603	C0302_1_72740	6	1		D1001_0_3471	11	0	52472273	D1401_0_3649	11	0
51171604	C0302_1_72740	7	1	52071702	D0201_0_3112	17	0	52472322	D1401_0_3649	28	0
51171614	C0102_0_2927	1	0	52171744	D0201_0_3112	29	0	52472324	D1401_0_3649	42	0
51171621	D0901_2_72753	26	1	52172158	C0202_2_64535	21	1	52472325	D1401_0_3649	9	0
51171641	G0101_0_3995	1/1	1	52172159	C0202_2_64535	21	1	52472342	D1401_0_3649	27	0
51171842	D0201_0_3112	24	0	52172160	C0202_2_64535	21	1	52472344	D0203_1_43188	7	1
51171904	B0703_1_65989	17	1	52172161	C0202_2_64535	21	1		D0203_2_72897	7	1
51172366	H0101_0_4286	1	0	52172162	C0202_2_64535	21	1	52472430	D1402_0_3708	11	0
	M0101_1_65511	1	1	52275923	D0901_2_72753	12	1	52473001	D1401_0_3649	39	0
51172508	D1102_0_3525	3	0	52275924	D0901_2_72753	14	1	52473713	D0801_0_3420	7	0
51172563	W0101_0_65465	17	1	52371679	D1402_0_3708	10	0	52473719	D0801_0_3420	9	0
51172891	D0504_0_3313	1	0	52371733	D0201_0_3112	26	0	52473720	D0801_0_3420	13	0
51172962	H0101_0_4286	40	0	52372292	D1401_0_3649	22	0	52473721	D0701_2_72962	19	1
	M0101_1_65511	47	1	52372343	D1202_0_3587	1	0	52473722	D0801_0_3420	15	0
51173115	H0101_0_4286	38	0	52373177	D0504_0_3313	19	0	52473789	D0701_2_72962	6	1
	M0101_1_65511	43	1	52373240	D0901_2_72753	13	1	52473791	D0801_0_3420	3	0
51174228	B0101_0_2468	12	0	52374182	D0901_2_72753	19/2	1		D0801_1_72999	3	1
51175011	L0302_0_4700	1.2	0	52374183	D0901_2_72753	18/2	1	52473793	D0801_0_3420	12	0
51178584	G0101_0_3995	1/2	1	523A0166	C0202_2_64535	19	1	52473796	D0701_2_72962	17	1
511A0898	C0302_1_72740	1	1	52471459	D0701_2_72962	20	1	52473812	D0701_2_72962	6	1
51271615	D1202_0_3587	9	0	52471502	D0201_0_3112	13	0	52473813	D0701_2_72962	6	1



SPARE PARTS INSTANCE INDEX

Code	Parts Table	Pos.	Q.ty	Code	Parts Table	Pos.	Q.ty	Code	Parts Table	Pos.	Q.ty
52473815	D0801_0_3420	3	0	53272293	D1401_0_3649	17	0	56075473	M0101_1_65511	33	1
	D0801_1_72999	3	1	53273000	D1401_0_3649	38	0	560A0221	D1401_0_3649	53	1
52473920	D1102_0_3525	4/2	0	55072935	B0204_1_63633	23	1	56170017	G0101_0_3995	5	0
52473921	D1102_0_3525	12/2	0	55170047	D0401_0_3186	9	0		H0101_0_4286	5	0
52473922	D0102_0_3082	24/2	0	55170053	D0901_2_72753	3	1		M0101_1_65511	5	1
	D1001_0_3471	19/2	0	55171747	A0301_1_63276	3	1	56170043	D0401_0_3186	10	0
52473923	D1001_0_3471	15/2	0	55171748	A0301_1_63276	9	1	56170226	C0202_2_64535	18	1
52473924	D1001_0_3471	16/2	0	55171751	A0401_0_2427	4	0	56170274	A0501_0_2443	5	0
52474190	D1401_0_3649	1	0	55172608	C0202_2_64535	41	1	56170275	A0501_0_2443	6	0
52474239	D0801_0_3420	3	0	55174162	D0901_2_72753	30	1	56170350	G0202_1_65175	47	1
	D0801_1_72999	3	1	55174163	D0901_2_72753	29	1		H0202_0_4405	51	0
52475921	D0601_2_72925	7.1	2	55175174	B0204_1_63633	19	1	56170413	D1501_0_3724	15	0
52476391	D0203_1_43188	1	1	55271644	B0501_1_42781	4/2	1	56170419	A0202_0_2373	21	0
52477986	D0801_1_72999	12	1	55271852	B0501_1_42781	4/1	1	56170491	A0202_0_2373	14	0
52477987	D0801_1_72999	3	1	55274164	A0501_0_2443	1	0	56171233	E0101_0_3772	10	0
52479152	D0801_1_72999	15	1	55274441	B0501_1_42781	3	1	56171499	D0201_0_3112	15	0
52479153	D0801_1_72999	7	1	55274442	H0401_0_4504	14	0	56171568	D1102_0_3525	7/1	0
52479154	D0601_2_72925	6	1	553A0763	B0703_1_65989	9	1	56171671	D0102_0_3082	7	0
52479155	D0601_2_72925	9	1	56071681	B0101_0_2468	3	0	56171672	D0102_0_3082	9	0
52479156	D0601_2_72925	13	1	56071684	B0101_0_2468	2	0	56171704	B0301_0_2700	2	0
52479157	D0701_2_72962	25	1	56071768	A0202_0_2373	3	0	56171760	A0401_0_2427	2	0
52479158	D0601_2_72925	16	1	56072960	H0101_0_4286	30	0	56171775	A0501_0_2443	13	0
52479160	D0701_2_72962	23	1		M0101_1_65511	37	1	56171787	D0504_0_3313	15	0
52479161	D0801_1_72999	13	1	56073148	H0101_0_4286	33	0	56171788	L0201_0_4601	25	0
52479162	D0701_2_72962	15	1		M0101_1_65511	40	1		L0202_0_4630	27	0
52479163	D0701_2_72962	7	1	56073153	L0301_0_4690	5	0		L0203_0_4662	25	0
52479164	D0701_2_72962	12	1	56073155	L0301_0_4690	1	0	56171789	L0201_0_4601	24	0
52479165	D0801_1_72999	9	1	56074172	D0901_2_72753	31	1		L0202_0_4630	28	0
524A0883	D0801_1_72999	16	1	56074233	L0201_0_4601	6	0		L0203_0_4662	24	0
524A0887	D0203_2_72897	1	1		L0203_0_4662	6	0	56171847	D0201_0_3112	6	0
52571740	D0203_1_43188	5/1	1	56074234	L0201_0_4601	7	0	56171934	D0201_0_3112	8	0
	D0203_2_72897	5/1	1		L0203_0_4662	7	0	56171936	D0504_0_3313	44	1
52572605	D1001_0_3471	18	0	56075018	L0302_0_4700	1.1	0	56171938	E0101_0_3772	8	0
52572606	D1001_0_3471	17	0	56075265	M0101_1_65511	30	1		E0302_1_65057	12	1

SPARE PARTS INSTANCE INDEX

Code	Parts Table	Pos.	Q.ty	Code	Parts Table	Pos.	Q.ty	Code	Parts Table	Pos.	Q.ty
56171954	B0204_1_63633	18	1	56172926	H0101_0_4286	25	0	56370172	D0901_2_72753	6	1
56171996	B0204_1_63633	38	1	56173016	D1402_0_3708	12	0	56370178	C0202_2_64535	17	1
56172080	D1401_0_3649	52	0	56173022	H0101_0_4286	21	0	56370187	D1202_0_3587	4	0
56172129	B0204_1_63633	53	1	56173056	H0401_0_4504	17	0	56370228	C0202_2_64535	1.4	1
56172163	C0202_2_64535	42	1	56173210	A0202_0_2373	33	0		G0101_0_3995	6	0
56172172	B0602_0_63791	7/2	1	56173211	A0202_0_2373	12	0		H0101_0_4286	6	0
56172183	G0202_1_65175	18	1	56173247	G0202_1_65175	49	1		M0101_1_65511	6	1
	H0202_0_4405	18	0		H0202_0_4405	53	0	56370539	W0101_0_65465	20	1
56172411	G0202_1_65175	43	1	56173919	D1102_0_3525	7/2	0	56370583	D1202_0_3587	11	0
	H0202_0_4405	47	0	56174135	B0204_1_63633	5	1	56371210	L0201_0_4601	27/1	1
56172436	D0504_0_3313	10	0	56174136	B0204_1_63633	41	1		L0202_0_4630	22/1	1
56172483	H0101_0_4286	28	0	56174137	B0204_1_63633	40	1		L0203_0_4662	27/1	1
56172561	G0202_1_65175	26	1	56174275	A0101_1_63226	9	1	56371440	D0601_2_72925	3	2
	H0202_0_4405	30	0		A0102_1_63249	9	1	56371551	D0201_0_3112	14	0
56172743	F0104_0_3949	11	0	56174307	A0501_0_2443	18	0	56371575	D1102_0_3525	5	0
56172749	D1501_0_3724	1	0	56174337	B0204_1_63633	22	1	56371576	D1102_0_3525	5	0
56172750	G0303_0_4180	8	0	56174358	A0202_0_2373	28	0	56371577	D1102_0_3525	5	0
	H0302_0_4484	8	0	56174365	B0204_1_63633	44	1	56371578	D1102_0_3525	5	0
56172751	D1501_0_3724	7/2	0	56174366	B0204_1_63633	43	1	56371579	D1102_0_3525	5	0
56172759	D1501_0_3724	7/1	0	56174424	B0101_0_2468	1.1	0	56371582	C0102_0_2927	14	0
56172769	G0202_1_65175	23	1	56174425	B0101_0_2468	1.3	0		D1001_0_3471	14	0
	G0302_0_4169	7	0	56174426	B0101_0_2468	1.2	0	56371583	C0102_0_2927	14	0
	G0303_0_4180	16	0	56174427	B0101_0_2468	1.4	0		D1001_0_3471	14	0
	H0202_0_4405	27	0	56174873	B0101_0_2468	14	0	56371584	C0102_0_2927	14	0
	H0302_0_4484	16	0	56175883	D0302_1_43271	22	1		D1001_0_3471	14	0
56172770	G0302_0_4169	8	0	56178591	B0604_0_63758	14	1	56371585	C0102_0_2927	14	0
	G0303_0_4180	15	0	561A0764	B0703_1_65989	8	1		D1001_0_3471	14	0
	H0302_0_4484	17	0	56271457	D0701_2_72962	22	1	56371586	C0102_0_2927	14	0
56172856	F0104_0_3949	9	0	56276359	C0202_2_64535	26.2	1		D1001_0_3471	14	0
56172857	F0104_0_3949	17	0	56276360	C0202_2_64535	26.1	1	56371605	D0401_0_3186	4	0
56172881	B0204_1_63633	48	1	56349629	D0302_1_43271	25	1	56371606	D0401_0_3186	3	0
56172905	G0101_0_3995	17	0		D0504_0_3313	11	1	56371613	D1202_0_3587	10	0
	H0101_0_4286	17	0	56370018	D0901_2_72753	27	1	56371646	D1202_0_3587	5	0
	M0101_1_65511	17	1	56370081	D1102_0_3525	14	0	56371652	D0701_2_72962	1	1

SPARE PARTS INSTANCE INDEX

Code	Parts Table	Pos.	Q.ty	Code	Parts Table	Pos.	Q.ty	Code	Parts Table	Pos.	Q.ty
56371661	D0701_2_72962	26	1	56373163	H0202_0_4405	58	0	56472374	D1401_0_3649	34/1	0
56371662	D0701_2_72962	26	1	56373349	D1102_0_3525	5	0	56472375	D1401_0_3649	34/2	0
56371663	D0701_2_72962	26	1	56373350	D1102_0_3525	5	0	56472376	D1401_0_3649	34/3	0
56371664	D0701_2_72962	26	1	56373440	D0701_2_72962	26	1	56472377	D1401_0_3649	47.1	1
56371666	D0102_0_3082	4	0	56373502	L0301_0_4690	6	0	56472383	D1401_0_3649	35	0
56371667	D0102_0_3082	12	0	56373542	C0202_2_64535	16	1	56472390	D1401_0_3649	43	0
56371668	D0102_0_3082	12	0	56374460	B0703_1_65989	6	1	56570506	M0101_1_65511	22	1
56371669	D0102_0_3082	12	0	56375436	B0703_1_65989	2	1	56571697	D0901_2_72753	21	1
56371670	D0102_0_3082	12	0	56375471	M0101_1_65511	23	1	56571785	G0101_0_3995	12	0
56371708	D0401_0_3186	6	0	56377980	L0302_0_4700	1.4	1		H0101_0_4286	12	0
56371714	D0302_1_43271	12	1	56379286	D0901_2_72753	9	1		M0101_1_65511	12	1
56371715	D0302_1_43271	13	1	56379287	D0901_2_72753	7	1	56571824	L0201_0_4601	1	0
56371917	D0504_0_3313	34	0	56379288	D0901_2_72753	11	1		L0203_0_4662	1	0
56371994	D0102_0_3082	18	0	56379289	D0901_2_72753	10	1	56572156	C0202_2_64535	30	1
	D1001_0_3471	9	0	56379290	D0901_2_72753	8	1	56572337	L0202_0_4630	1	0
56372067	L0201_0_4601	26	0	56470030	D1501_0_3724	29.1	0	56572475	D1501_0_3724	29.2	1
	L0202_0_4630	26	0	56470365	D0504_0_3313	22	0	56572623	D0102_0_3082	22	0
	L0203_0_4662	26	0	56470797	D0504_0_3313	16	0	56572624	D0102_0_3082	23	0
	L0301_0_4690	4	0	56471441	D0601_2_72925	4	1	56572959	H0101_0_4286	39	0
56372086	L0201_0_4601	19	0	56471461	D0701_2_72962	24	1		M0101_1_65511	48	1
	L0202_0_4630	11	0	56471508	D0102_0_3082	17	0	57174884	A0501_0_2443	1.3	0
	L0203_0_4662	19	0		D1001_0_3471	10	0	57371268	F0104_0_3949	42	0
56372282	D1401_0_3649	25	0	56471645	C0202_2_64535	29	1	57371825	A0401_0_2427	8	0
56372346	L0202_0_4630	6	0	56471654	D0601_2_72925	10	1	57371900	A0501_0_2443	2	0
56372474	D1501_0_3724	34	0	56471655	D0701_2_72962	4	1	57374133	B0204_1_63633	3	1
56372952	H0101_0_4286	31	0	56471665	D0102_0_3082	5	0	57374134	B0204_1_63633	4	1
	M0101_1_65511	38	1	56471709	D0401_0_3186	7	0	57374195	B0501_1_42781	18	1
56372953	H0101_0_4286	31	0	56471728	D0201_0_3112	21	0	57374780	B0204_1_63633	33	1
	M0101_1_65511	38	1	56471813	D0302_1_43271	11	1	57375755	B0204_1_63633	32	1
56372954	H0101_0_4286	31	0	56472318	H0101_0_4286	36	0	573A0715	G0101_0_3995	21	1
	M0101_1_65511	38	1		M0101_1_65511	44	1		H0101_0_4286	44	1
56372955	H0101_0_4286	31	0	56472363	D0203_1_43188	4	1	573A0716	B0703_1_65989	10	1
	M0101_1_65511	38	1		D0203_2_72897	4	1	58024193	D0701_2_72962	3	1
56373163	G0202_1_65175	54	1	56472368	D1401_0_3649	32	0	58024194	D0701_2_72962	3	1



SPARE PARTS INSTANCE INDEX

Code	Parts Table	Pos.	Q.ty	Code	Parts Table	Pos.	Q.ty	Code	Parts Table	Pos.	Q.ty
58024195	D0701_2_72962	3	1	58071793	C0202_2_64535	1.2	1	58072510	B0401_0_2718	20	1
58024196	D0701_2_72962	3	1	58071794	C0202_2_64535	1.1	1	58072511	B0401_0_2718	23	1
58045806	B0501_1_42781	7.1	1	58071805	G0101_0_3995	8	0	58072517	B0401_0_2718	22	1
58048002	A0202_0_2373	32	0		H0101_0_4286	8	0	58072520	B0401_0_2718	19	0
58070097	B0301_0_2700	3	0		M0101_1_65511	8	1	58072568	E0302_1_65057	8	1
58070164	D0901_2_72753	5	1	58071806	D1501_0_3724	35	0	58072573	B0401_0_2718	12	0
58070168	D0901_2_72753	25	1	58071998	L0201_0_4601	5	0	58072575	B0401_0_2718	13	0
58070169	D0901_2_72753	2	1		L0203_0_4662	5	0	58072626	L0201_0_4601	15	0
58070198	D1202_0_3587	7	0	58072045	C0202_2_64535	12	1		L0202_0_4630	14	0
58070205	D1202_0_3587	13	0		G0101_0_3995	10	0		L0203_0_4662	15	0
58070366	D0401_0_3186	12	0		H0101_0_4286	10	0	58072642	L0201_0_4601	16	0
58070373	D0504_0_3313	13	0		M0101_1_65511	10	1		L0202_0_4630	15	0
58070390	B0703_1_65989	7	1	58072046	C0202_2_64535	11	1		L0203_0_4662	16	0
58070416	D1501_0_3724	17/1	0	58072074	A0202_0_2373	7/2	0	58072737	B0401_0_2718	10	0
58070426	F0104_0_3949	21	0	58072081	E0201_0_3784	10	0	58072792	D1501_0_3724	17/2	0
58070429	F0104_0_3949	22	0	58072132	G0202_1_65175	16/3	1	58072795	I0102_0_4552	12	0
58070690	A0501_0_2443	17	0		H0202_0_4405	16/3	0	58072796	I0102_0_4552	13	0
58070741	D0901_2_72753	24	1	58072138	G0303_0_4180	20	0	58072797	F0104_0_3949	37	0
	D1402_0_3708	7	0		I0102_0_4552	11	0	58072798	F0104_0_3949	38	0
58070743	C0202_2_64535	1.3	1	58072174	B0703_1_65989	16	1	58072799	G0202_1_65175	16/2	1
58071305	E0302_1_65057	9	1	58072269	G0202_1_65175	35	1		H0202_0_4405	16/4	0
58071307	E0101_0_3772	5	0	58072382	D1401_0_3649	33	0	58072800	G0202_1_65175	16/4	1
58071308	E0101_0_3772	4	0	58072389	D1401_0_3649	23	0		H0202_0_4405	16/2	0
58071313	E0201_0_3784	9	0	58072398	D1401_0_3649	29	0	58072801	F0104_0_3949	27/2	0
58071375	A0202_0_2373	7/1	0	58072399	D1401_0_3649	26	0	58072802	F0104_0_3949	27/1	0
58071534	G0101_0_3995	16	0	58072465	L0201_0_4601	28	0	58072804	F0104_0_3949	36	0
	H0101_0_4286	16	0		L0202_0_4630	31	0	58073018	B0401_0_2718	16	0
	M0101_1_65511	16	1	58072470	G0202_1_65175	16/1	1		H0401_0_4504	12	0
58071552	D0201_0_3112	16	0		H0202_0_4405	16/1	0	58073019	B0401_0_2718	17	0
58071734	D0201_0_3112	22	0	58072484	H0101_0_4286	29	0		H0401_0_4504	13	0
58071757	H0101_0_4286	43	0	58072505	D0701_2_72962	11	1	58073020	H0202_0_4405	38	0
	M0101_1_65511	46	1		D0801_0_3420	10	0	58073156	B0401_0_2718	15	0
58071790	C0102_0_2927	12	0		D0801_1_72999	10	1	58073167	A0202_0_2373	9	1
	D0201_0_3112	27	0	58072509	B0401_0_2718	21	1	58073183	D1501_0_3724	27	0

SPARE PARTS INSTANCE INDEX

Code	Parts Table	Pos.	Q.ty	Code	Parts Table	Pos.	Q.ty	Code	Parts Table	Pos.	Q.ty
58073192	H0101_0_4286	32	0	58170013	C0202_2_64535	28	1	58171706	D0401_0_3186	1	0
	M0101_1_65511	39	1	58170054	D0901_2_72753	4	1	58171707	D0401_0_3186	2	0
58073237	A0501_0_2443	16	0	58170077	C0202_2_64535	24	1	58171749	A0401_0_2427	1	0
58073300	G0202_1_65175	51	1	58170195	D1202_0_3587	3	0	58171761	A0101_1_63226	10	1
	H0202_0_4405	55	0	58170238	A0501_0_2443	3	0		A0102_1_63249	10	1
58073407	D1501_0_3724	38	0	58170243	F0104_0_3949	16	0	58171861	G0101_0_3995	11	0
58073544	H0202_0_4405	39	0	58170344	B0501_1_42781	24	1		H0101_0_4286	11	0
58073548	B0401_0_2718	3	0	58170345	B0501_1_42781	25	1		M0101_1_65511	11	1
58073549	B0401_0_2718	2	0	58170352	G0202_1_65175	41	1	58171868	B0101_0_2468	8	0
58073552	B0401_0_2718	4/2	0		H0202_0_4405	45	0	58171901	A0501_0_2443	20	0
58073553	B0401_0_2718	4/1	0	58170376	B0501_1_42781	14	1	58172010	G0202_1_65175	21	1
58073554	B0401_0_2718	5	0		H0401_0_4504	6	0	58172011	G0202_1_65175	21.2	1
58073596	E0201_0_3784	1	0	58170420	A0202_0_2373	16	0		G0302_0_4169	2	0
58073646	B0401_0_2718	6/1	0	58170436	B0101_0_2468	9	0		G0303_0_4180	1.2	0
58073647	B0401_0_2718	6/2	0	58170449	L0201_0_4601	11	0		I0102_0_4552	1	0
58073788	D0601_2_72925	18	1		L0202_0_4630	18	0	58172012	G0303_0_4180	1.3	0
58074092	D1401_0_3649	24	0		L0203_0_4662	11	0		I0102_0_4552	3	0
58074109	D0701_2_72962	3	1	58170453	B0501_1_42781	6.1	1	58172013	I0102_0_4552	4	0
58074220	B0401_0_2718	8	0		E0302_1_65057	1.1	1	58172014	I0102_0_4552	5	0
58074222	B0401_0_2718	9	0	58170571	E0302_1_65057	2.2	1	58172015	G0202_1_65175	20	1
58074223	B0401_0_2718	7	0	58170572	E0302_1_65057	2.1	1		H0202_0_4405	20	0
58074344	D1501_0_3724	17/3	0	58170580	A0101_1_63226	8	1	58172016	G0302_0_4169	4	0
58074377	E0101_0_3772	1	0		A0102_1_63249	8	1		G0303_0_4180	5/2	0
58074380	B0401_0_2718	1/1	0	58170947	E0302_1_65057	10	1		H0302_0_4484	5/2	0
58074381	B0401_0_2718	1/2	0	58170968	B0301_0_2700	12	0	58172043	B0501_1_42781	13	1
58074420	A0202_0_2373	8/1	0	58171029	A0401_0_2427	1.6	0	58172155	C0202_2_64535	34	1
58074421	A0202_0_2373	8/2	0	58171212	A0501_0_2443	19	0	58172267	B0501_1_42781	6.2	1
58074690	A0202_0_2373	8/3	0	58171558	D0201_0_3112	11	0		E0302_1_65057	1.2	1
58075372	G0202_1_65175	34	1	58171559	D0201_0_3112	12	0	58172274	G0303_0_4180	1	0
58075777	B0501_1_42781	6	1	58171567	D1102_0_3525	10	0	58172304	G0202_1_65175	21.1	1
	E0302_1_65057	1	1	58171596	D0302_1_43271	2	1		G0302_0_4169	1	0
58076059	E0302_1_65057	2/2	1		D0504_0_3313	2	0		G0303_0_4180	1.1	0
58076060	E0302_1_65057	2/1	1	58171653	D1102_0_3525	11	0		H0202_0_4405	21	0
58076077	B0401_0_2718	24	1	58171673	D0102_0_3082	1	0		H0302_0_4484	1	0



SPARE PARTS INSTANCE INDEX

Code	Parts Table	Pos.	Q.ty	Code	Parts Table	Pos.	Q.ty	Code	Parts Table	Pos.	Q.ty
58172304	I0102_0_4552	8	0	58173118	H0401_0_4504	4.1	0	58174414	F0104_0_3949	33/1	1
58172350	D1401_0_3649	41	0	58173119	B0501_1_42781	24.2	1	58175700	E0302_1_65057	19	1
58172351	D1401_0_3649	41.1	0		B0501_1_42781	25.2	1	58175769	B0501_1_42781	11	1
58172400	D1401_0_3649	18	0		H0401_0_4504	5.2	0	58175770	B0501_1_42781	12	1
58172402	D1401_0_3649	19	0	58173120	B0501_1_42781	24.3	1	58175771	B0501_1_42781	10	1
58172447	D1401_0_3649	20	0	58173121	B0501_1_42781	25.3	1	58175773	E0201_0_3784	2	1
58172448	D1401_0_3649	21	0	58173122	H0401_0_4504	5.3	0	58175937	D0701_2_72962	10	1
58172463	D1501_0_3724	2	0	58173123	H0401_0_4504	4.2	0	58176290	A0301_1_63276	1.1	1
	E0302_1_65057	16	1	58173143	H0202_0_4405	22	0	58176294	L0201_0_4601	10	1
58172489	G0202_1_65175	21.3	1		H0302_0_4484	2	0		L0202_0_4630	17	1
	G0302_0_4169	3	0		I0102_0_4552	10	0	58176717	F0104_0_3949	1	1
	G0303_0_4180	3	0	58173144	H0401_0_4504	1	0	58177722	B0602_0_63791	1	1
	H0302_0_4484	3	0	58173361	G0303_0_4180	1.4	0	58177758	F0104_0_3949	33/2	1
	I0102_0_4552	9	0	58173399	D1501_0_3724	12	0	58178703	A0301_1_63276	1	1
58172490	G0202_1_65175	21.4	1		E0302_1_65057	17	1	58178731	A0301_1_63276	1.2	1
	G0303_0_4180	5/1	0	58173437	B0604_0_63758	4	1	58178960	D0504_0_3313	29	1
	H0302_0_4484	5/1	0	58173442	A0101_1_63226	1.4	1	58179262	D0701_2_72962	8	1
58172571	D0801_0_3420	11	0		A0102_1_63249	1.4	1	58179667	W0101_0_65465	1/1	1
	D0801_1_72999	11	1	58173493	C0202_2_64535	37	1	58179668	W0101_0_65465	1/2	1
58172589	D1501_0_3724	21/2	0	58173495	C0102_0_2927	5	0	58179928	D0601_2_72925	7	1
	H0202_0_4405	35	0	58173636	G0202_1_65175	1	1	58192377	B0602_0_63791	3	1
58172607	G0202_1_65175	48/1	1		H0202_0_4405	1	0		B0604_0_63758	13	1
	H0202_0_4405	52/1	0	58173790	D0701_2_72962	5	1	581A0108	C0302_1_72740	3	1
58172707	I0102_0_4552	2	0		D0801_0_3420	4	0	581A0143	W0101_0_65465	14.1	1
58172773	A0401_0_2427	1.1	0		D0801_1_72999	4	1	581A0144	W0101_0_65465	14.2	1
58172907	G0202_1_65175	48/2	1	58173792	D0801_0_3420	5	0	581A0152	W0101_0_65465	10.1	1
	H0202_0_4405	52/2	0		D0801_1_72999	5	1	581A0153	W0101_0_65465	10.2	1
58172978	H0401_0_4504	3	0	58173797	D0701_2_72962	18	1	581A0158	W0101_0_65465	7.1	1
58172979	H0401_0_4504	4	0	58173864	H0401_0_4504	11/1	0	581A0159	W0101_0_65465	7.2	1
58172980	H0401_0_4504	5	0	58173865	H0401_0_4504	11/2	0	581A0367	W0101_0_65465	1.1	1
58172982	H0401_0_4504	9	0	58173866	H0401_0_4504	2	0	581A0368	W0101_0_65465	1.2	1
58173116	B0501_1_42781	24.1	1	58174019	F0104_0_3949	41	0	581A0379	B0501_1_42781	2	1
	B0501_1_42781	25.1	1	58174192	D0901_2_72753	1	1	581A0460	D0701_2_72962	2	2
58173117	H0401_0_4504	5.1	0	58174356	A0301_1_63276	11	1	59070421	A0202_0_2373	17	0



SPARE PARTS INSTANCE INDEX

Code	Parts Table	Pos.	Q.ty	Code	Parts Table	Pos.	Q.ty	Code	Parts Table	Pos.	Q.ty
59070422	A0202_0_2373	15	0	59072088	B0703_1_65989	22	1	59072826	G0202_1_65175	52	1
59070423	A0202_0_2373	24	0	59072114	B0301_0_2700	13	0		H0202_0_4405	56	0
59070448	L0201_0_4601	12	0	59072131	B0301_0_2700	6/2	0	59072870	B0204_1_63633	49	1
	L0202_0_4630	19	0	59072140	B0301_0_2700	7/2	0	59072874	B0204_1_63633	50	1
	L0203_0_4662	12	0	59072145	G0202_1_65175	17/1	1	59072893	G0202_1_65175	39/2	1
59070591	B0301_0_2700	10	0		H0202_0_4405	17/1	0		H0202_0_4405	43/2	0
59070592	B0204_1_63633	52	1	59072275	L0202_0_4630	5	0	59072975	F0104_0_3949	2	0
59071147	B0301_0_2700	1	0	59072276	L0202_0_4630	4	0	59073021	H0302_0_4484	10	0
59071241	B0602_0_63791	13	1	59072330	L0202_0_4630	10	0	59073045	L0201_0_4601	4	0
59071251	F0104_0_3949	6	0	59072334	L0202_0_4630	9	0	59073060	H0401_0_4504	7	0
59071266	B0204_1_63633	46	1	59072347	L0202_0_4630	13	0	59073066	D0504_0_3313	24	0
59071518	D0102_0_3082	21	0	59072408	G0202_1_65175	42	1	59073151	L0301_0_4690	8	0
	D1001_0_3471	12	0		H0202_0_4405	46	0	59073160	G0202_1_65175	33	1
59071640	D0302_1_43271	9	1	59072410	G0202_1_65175	39/1	1		H0202_0_4405	34	0
59071771	G0101_0_3995	14	0		H0202_0_4405	43/1	0	59073373	L0301_0_4690	7	0
	H0101_0_4286	14	0	59072431	D0504_0_3313	9	0	59073374	L0301_0_4690	9	0
59071783	G0101_0_3995	13	0	59072432	D0504_0_3313	28	0	59074179	D0901_2_72753	19/1	1
	H0101_0_4286	13	0	59072435	D0504_0_3313	7	0	59074180	D0901_2_72753	18/1	1
	M0101_1_65511	13	1	59072491	A0501_0_2443	10	0	59074181	D0901_2_72753	20	1
59071786	G0101_0_3995	19	0	59072739	F0104_0_3949	10	0	59074274	A0301_1_63276	5	1
	H0101_0_4286	19	0	59072753	D1402_0_3708	1/2	0	59074276	A0101_1_63226	2	1
	M0101_1_65511	19	1	59072754	D1402_0_3708	1/1	0		A0102_1_63249	2	1
59071807	L0203_0_4662	4	0	59072761	D1402_0_3708	4	0	59074277	A0102_1_63249	7	1
59071912	D0504_0_3313	21	0	59072779	D1501_0_3724	20	0	59074278	A0101_1_63226	7	1
59071916	D0504_0_3313	39	0	59072780	D1501_0_3724	18/1	0	59074279	A0401_0_2427	7/1	0
59071918	D0504_0_3313	41	0	59072782	D1501_0_3724	18/2	0	59074285V	B0204_1_63633	12	1
59071921	D0504_0_3313	37	0	59072783	D1501_0_3724	19	0	59074286V	B0204_1_63633	13	1
59071955	B0301_0_2700	7/1	0	59072785	G0202_1_65175	17/2	1	59074303	A0202_0_2373	1	0
59071956	B0301_0_2700	6/1	0		H0202_0_4405	17/2	0	59074308	A0401_0_2427	7/2	0
59072057	G0202_1_65175	25	1	59072787	G0303_0_4180	13	0	59074317	D0504_0_3313	26	0
	G0303_0_4180	4	0		H0302_0_4484	14	0	59074326	B0204_1_63633	34	1
	H0202_0_4405	29	0	59072788	D1501_0_3724	14	0	59074327	B0204_1_63633	35	1
	H0302_0_4484	4	0	59072790	D1501_0_3724	16/1	0	59074343	D1501_0_3724	16/3	0
59072087	B0703_1_65989	21	1	59072791	D1501_0_3724	16/2	0	59074354	A0202_0_2373	2/1	0



SPARE PARTS INSTANCE INDEX

Code	Parts Table	Pos.	Q.ty	Code	Parts Table	Pos.	Q.ty	Code	Parts Table	Pos.	Q.ty
59074355	A0202_0_2373	2/2	0	59076181	B0301_0_2700	6/4	1	59273944	D1102_0_3525	9/2	0
59074357	A0202_0_2373	27	0	59076182	B0301_0_2700	7/4	1	59274025	C0202_2_64535	1	1
59074391	B0204_1_63633	21	1	59076413	B0204_1_63633	6/1	1	59275705	D0302_1_43271	15	1
59074412	G0202_1_65175	10	1	59076414	B0204_1_63633	6/2	1	59275946	D1401_0_3649	30	1
	H0202_0_4405	10	0	59076428V	B0204_1_63633	1/1	1	59279819	C0202_2_64535	26	1
59074413	G0202_1_65175	6	1	59076432V	B0204_1_63633	2/1	1	59371466	D0102_0_3082	13	0
	H0202_0_4405	6	0	59077134V	B0204_1_63633	1/2	1	59373783	D1001_0_3471	4/1	1
59074664	H0202_0_4405	36	0	59077135V	B0204_1_63633	2/2	1	59375017	L0302_0_4700	1	0
59074779	B0204_1_63633	14	1	59078588	L0201_0_4601	27/2	1	59379589	D1501_0_3724	29	1
59075012	L0302_0_4700	1.3	0		L0202_0_4630	22/2	1	593A0890	D1001_0_3471	4/2	1
59075081	B0204_1_63633	29	1		L0203_0_4662	27/2	1	59900144	A0401_0_2427	1.2	0
59075283	B0101_0_2468	18	1	59079728	D0601_2_72925	20	1	59900145	A0401_0_2427	1.3	0
59075386	G0202_1_65175	30	1	590A0702	B0703_1_65989	1	1	59900146	A0401_0_2427	1.4	0
59075467	M0101_1_65511	21	1	590A0705	B0703_1_65989	25	1	59900147	A0401_0_2427	1.5	0
59075476	M0101_1_65511	29	1	590A0708	B0703_1_65989	19	1	59900152	B0602_0_63791	15	1
59075512	M0101_1_65511	14	1	590A0728	L0201_0_4601	21/2	1	59900153	B0602_0_63791	9	1
59075593	G0303_0_4180	10	1		L0202_0_4630	23/2	1	59900154	B0602_0_63791	8	4
59075704	D0302_1_43271	17	1		L0203_0_4662	21/2	1	59900155	B0602_0_63791	7/1	1
59075706	D0302_1_43271	20	1	590A0885	C0302_1_72740	10	1	59900156	B0602_0_63791	6	1
59075707	D0302_1_43271	5	1	59271011	D1501_0_3724	3	0	59900157	B0602_0_63791	11	1
59075708	D0302_1_43271	4	1	59271501	D0201_0_3112	10	0	59900158	B0602_0_63791	10	18
59075711	C0202_2_64535	20	1	59271720	D0201_0_3112	31	0	59900159	B0602_0_63791	5	1
59075712	C0202_2_64535	22	1	59271729	W0101_0_65465	10/1	1	59900160	B0602_0_63791	12	1
59075740	D0302_1_43271	23/1	1	59271732	W0101_0_65465	7/1	1	59900161	B0602_0_63791	14	1
59075741	D0302_1_43271	23/2	1	59271888	W0101_0_65465	14/1	4	59900178	F0104_0_3949	41.1	0
59075751	B0204_1_63633	31	1	59272323	L0202_0_4630	3	0	59900180	G0101_0_3995	16.1	0
59075756	B0204_1_63633	30	1	59272425	D1401_0_3649	47	0		H0101_0_4286	16.1	0
59075765	B0301_0_2700	16	1	59272426	D1401_0_3649	16	0	59900181	G0101_0_3995	16.2	0
59075766	B0301_0_2700	17	1	59272488	D0203_1_43188	5/2	1		H0101_0_4286	16.2	0
59076058	C0202_2_64535	8	1		D0203_2_72897	5/2	1	59900183	B0604_0_63758	5	1
59076061	D0302_1_43271	1	1	59273878	D1102_0_3525	9/1	0	59900184	B0604_0_63758	6	1
59076160	M0101_1_65511	27	1	59273937	W0101_0_65465	10/2	1	59900185	B0604_0_63758	7	1
59076171	B0301_0_2700	7/3	1	59273938	W0101_0_65465	7/2	1	59900186	B0604_0_63758	8	1
59076172	B0301_0_2700	6/3	1	59273939	W0101_0_65465	14/2	1	59900187	B0604_0_63758	9	1



SPARE PARTS INSTANCE INDEX

Code	Parts Table	Pos.	Q.ty	Code	Parts Table	Pos.	Q.ty	Code	Parts Table	Pos.	Q.ty
59900192	A0101_1_63226	1.1	1	F0256612913	G0202_1_65175	9	1	F0802187050	D0201_0_3112	2	0
	A0102_1_63249	1.1	1		H0202_0_4405	9	0	F0802190010	D0102_0_3082	8	0
59900193	A0101_1_63226	1.2	1	F0256808000	B0204_1_63633	42	1		D1401_0_3649	12	0
	A0102_1_63249	1.2	1	F0256809050	A0301_1_63276	8	1	F0802700150	D1102_0_3525	1	0
59900194	A0101_1_63226	1.3	1	F0800056050	D0203_1_43188	6	1	F0803072050	D1501_0_3724	30	0
	A0102_1_63249	1.3	1		D0203_2_72897	6	1	F0803185000	F0104_0_3949	32	0
59900195	A0101_1_63226	1.6	1	F0801028000	D0201_0_3112	23	0		G0202_1_65175	5	1
59900196	A0102_1_63249	1.6	1	F0801050000	M0101_1_65511	26	1		H0202_0_4405	5	0
59900199	B0604_0_63758	1	1	F0801094000	D0201_0_3112	28	0	F0803186000	D0401_0_3186	5	0
59900224	D0201_0_3112	1	0	F0801095000	D0504_0_3313	33	0		D1401_0_3649	45	0
59900225	H0202_0_4405	22.3	0	F0801130050	D0504_0_3313	40	0	F0803204000	D1501_0_3724	31	0
59900231	H0202_0_4405	22.1	0	F0801149010	G0101_0_3995	18	0	F0803209000	D1202_0_3587	2	0
59900232	H0202_0_4405	22.2	0		H0101_0_4286	18	0	F0803286045	D1401_0_3649	37	0
59900242	E0302_1_65057	1.3	1		M0101_1_65511	18	1	F0804051000	D0504_0_3313	27	0
59900247	F0104_0_3949	41.2	0	F0801156050	D0203_1_43188	3	1	F0806533000	D0302_1_43271	21	1
59900248	B0101_0_2468	1/1	0		D0203_2_72897	3	1		D0504_0_3313	8	0
59900249	B0101_0_2468	1/2	0	F0801175050	D0102_0_3082	25	0	F0808060100	L0201_0_4601	22	0
59900250	B0101_0_2468	1/3	0		D1001_0_3471	20	0		L0202_0_4630	24	0
59900251	B0101_0_2468	1/4	0	F0801241010	D0201_0_3112	9	0		L0203_0_4662	22	0
59901049	B0602_0_63791	4	1		D0601_2_72925	1	1	F0808518050	B0401_0_2718	11	0
59901050	B0602_0_63791	2	1		D1401_0_3649	13	0	F0810505010	A0202_0_2373	23	0
59901293	W0101_0_65465	14/3	1	F0801264050	D1401_0_3649	8	0	F0810510000	D0302_1_43271	10	1
59901294	W0101_0_65465	1.3	1		G0101_0_3995	15	0		D0401_0_3186	8	0
59901295	W0101_0_65465	7.3	1		H0101_0_4286	15	0		D0504_0_3313	17	0
	W0101_0_65465	10.3	1		M0101_1_65511	15	1	F0810617050	L0202_0_4630	7	0
F0060031247	L0203_0_4662	10	0	F0801266000	D0601_2_72925	14	4	F0812525100	D1401_0_3649	5	0
F0150010905	W0101_0_65465	11	1	F0801266050	D0601_2_72925	8	2	F0812578050	D0203_1_43188	2	1
F0150036216	B0604_0_63758	2	1	F0801280100	D0701_2_72962	9	1		D0203_2_72897	2	1
F0150036219	B0604_0_63758	3	1	F0801297000	G0303_0_4180	26	0	F0812599090	D1401_0_3649	7	0
F0190018909	E0201_0_3784	11	0		I0102_0_4552	19	0	F0812631000	D1001_0_3471	3	0
F0190031203	L0201_0_4601	21/1	1	F0801331050	D0601_2_72925	19	1	F0812686100	D0701_2_72962	14	1
	L0202_0_4630	23/1	1	F0801346000	D1102_0_3525	6	0	F0812689000	D0801_0_3420	6	0
	L0203_0_4662	21/14	1	F0801346200	D0601_2_72925	12	4		D0801_1_72999	6	2
F0190035152	E0302_1_65057	21	1	F0801408000	D0201_0_3112	4	0	F0812709000	D0801_0_3420	2	0

SPARE PARTS INSTANCE INDEX

Code	Parts Table	Pos.	Q.ty	Code	Parts Table	Pos.	Q.ty	Code	Parts Table	Pos.	Q.ty
F0812732080	D0701_2_72962	16	1	F0814647000	C0202_2_64535	5	1	F0824812000	A0101_1_63226	1.5	1
F0812736010	D0601_2_72925	15	1	F0814689020	D0401_0_3186	13	0		A0102_1_63249	1.5	1
	D1401_0_3649	15	0		D0504_0_3313	20	0	F0825115010	B0501_1_42781	9	1
F0812737000	D0601_2_72925	5	3	F0814689050	D0201_0_3112	7	0	F0825139000	E0302_1_65057	1.4	1
F0812747000	C0202_2_64535	25	1	F0814695000	C0302_1_72740	5	1	F0825400060	B0501_1_42781	8	1
F0812750000	D0601_2_72925	2	1	F0814797000	D1401_0_3649	46	0	F0825403050	B0501_1_42781	17	1
F0812849100	D1401_0_3649	10	0	F0817512000	A0501_0_2443	15	0	F0825404050	E0101_0_3772	2	0
F0812871030	D0701_2_72962	21	2	F0817514000	G0202_1_65175	8	1	F0825414000	E0302_1_65057	14	1
F0812895000	C0102_0_2927	13	0		H0202_0_4405	8	0	F0825417000	E0101_0_3772	9	0
	D1001_0_3471	13	0	F0817523010	H0202_0_4405	44	0	F0825420500	E0101_0_3772	6	0
F0812918050	D0701_2_72962	13	1	F0817530200	G0202_1_65175	40	1	F0825420560	E0101_0_3772	6.1	0
	D0801_0_3420	8	0	F0817535000	A0301_1_63276	2	1	F0825420600	E0302_1_65057	11	1
	D0801_1_72999	8	1	F0817568000	A0401_0_2427	5	0	F0825420660	E0302_1_65057	11.1	1
F0812973000	D1102_0_3525	2	0	F0817568100	A0401_0_2427	6	0	F0825436000	B0501_1_42781	6.3	1
F0814525000	A0101_1_63226	15	1	F0819180080	D0201_0_3112	25	0		E0302_1_65057	1.5	1
	A0102_1_63249	15	1	F0822537050	D0302_1_43271	3	1	F0825436003	B0501_1_42781	6.4	1
	E0201_0_3784	7	0		D0504_0_3313	14	0		E0302_1_65057	1.6	1
	E0302_1_65057	5	1	F0824022000	F0104_0_3949	31	0	F0825438000	E0302_1_65057	3	1
F0814529080	E0101_0_3772	7	0		G0202_1_65175	15	1	F0825469050	E0201_0_3784	8	0
	E0302_1_65057	13	1		H0202_0_4405	15	0	F0825488000	E0302_1_65057	7	1
F0814535050	H0101_0_4286	42	0	F0824110000	C0202_2_64535	15	1	F0825493000	E0302_1_65057	20	1
F0814569000	M0101_1_65511	24	1		D1501_0_3724	22	0	F0825718000	G0202_1_65175	45	1
F0814574000	A0501_0_2443	7	0		F0104_0_3949	20	0		H0202_0_4405	49	0
	B0204_1_63633	10	1		G0202_1_65175	31	1	F0825718010	G0202_1_65175	45.1	1
	C0202_2_64535	36	1		G0303_0_4180	12	0		H0202_0_4405	49.1	0
	D0102_0_3082	2	0		G0303_0_4180	19	0	F0825718020	G0202_1_65175	45.2	1
	D1401_0_3649	51	0		H0202_0_4405	33	0		H0202_0_4405	49.2	0
F0814585000	A0401_0_2427	3	0		H0302_0_4484	12	0	F0825809000	F0104_0_3949	28	0
	B0101_0_2468	10	0		I0102_0_4552	7	0		G0202_1_65175	13	1
F0814621000	C0202_2_64535	9	1	F0824141000	F0104_0_3949	26	0		H0202_0_4405	13	0
F0814627000	D0302_1_43271	14	1		G0303_0_4180	24	0	F0825980030	G0303_0_4180	25	0
	D0504_0_3313	35	0		I0102_0_4552	17	0		I0102_0_4552	18	0
	H0101_0_4286	26	0	F0824185000	G0202_1_65175	46	1	F0826056000	C0202_2_64535	10	1
F0814629010	B0101_0_2468	6	0		H0202_0_4405	50	0		G0101_0_3995	2	0

SPARE PARTS INSTANCE INDEX

Code	Parts Table	Pos.	Q.ty
F0826056000	H0101_0_4286	2	0
	L0302_0_4700	1.6	0
	M0101_1_65511	2	1
F0831125000	A0202_0_2373	6	0
F0834378001	A0101_1_63226	1.7	1
	A0102_1_63249	1.7	1
	E0201_0_3784	4	0
F0835023000	G0202_1_65175	29	1
	G0303_0_4180	18	0
	I0102_0_4552	6	0
F0835040020	G0303_0_4180	23	0
	I0102_0_4552	16	0
F0835040030	F0104_0_3949	25	0
F0837534010	D1402_0_3708	6	0
	G0202_1_65175	24	1
	G0302_0_4169	9	0
	G0303_0_4180	17	0
	H0202_0_4405	28	0
	H0302_0_4484	18	0
F0838166018	D1401_0_3649	50	0
F0838475000	C0102_0_2927	11	0
	C0202_2_64535	3	1
F0838535050	C0202_2_64535	4	1
F0838660000	C0302_1_72740	4	1
F0842505010	F0104_0_3949	19	0
F0842512000	F0104_0_3949	24	0
F0842519050	G0202_1_65175	57	1
F0843102000	D1501_0_3724	25	0
F0843107000	D1501_0_3724	23	0
	G0202_1_65175	36	1
	G0303_0_4180	21	0
	H0202_0_4405	40	0
	I0102_0_4552	14	0
F0843109000	F0104_0_3949	39	0

Code	Parts Table	Pos.	Q.ty
F0843109020	D1501_0_3724	21/1	0
	F0104_0_3949	18	0
	G0202_1_65175	32	1
	G0303_0_4180	11	0
	H0202_0_4405	32	0
	H0302_0_4484	11	0
F0843116000	F0104_0_3949	23	0
F0843526000	D1501_0_3724	28	0
F0843561000	A0101_1_63226	14	1
	A0102_1_63249	14	1
	E0201_0_3784	6	0
F0843570000	A0202_0_2373	31	0
	A0301_1_63276	6	1
	B0204_1_63633	26	1
	B0301_0_2700	20	1
	B0501_1_42781	22	1
	D1501_0_3724	6	0
	D1501_0_3724	11	0
	G0202_1_65175	12	1
	H0101_0_4286	23	0
	H0202_0_4405	12	0
	M0101_1_65511	35	1
F0843578010	B0204_1_63633	47	1
F0843605010	B0501_1_42781	21	1
F0843641000	D1401_0_3649	49	0
	D1501_0_3724	36	0
F0843643060	A0101_1_63226	12	1
	A0102_1_63249	12	1
	A0202_0_2373	5	0
	B0204_1_63633	9	1
	B0703_1_65989	24	1
	B0703_1_65989	26	1
	D0504_0_3313	31	0
	D1402_0_3708	2/1	0

Code	Parts Table	Pos.	Q.ty
F0843643060	D1402_0_3708	2/2	0
	D1501_0_3724	9	0
	F0104_0_3949	13	0
	G0202_1_65175	28	1
	G0302_0_4169	5	0
	G0303_0_4180	7	0
	H0202_0_4405	24	0
	H0302_0_4484	7	0
	L0201_0_4601	14	0
	L0202_0_4630	21	0
	L0203_0_4662	14	0
F0843696000	B0604_0_63758	12	6
F0843755000	A0301_1_63276	10	1
	A0501_0_2443	12	0
	B0101_0_2468	7	0
	B0204_1_63633	16	1
	C0102_0_2927	10	0
	C0202_2_64535	7	1
	D0302_1_43271	8	1
	D0504_0_3313	6	0
	F0104_0_3949	5	0
F0843755050	D0504_0_3313	43	0
F0843771000	D1501_0_3724	26	0
F0843815010	B0204_1_63633	51	1
F0843818000	B0204_1_63633	17	1
F0843841000	D1501_0_3724	13	0
	E0302_1_65057	18	1
F0843843060	A0101_1_63226	6	1
	A0102_1_63249	6	1
	B0301_0_2700	9	0
	B0301_0_2700	15	0
	L0201_0_4601	8	0
	L0202_0_4630	30	0
	L0203_0_4662	8	0



SPARE PARTS INSTANCE INDEX

Code	Parts Table	Pos.	Q.ty	Code	Parts Table	Pos.	Q.ty	Code	Parts Table	Pos.	Q.ty
F0843907000	D1501_0_3724	24	0	F0851018000	D1401_0_3649	40	0	F0861929060	H0101_0_4286	27	0
	G0202_1_65175	37	1	F0851159050	A0202_0_2373	25	0		H0401_0_4504	8	0
	G0303_0_4180	22	0	F0851180000	D0901_2_72753	17	1	F0861941000	E0302_1_65057	4	1
	H0202_0_4405	41	0	F0851226000	D1401_0_3649	31	0	F0861972000	F0104_0_3949	7	0
	I0102_0_4552	15	0	F0851260000	D1202_0_3587	12	0	F0862090000	D1102_0_3525	8	0
F0843921030	B0101_0_2468	16	0	F0851267050	D1202_0_3587	6	0	F0862210000	C0202_2_64535	44	1
F0843927050	A0202_0_2373	19	0	F0851318000	B0703_1_65989	15	1	F0862345000	D1501_0_3724	5	0
F0843948000	D1501_0_3724	4	0	F0851486000	L0201_0_4601	17	0		G0202_1_65175	11	1
	F0104_0_3949	40	0		L0202_0_4630	12	0		H0202_0_4405	11	0
F0843993060	W0101_0_65465	19	1		L0203_0_4662	17	0	F0862443010	H0101_0_4286	37	0
F0844030070	E0201_0_3784	3	0		L0301_0_4690	3	0		M0101_1_65511	45	1
F0844150000	W0101_0_65465	3	3		L0302_0_4700	1.5	0	F0862448100	D1401_0_3649	48	0
F0844200050	D1501_0_3724	33	0	F0851497000	B0101_0_2468	19	1		D1501_0_3724	37	0
F0844273090	C0102_0_2927	4	0		L0201_0_4601	23	0	F0862462010	F0104_0_3949	30	0
	D1102_0_3525	15	0		L0202_0_4630	25	0		G0202_1_65175	14	1
F0844283020	L0201_0_4601	2	0		L0203_0_4662	23	0		H0202_0_4405	14	0
	L0203_0_4662	2	0		L0301_0_4690	2	0	F0862464050	A0501_0_2443	21	0
F0847434000	D0901_2_72753	23	1	F0852516020	D1202_0_3587	16	0	F0862473050	D1401_0_3649	44	0
	D1402_0_3708	8	0	F0852550010	G0303_0_4180	27	0	F0862479020	B0501_1_42781	15	1
F0848635000	W0101_0_65465	5	1		I0102_0_4552	20	0	F0862479030	B0204_1_63633	7	1
F0848648000	W0101_0_65465	6	1	F0852578050	C0202_2_64535	14	1	F0862479035	A0202_0_2373	29	0
F0848655000	W0101_0_65465	9	1	F0852578060	H0302_0_4484	13	0	F0862481000	B0703_1_65989	11	1
F0848672100	W0101_0_65465	16	1	F0852589000	G0202_1_65175	55	1	F0862488000	B0703_1_65989	23	1
F0848679600	W0101_0_65465	13	4		H0202_0_4405	59	0	F0862495010	B0604_0_63758	11	4
F0848844000	W0101_0_65465	15	1	F0854067050	B0401_0_2718	14	0	F0862593050	C0202_2_64535	35	1
F0848855000	W0101_0_65465	8	1	F0858021000	A0202_0_2373	10	0	F0862655000	D1102_0_3525	13	0
F0848887000	W0101_0_65465	4	1	F0860090000	D0302_1_43271	19	1	F0862657000	D0102_0_3082	3	0
F0849206005	A0301_1_63276	4	1		D0504_0_3313	36	0	F0862694000	D0901_2_72753	28	1
F0849211010	B0101_0_2468	5	0	F0860091010	D0504_0_3313	25	0	F0862785000	F0104_0_3949	15	0
F0849500001	A0501_0_2443	1.1	0	F0861867050	A0501_0_2443	4	0	F0863097150	A0501_0_2443	8	0
F0849500002	A0501_0_2443	1.2	0	F0861929060	A0101_1_63226	13	1	F0863105000	C0202_2_64535	13	1
F0850104000	D0201_0_3112	20	0		A0102_1_63249	13	1		D0901_2_72753	22	1
F0850104010	D0201_0_3112	20	0		D0901_2_72753	32	1	F0863114000	B0501_1_42781	19	1
F0850104020	D0201_0_3112	20	0		E0201_0_3784	5	0	F0863267050	C0202_2_64535	23	1

SPARE PARTS INSTANCE INDEX

Code	Parts Table	Pos.	Q.ty
F0863267050	D0102_0_3082	14	0
	D1001_0_3471	5	0
F0863328000	B0204_1_63633	45	1
	F0104_0_3949	8	0
	G0101_0_3995	7	0
F0863350000	B0703_1_65989	13	1
F0863358000	H0101_0_4286	7	0
	M0101_1_65511	7	1
F0863359000	C0202_2_64535	2	1
F0863449000	D0302_1_43271	7	1
F0864309100	B0301_0_2700	4	0
F0864314000	W0101_0_65465	18	1
F0864322100	M0101_1_65511	36	1
F0864351050	B0101_0_2468	13	0
F0864410500	W0101_0_65465	2	3
F0865040000	B0501_1_42781	1	1
F0865040010	B0501_1_42781	26	1
F0907170114	B0401_0_2718	18/1	0
F0907170115	B0401_0_2718	18/2	0
F1000005108	E0101_0_3772	3	0
P241171000000	G0202_1_65175	56	1
	H0202_0_4405	37	0
P295332000000	A0202_0_2373	26	0
P950431000000	D0302_1_43271	24	1